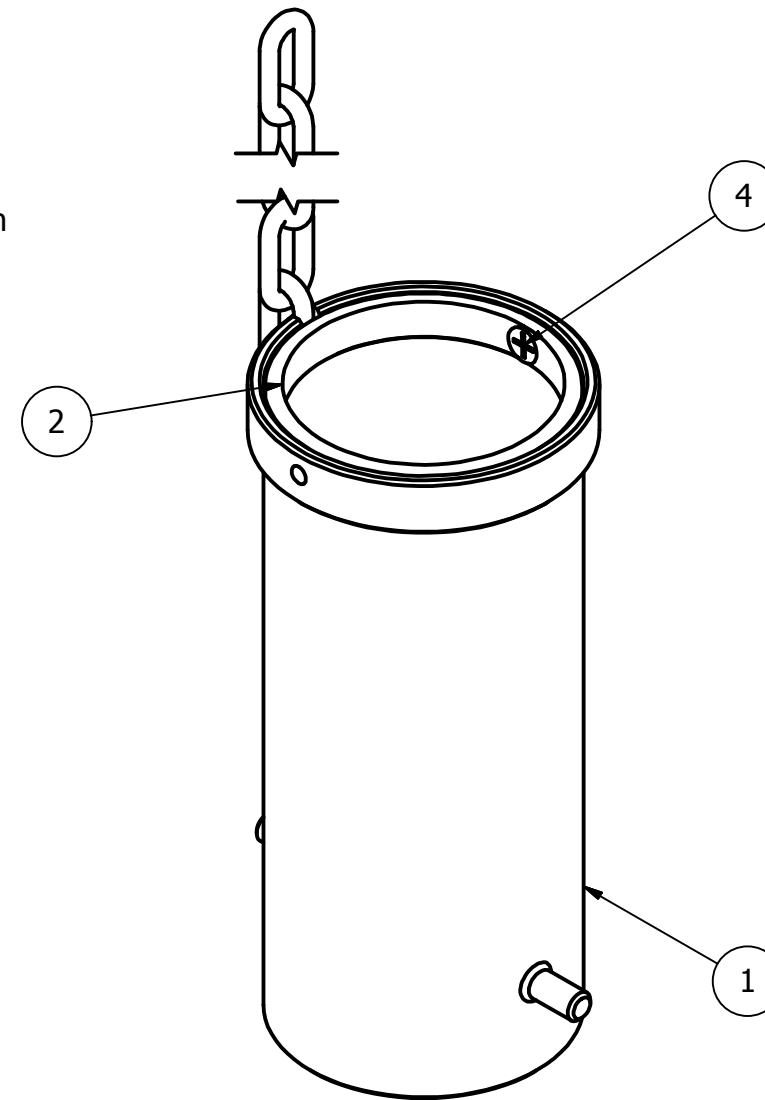
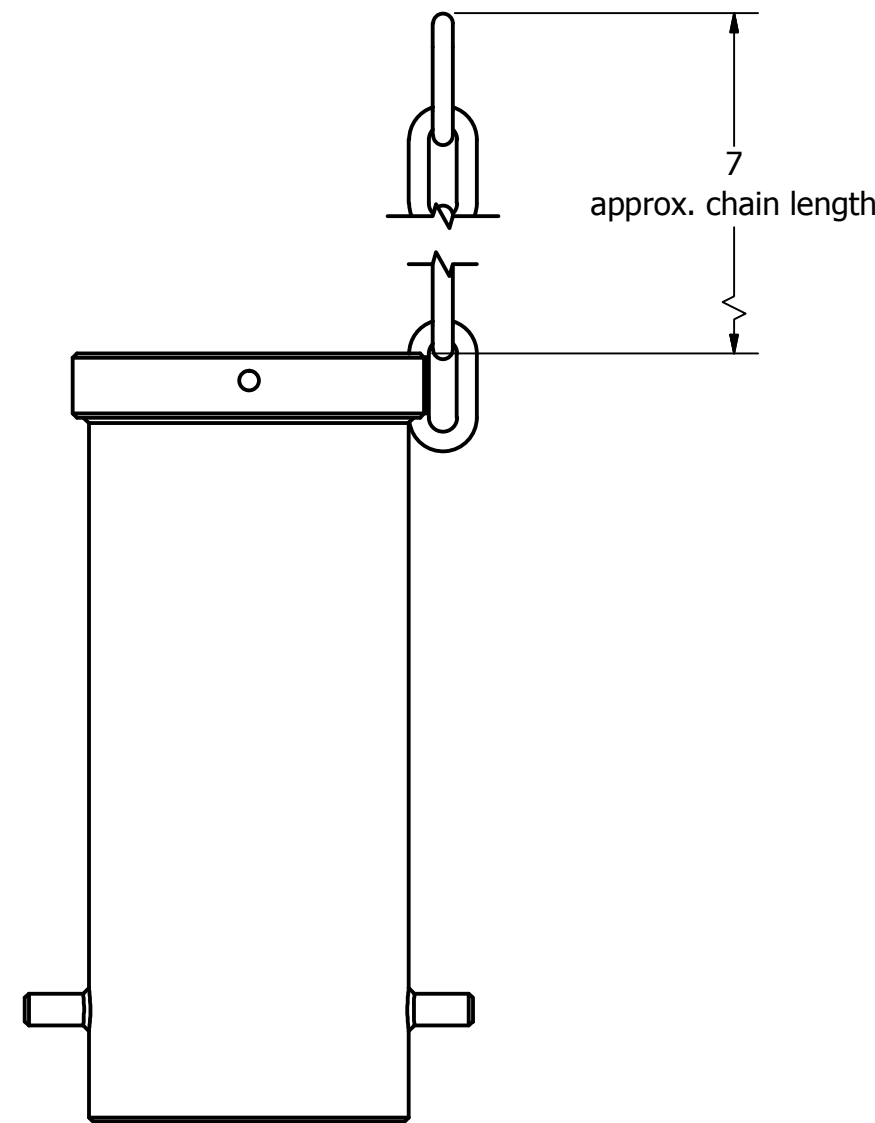
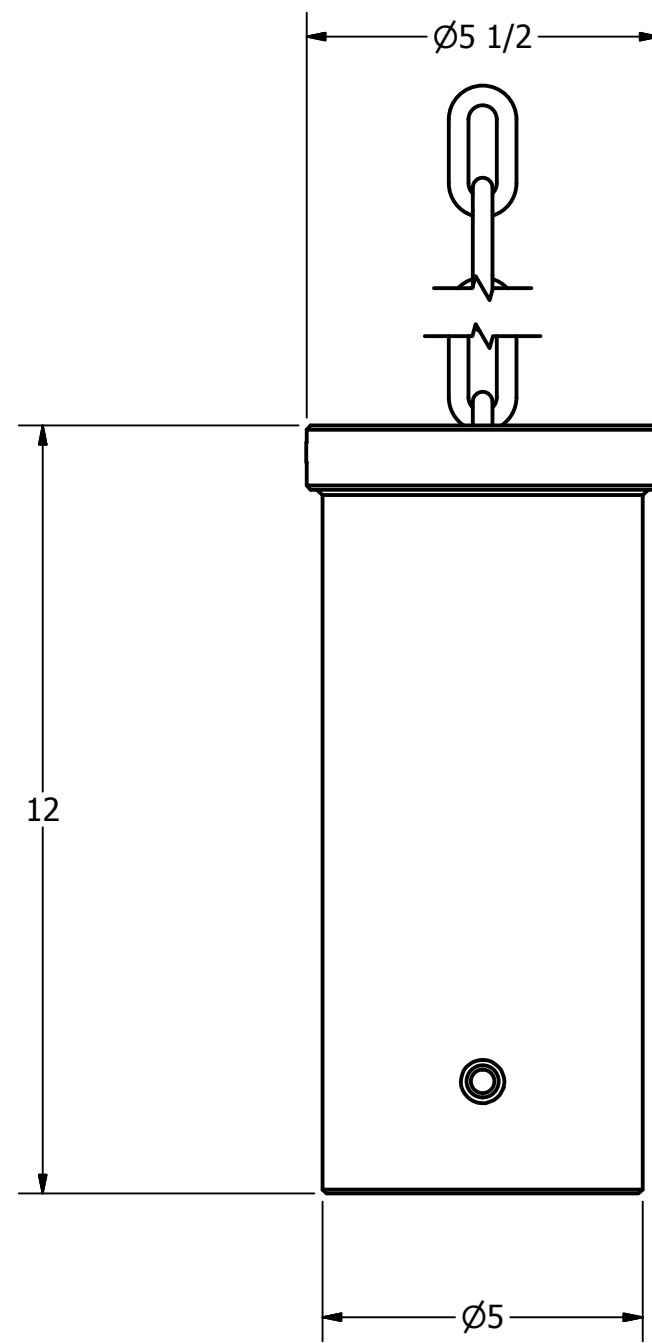
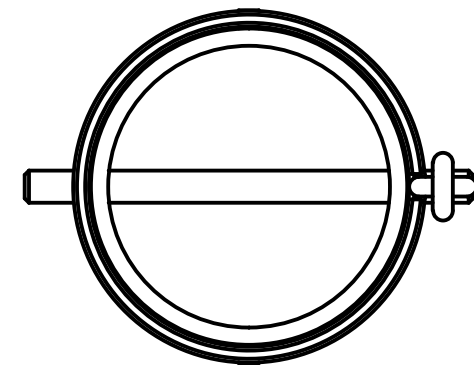


# Removable Bollard Receiver with Securing Chain



## General Description:

Removable bollard receivers with securing chains accommodate all Reliance Foundry R-79xx and R-89xx posts. Use padlocked chains to fasten bollards. When bollards are removed, chains can be stored inside receivers and concealed with a protective cover to prevent tripping or obstruction. Use removable mountings for multi-use spaces with a variety of day-to-day or seasonal applications. Standard mountings feature galvanized steel receivers and stainless steel chains. Stainless steel housings are also available. NOTE: Covers and padlocks are sold separately.

For more information on bollard post installation, please visit: <http://www.reliance-foundry.com/bollard/installation-bollards>

## Specifications:

Height: 12"

Base Diameter: 5"

Cover Diameter: 5-1/2"

Weight: 18 lbs ( Receiver with Chain Only )  
( 1.5 lbs Stainless Steel Receiver Cover Optional )

Material: Galvanized Steel Receiver Body  
( Stainless Steel Receiver Cover Optional )

Max. Interior Security Post Size:  
Diameter: 4-5/16"

### Finish Options:

- ✓ Galvanized ( Stainless Steel Cover Optional )
- See Reliance Foundry's standard color options at <http://www.reliance-foundry.com/bollard/colors-bollards>

## Notes:

- Embedment details are for reference illustration only. Minimum foundation sizes depend on local soil conditions, weather conditions, and engineering requirements.
- Bollard post is provided as shown, with material detailed in legend below. Concrete, foundation and/or installation ordered separately or provided by others.
- This drawing is not drawn to scale. Dimensions provided herein is for reference only. Please consult Reliance Foundry sales professionals if any dimension is critical to your particular installation.
- Reliance Foundry reserves the right to amend design and specifications without prior notice for product improvement.

PARTS LIST					
ITEM	QTY	PART NUMBER	DESCRIPTION	MATERIAL	WEIGHT
1	1	Receiver Body	Receiver Body	Galvanized Steel	18 lbs
2	1	Receiver Bushing	ABS Plastic Receiver Bushing	ABS	
4	2	Flat Head Screw	Flat Head Recessed Screw	Stainless Steel	

**RELIANCE FOUNDRY**  
SINCE 1925

Unit 207, 6450 - 148 Street, Surrey, BC V3S 7G7, Canada  
1-888-735-5680 info@reliance-foundry.com  
<http://www.reliance-foundry.com>

TITLE  
**Removable Bollard Receiver with Securing Chain**

SIZE <b>C</b>	DWG NO <b>0217-0B</b>	REV <b>B</b>
------------------	--------------------------	-----------------