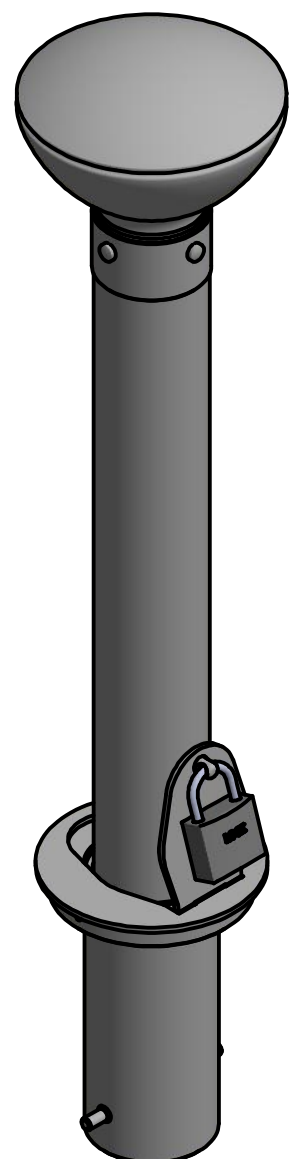
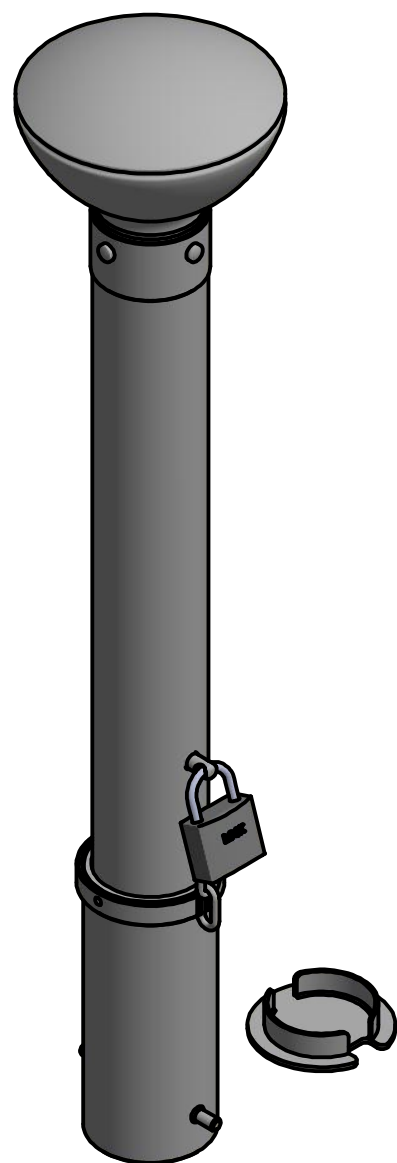


Bollard, Model R-9821

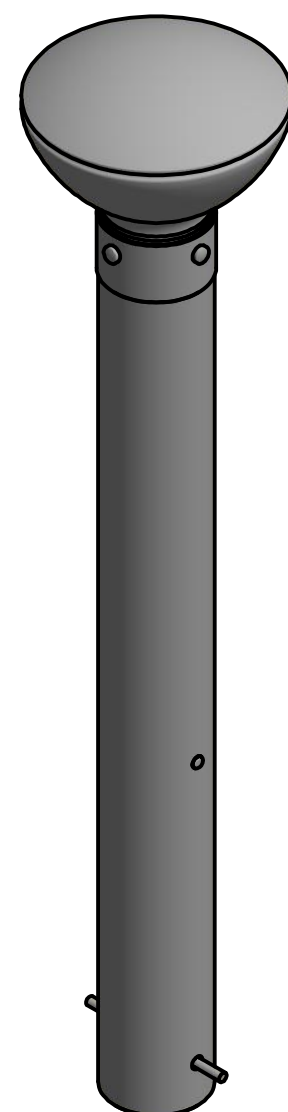
Removable Receiver with Lid
(for detail, see sheet 2 of 5)



Removable Receiver with Chain
(for detail, see sheet 3 of 5)



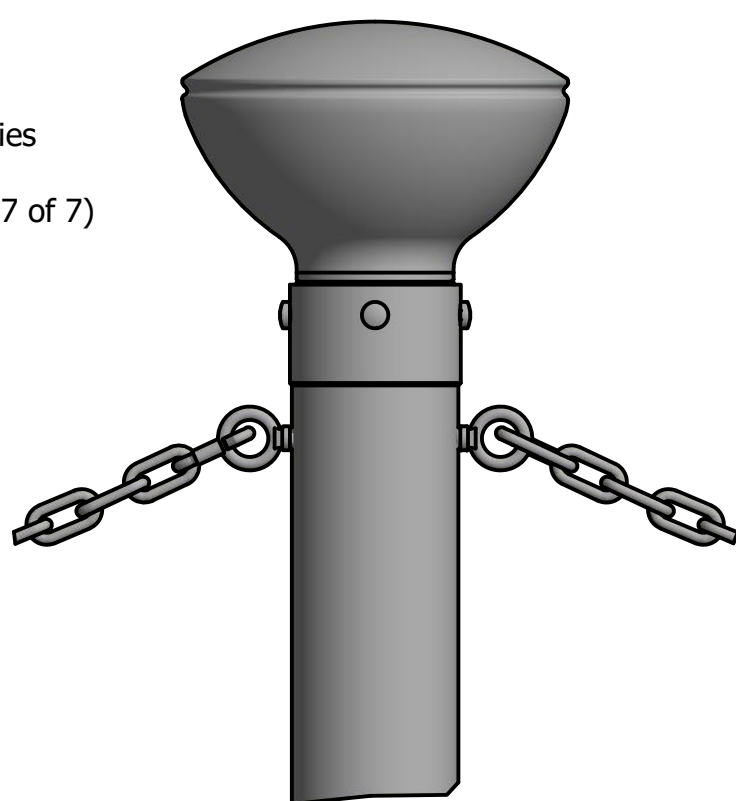
Fixed Embedded Mount
(for detail, see sheet 4 of 5)



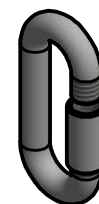
3 Available Mounting Options

Optional Chain Accessories Available

5/16" Chain Accessories Installation Sample
(for detail, see sheet 7 of 7)



Chain Eye 3/8"
(Powder Coated)



Quick Link Connector
(Powder Coated)



Bollard Chain 5/16"
(Powder Coated)

General Description:

R-9821 bollards provide bright LED solar-powered illumination. These bollards are ready to withstand harsh weather conditions and are IP68 certified, and can be submersed without leaking in up to 9.8 feet of water. They are easy to install and completely self-sufficient, with no trenching, cabling, or wiring required. R-9821 bollards are also IK10 certified to withstand impact from debris or vandalism. These bollards have a modern design that can complement a range of architecture styles.

For more information on bollard post installation, please visit:
www.reliance-foundry.com/bollard/installation-bollards

Specifications:

Height: 36" (Above Grade)

Base Diameter: 4 3/8"

Weight: 24 lbs (Bollard Post Full Length)

Material: Steel (ASTM A36)

Finish Options:

✓ Polyester Powdercoated

See Reliance Foundry's standard color options at
www.reliance-foundry.com/bollard/colors-bollards

RELIANCE FOUNDRY
SINCE 1925

Unit 207, 6450 - 148 Street, Surrey, BC V3S 7G7, Canada
1-888-735-5680 info@reliance-foundry.com
www.reliance-foundry.com

TITLE

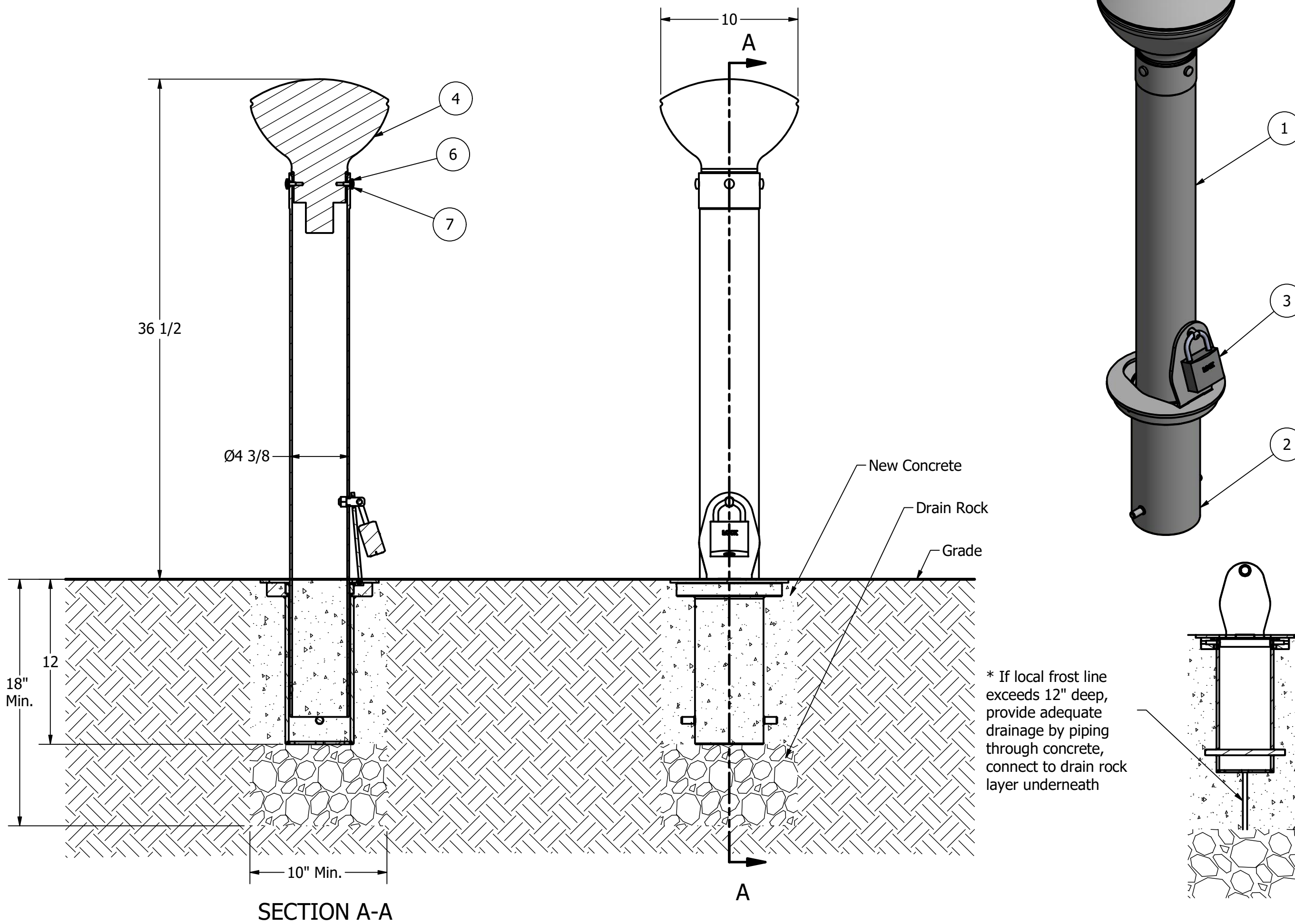
Bollard, Model R-9821

SIZE
C

DWG NO
R9821CH_R7901R

REV
A1

Bollard, Model R-9821



General Description:

R-9821 bollards provide bright LED solar-powered illumination. These bollards are ready to withstand harsh weather conditions and are IP68 certified, and can be submersed without leaking in up to 9.8 feet of water. They are easy to install and completely self-sufficient, with no trenching, cabling, or wiring required. R-9821 bollards are also IK10 certified to withstand impact from debris or vandalism. These bollards have a modern design that can complement a range of architecture styles.

For more information on bollard post installation, please visit: www.reliance-foundry.com/bollard/installation-bollards

Specifications:

Height: 36" (Above Grade)

Base Diameter: 4 3/8"

Weight: 24 lbs (Bollard Post Full Length)

Material: Steel (ASTM A36)

Finish Options:

✓ Polyester Powdercoated

See Reliance Foundry's standard color options at www.reliance-foundry.com/bollard/colors-bollards

Mount Options:

✓ Removable Receiver with Lid (see sheet 2 of 5)

○ Removable Receiver with Chain (see sheet 3 of 5)

○ Fixed Embedded Mount (see sheet 4 of 5)

○ Optional Chain Accessory (see sheet 5 of 5)

Notes:

Removable Receiver with Lid

- Embedment details are for reference illustration only. Minimum foundation sizes depend on local soil conditions, weather conditions, and engineering requirements.
- Bollard post is provided as shown, with material detailed in legend below. Concrete, foundation and/or installation ordered separately or provided by others.
- This drawing is not drawn to scale. Dimensions provided herein is for reference only. Please consult Reliance Foundry sales professionals if any dimension is critical to your particular installation.
- Reliance Foundry reserves the right to amend design and specifications without prior notice for product improvement.

PARTS LIST						
ITEM	QTY	PART NUMBER	DESCRIPTION	MATERIAL	WEIGHT	
1	1	R9821_removable_shop_assembly	R9821 Removable Bollard Assembly	Steel Powder Coated	33 lbs	
2	1	R7901R Receiver	R7901R Receiver Assembly w/ Lid	Galvanized Steel w/ 316 Stainless Steel Cover	24 lbs	
3	1	Padlock (Optional)	Optional Padlock (Brass or Stainless Steel)	Choice of Brass or Stainless Steel	5/8 lbs	
4	1	R9821 Solar Head	R9821 Solar Head		6 lbs	
5	4	Temper Resistant M6 x 20	Hexagon Socket Countersunk Head Screw Temper Resistant M6 x 20	Stainless Steel		
6	4	Pop-on Screw Base 1/4"	SPAENAU Pop-on Screw Base 1/4" Flat Head Countersunk Screw			
7	4	Pop-on Screw Cover 1/4"	SPAENAU Pop-on Screw Cover 1/4" Flat Head Countersunk Screw			

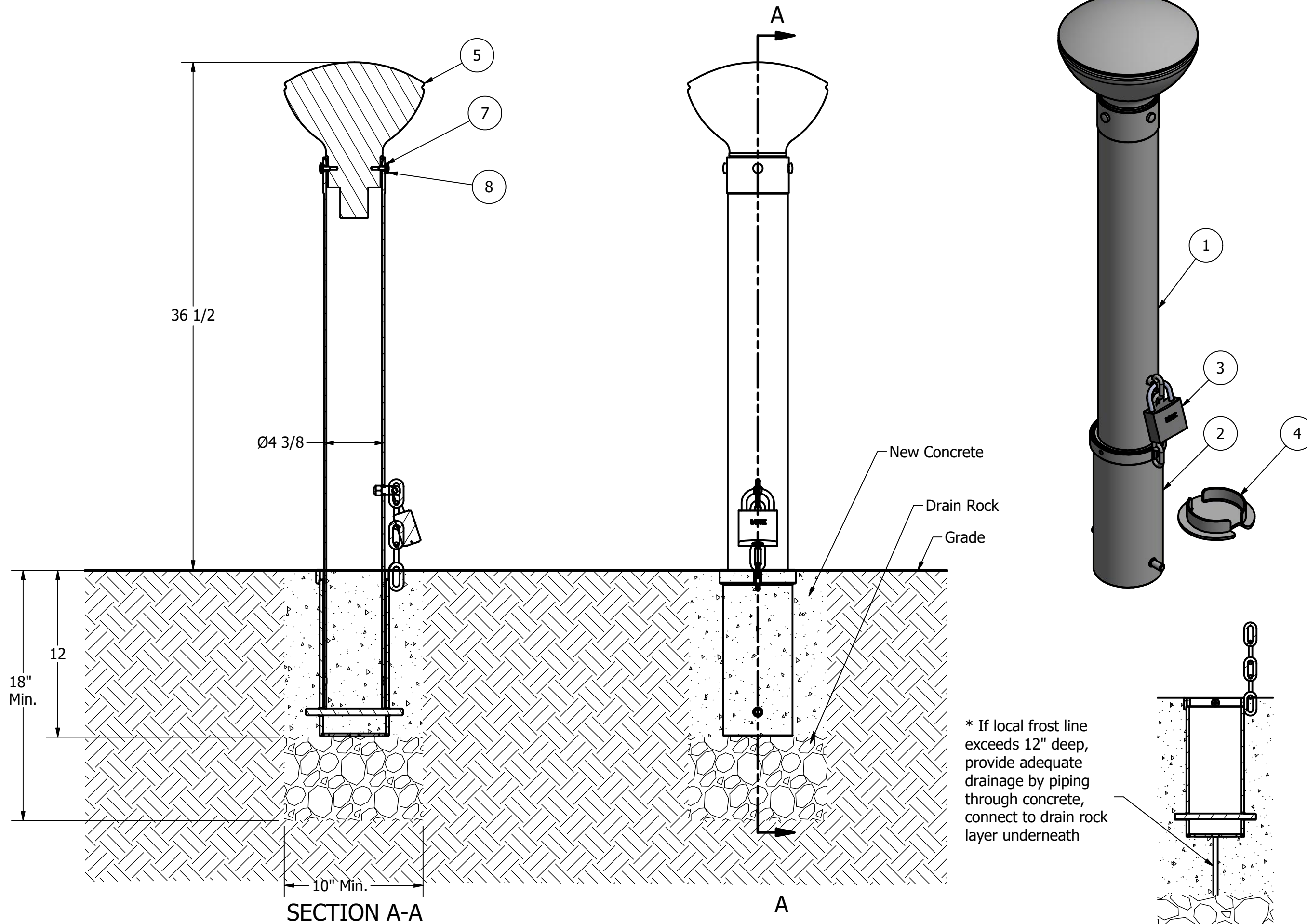
RELIANCE FOUNDRY
SINCE 1925

Unit 207, 6450 - 148 Street, Surrey, BC V3S 7G7, Canada
1-888-735-5680 info@reliance-foundry.com
www.reliance-foundry.com

Bollard, Model R-9821

SIZE: C DWG NO: R9821_R7901R REV: A1

Bollard, Model R-9821



General Description:

R-9821 bollards provide bright LED solar-powered illumination. These bollards are ready to withstand harsh weather conditions and are IP68 certified, and can be submersed without leaking in up to 9.8 feet of water. They are easy to install and completely self-sufficient, with no trenching, cabling, or wiring required. R-9821 bollards are also IK10 certified to withstand impact from debris or vandalism. These bollards have a modern design that can complement a range of architecture styles.

For more information on bollard post installation, please visit: www.reliance-foundry.com/bollard/installation-bollards

Specifications:

Height: 36" (Above Grade)

Base Diameter: 4 3/8"

Weight: 24 lbs (Bollard Post Full Length)

Material: Steel (ASTM A36)

Finish Options:

- ✓ Polyester Powdercoated
- See Reliance Foundry's standard color options at www.reliance-foundry.com/bollard/colors-bollards

Mount Options:

- Removable Receiver with Lid (see sheet 2 of 5)
- ✓ Removable Receiver with Chain (see sheet 3 of 5)
- Fixed Embedded Mount (see sheet 4 of 5)
- Optional Chain Accessory (see sheet 5 of 5)

Notes:

- Embedment details are for reference illustration only. Minimum foundation sizes depend on local soil conditions, weather conditions, and engineering requirements.
- Bollard post is provided as shown, with material detailed in legend below. Concrete, foundation and/or installation ordered separately or provided by others.
- This drawing is not drawn to scale. Dimensions provided herein is for reference only. Please consult Reliance Foundry sales professionals if any dimension is critical to your particular installation.
- Reliance Foundry reserves the right to amend design and specifications without prior notice for product improvement.

Removable Receiver with Chain

PARTS LIST						
ITEM	QTY	PART NUMBER	DESCRIPTION	MATERIAL	WEIGHT	
1	1	R9821_removable_shop_assembly	R9821 Removable Bollard Assembly	Steel Powder Coated	33 lbs	
2	1	R7902R Receiver	R7902R Receiver Assembly	Galvanized Steel, w/ 304 Stainless Steel Chain	16 lbs	
3	1	Padlock (Optional)	Optional Padlock (Brass or Stainless Steel)	Choice of Brass or Stainless Steel	5/8 lbs	
4	1	R7902RC Receiver Cover (Optional)	Optional R7902RC Receiver Cover	304 Stainless Steel	2 lbs	
5	1	R9821 Solar Head	R9821 Solar Head		6 lbs	
6	4	Temper Resistant M6 x 20	Hexagon Socket Countersunk Head Screw Temper Resistant M6 x 20	Stainless Steel		
7	4	Pop-on Screw Base	SPAENAU Pop-on Screw Base 1/4" Flat Head Countersunk Screw			
8	4	Pop-on Screw Cover	SPAENAU Pop-on Screw Cover 1/4" Flat Head Countersunk Screw			

RELIANCE FOUNDRY
— SINCE 1925 —

Unit 207, 6450 - 148 Street, Surrey, BC V3S 7G7, Canada
1-888-735-5680 info@reliance-foundry.com
www.reliance-foundry.com

Bollard, Model R-9821

SIZE	DWG NO	REV
C	R9821_R7902R	A1

Bollard, Model R-9821

General Description:

R-9821 bollards provide bright LED solar-powered illumination. These bollards are ready to withstand harsh weather conditions and are IP68 certified, and can be submersed without leaking in up to 9.8 feet of water. They are easy to install and completely self-sufficient, with no trenching, cabling, or wiring required. R-9821 bollards are also IK10 certified to withstand impact from debris or vandalism. These bollards have a modern design that can complement a range of architecture styles.

For more information on bollard post installation, please visit:
www.reliance-foundry.com/bollard/installation-bollards

Specifications:

Height: 36" (Above Grade)

Base Diameter: 4 3/8"

Weight: 24 lbs (Bollard Post Full Length)

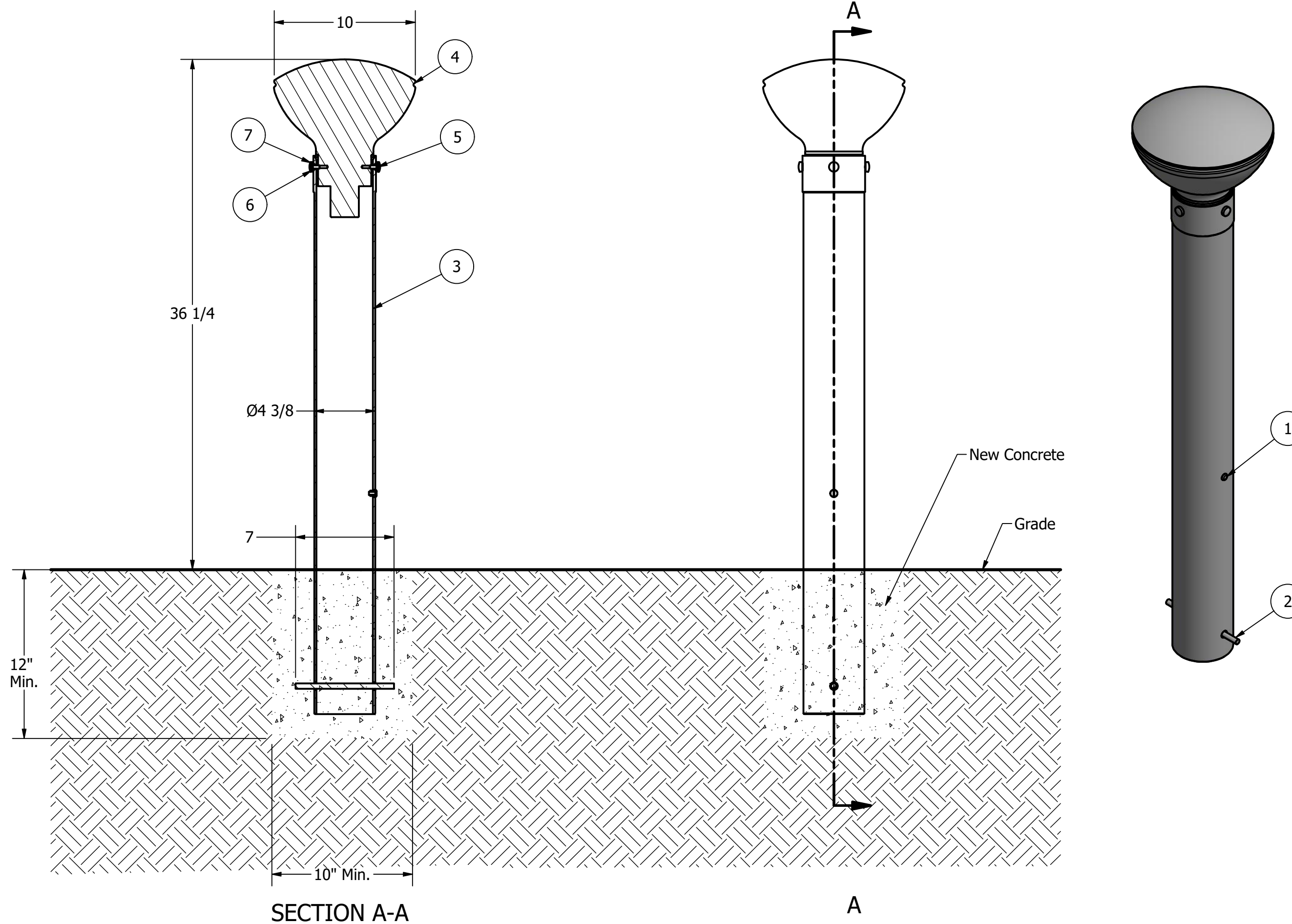
Material: Steel (ASTM A36)

Finish Options:

- ✓ Polyester Powdercoated
- See Reliance Foundry's standard color options at www.reliance-foundry.com/bollard/colors-bollards

Mount Options:

- Removable Receiver with Lid (see sheet 2 of 5)
- Removable Receiver with Chain (see sheet 3 of 5)
- ✓ Fixed Embedded Mount (see sheet 4 of 5)
- Optional Chain Accessory (see sheet 5 of 5)



SECTION A-A

A

Fixed Installation in New Concrete

Notes:

- Embedment details are for reference illustration only. Minimum foundation sizes depend on local soil conditions, weather conditions, and engineering requirements.
- Bollard post is provided as shown, with material detailed in legend below. Concrete, foundation and/or installation ordered separately or provided by others.
- This drawing is not drawn to scale. Dimensions provided herein is for reference only. Please consult Reliance Foundry sales professionals if any dimension is critical to your particular installation.
- Reliance Foundry reserves the right to amend design and specifications without prior notice for product improvement.

PARTS LIST					
ITEM	QTY	PART NUMBER	DESCRIPTION	MATERIAL	WEIGHT
1	1	Polyethylene Plug 1/2"	Polyethylene Plug 1/2"	Polyethylene Plastic	
2	1	Steel Rebar	Steel Rebar 10 mm x 7"	Steel Epoxy Coated	3/8 lbs
3	1	R7909 Base	R7909 Base	Carbon Steel	24 lbs
4	1	R9821 Solar Head	R9821 Solar Head		6 lbs
5	4	Temper Resistant M6 x 20	Hexagon Socket Countersunk Head Screw Temper Resistant M6 x 20	Stainless Steel	
6	4	Pop-on Screw Base 1/4"	SPAENAU Pop-on Screw Base 1/4" Flat Head Countersunk Screw		
7	4	Pop-on Screw Cover 1/4"	SPAENAU Pop-on Screw Cover 1/4" Flat Head Countersunk Screw		

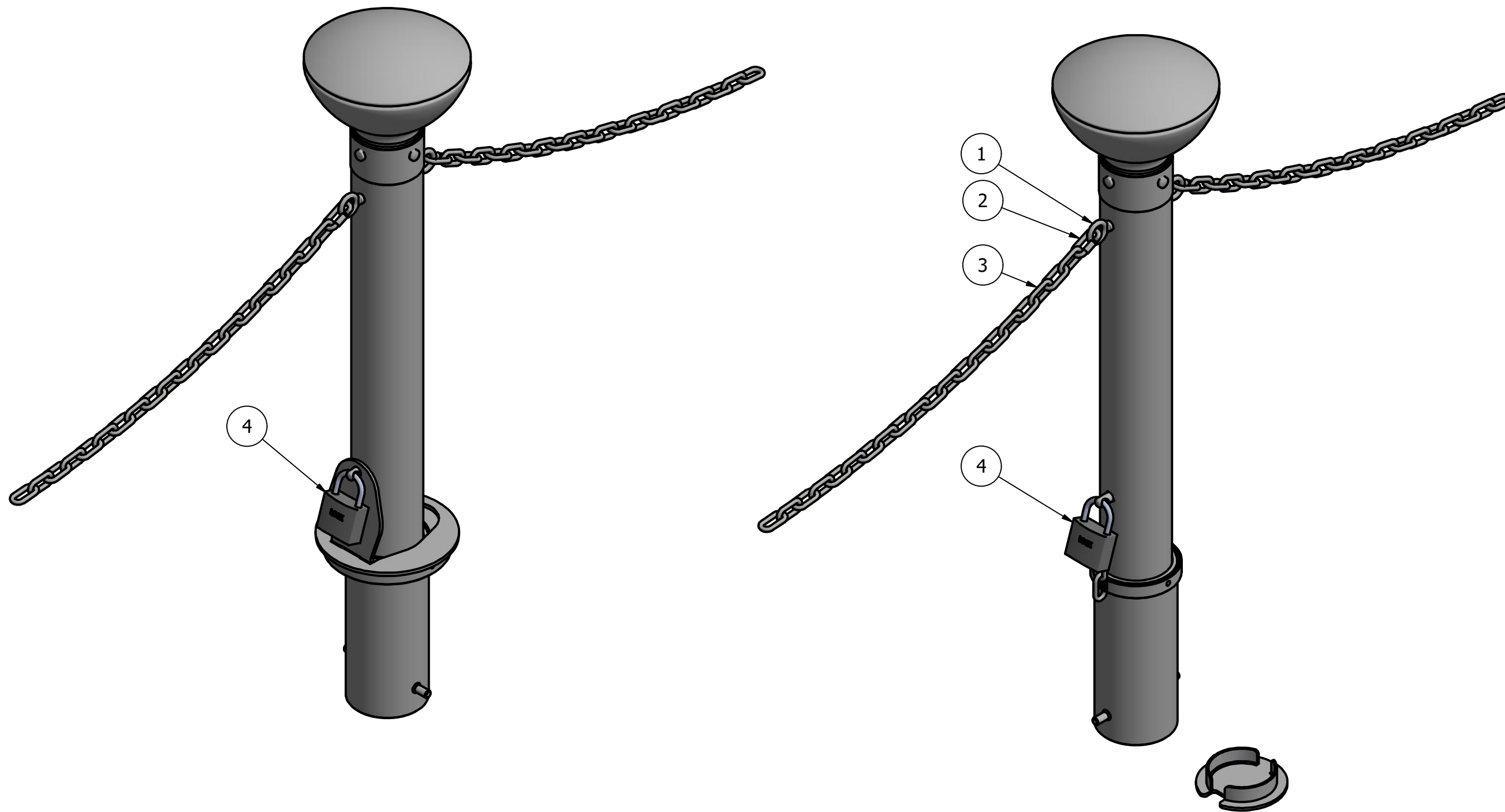
RELIANCE FOUNDRY
 SINCE 1925

Unit 207, 6450 - 148 Street, Surrey, BC V3S 7G7, Canada
 1-888-735-5680 info@reliance-foundry.com
www.reliance-foundry.com

Bollard, Model R-9821

SIZE	DWG NO	REV
C	R9821_	A1

Bollard, Model R-9821



Contractor/Installor Alert:

Please give consideration to the location of the chain eye and the padlock pin when installing removable bollard receiver. It is important that the removable bollard receiver padlock pin is oriented in the same direction as the chain is intended to flow.

Optional Chain Accessories Installation Details

PARTS LIST			
ITEM	PART NUMBER	DESCRIPTION	MATERIAL
1	Chain Eye 3/8" (Optional)	Optional Chain Eye 3/8"	Steel Powder Coated
2	Quick Link Connector (Optional)	Optional Quick Link Connector	Steel Powder Coated
3	Chain 5/16" (Optional)	Optional Chain 5/16" (Sold by Length)	Steel Powder Coated
4	Padlock (Optional)	Optional Padlock (Brass or Stainless Steel)	Choice of Brass or Stainless Steel

General Description:

R-9821 bollards provide bright LED solar-powered illumination. These bollards are ready to withstand harsh weather conditions and are IP68 certified, and can be submersed without leaking in up to 9.8 feet of water. They are easy to install and completely self-sufficient, with no trenching, cabling, or wiring required. R-9821 bollards are also IK10 certified to withstand impact from debris or vandalism. These bollards have a modern design that can complement a range of architecture styles.

For more information on bollard post installation, please visit: www.reliance-foundry.com/bollard/installation-bollards

Specifications:

Height: 36" (Above Grade)

Base Diameter: 4 3/8"

Weight: 24 lbs (Bollard Post Full Length)

Material: Steel (ASTM A36)

Finish Options:

- ✓ Polyester Powdercoated
- See Reliance Foundry's standard color options at www.reliance-foundry.com/bollard/colors-bollards

Mount Options:

- Removable Receiver with Lid (see sheet 2 of 5)
- Removable Receiver with Chain (see sheet 3 of 5)
- Fixed Embedded Mount (see sheet 4 of 5)
- ✓ Optional Chain Accessory (see sheet 5 of 5)

RELIANCE FOUNDRY
SINCE 1925

Unit 207, 6450 - 148 Street, Surrey, BC V3S 7G7, Canada
1-888-735-5680 info@reliance-foundry.com
www.reliance-foundry.com

TITLE			
Bollard, Model R-9821			
SIZE	DWG NO	REV	
C	R9821CH_R7901R	A1	