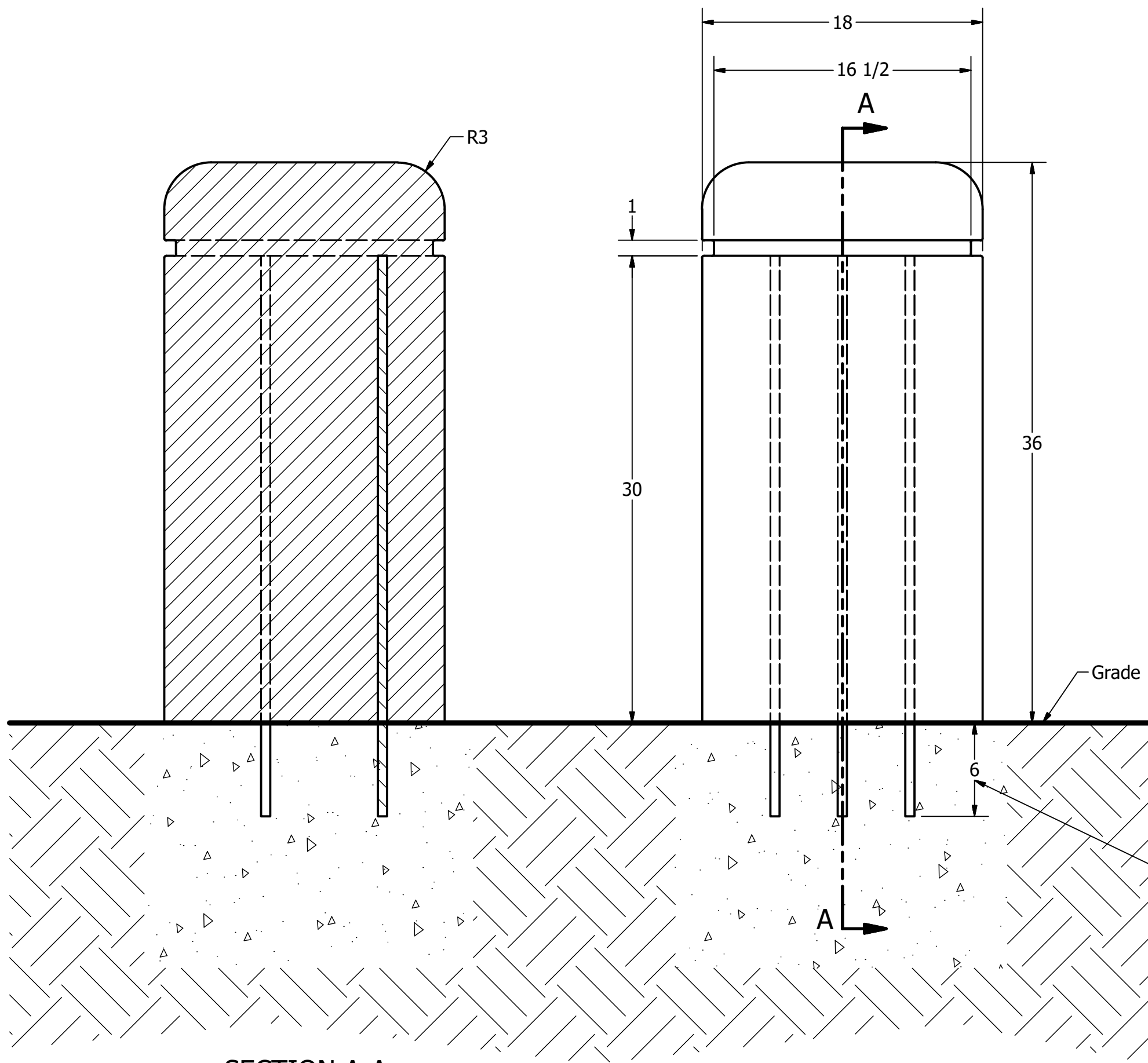


Concrete Bollard, Model R-9701-RB



Product ships standard with 6" rebar extensions. Actual length requirements should be determined by a site engineer and requested upon ordering.

General Description:

The R-9701 Concrete Bollard features a large diameter for increased presence in open spaces. Its flat top and rounded edges are suitable for any urban building or landscape setting. Concrete bollards are reinforced with epoxy-coated steel rebar, and use high-pressure cement to ensure the best strength and durability against chipping and wear. Exposed aggregate finish features British Columbia granite. Install bollards by embedding rebar extensions in wet concrete--or use adhesive to secure into pre-drilled holes. Bollards ship standard with 6-inch rebar extensions and drilling template. Custom rebar lengths available.

For more information on bollard post installation, please visit: www.reliance-foundry.com/bollard/installation-bollards

Specifications:

Height: 36"

Base Diameter: 18"

Weight: 815 lbs

Material: Precast Concrete with Epoxy Coated Steel Rebar Reinforcement

Finish Options:

- ⊙ Exposed aggregate

Installation Options:

- Existing Concrete: Bollards ship with fitted rebar template. Use template to drill accurate installation holes. Secure rebar in concrete with construction adhesive.
- New Concrete: Set rebar footings into wet concrete. Before installing, bend rebar outwards for more secure anchoring.



Bend rebar before setting in wet concrete (new concrete installation only)

Notes:

- Embedment details are for reference illustration only. Minimum foundation sizes depend on local soil conditions, weather conditions, and engineering requirements.
- Bollard is provided as shown, with parts listed below. Concrete foundation and/or installation not provided by Reliance Foundry.
- This drawing is not drawn to scale. Dimensions provided herein is for reference only. Please consult Reliance Foundry sales professionals if any dimension is critical to your particular installation.
- Reliance Foundry reserves the right to amend design and specifications without prior notice for product improvement.

PARTS LIST					
ITEM	QTY	PART NUMBER	DESCRIPTION	MATERIAL	WEIGHT
1	1	R-9701	Concrete Bollard	Precast Concrete	815 lbs
2	3	rb1536	Rebar 15mm Epoxy Coated	Epoxy Coated Steel	3 lbs

RELIANCE FOUNDRY
SINCE 1925

Unit 207, 6450 - 148 Street, Surrey, BC V3S 7G7, Canada
1-877-789-3245 info@reliance-foundry.com
www.reliance-foundry.com

TITLE			
Concrete Bollard Model R-9701-RB			
SIZE	DWG NO	REV	
C	R-9701-RB	B2	
NOT TO SCALE		SHEET 1 OF 1	