

Bollard, Model R-9472

R-9472

Lockable in Raised and Lowered Positions
Key required to lower and raise bollard
(number of keys included: 2)

General Description:

The R-9472 double-locking retractable bollard allows for varying access control. It can retract flush to the ground to eliminate tripping hazards and prevent obstruction. Bollards can be locked in both extended/upright and lowered/retracted positions. A contemporary bollard that fits the aesthetic of modern landscapes, made from high-quality 316 grade stainless steel with #6 satin finish for reliable protection against corrosion. Removable and fixed installation options are also available. Choose from 1 of 4 reflector stripe colors for enhanced visibility.

For more information on bollard post installation, please visit: www.reliance-foundry.com/bollard/installation-bollards

Specifications:

Height: 35 3/8"

Body Diameter: 4 1/2"

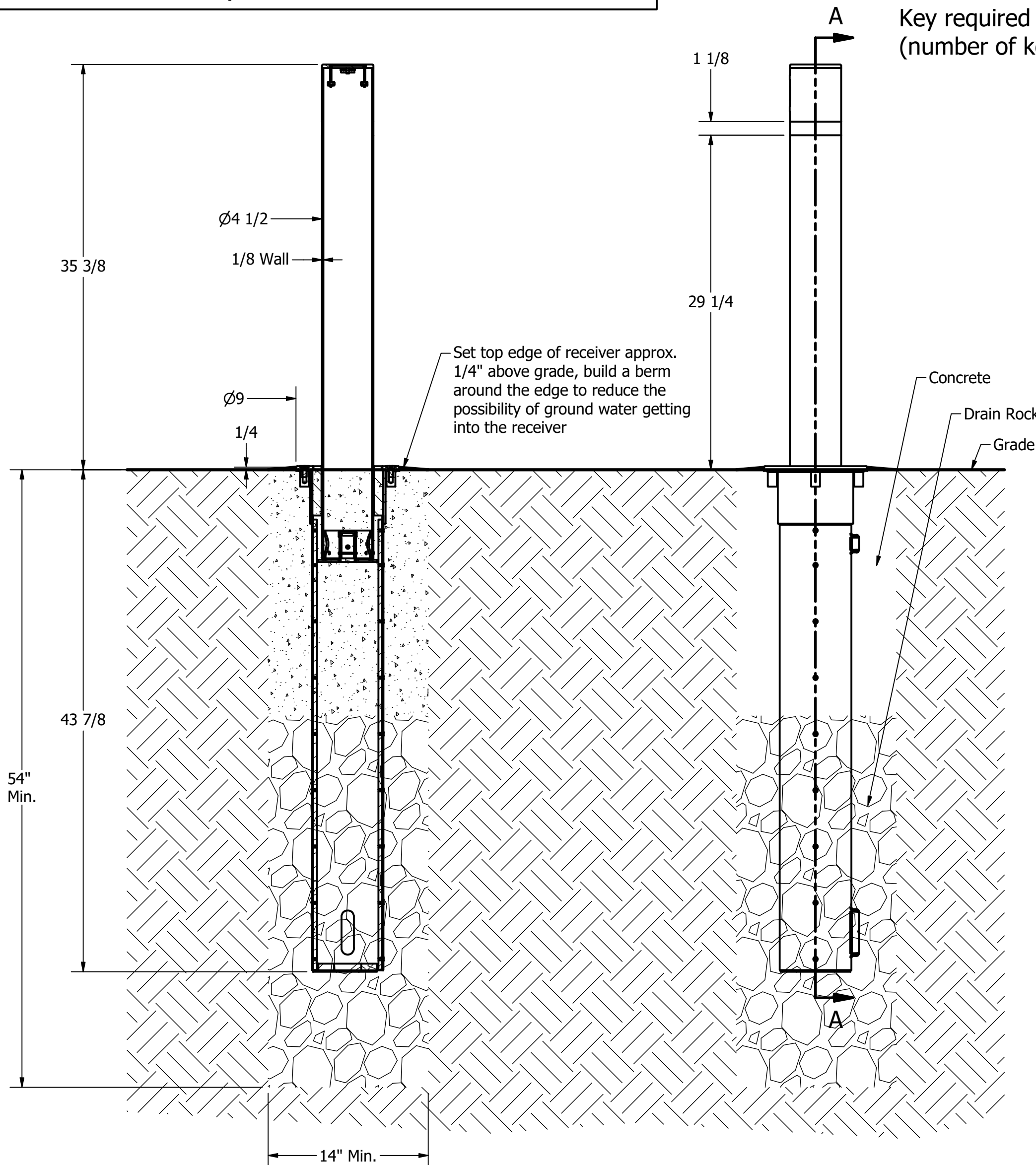
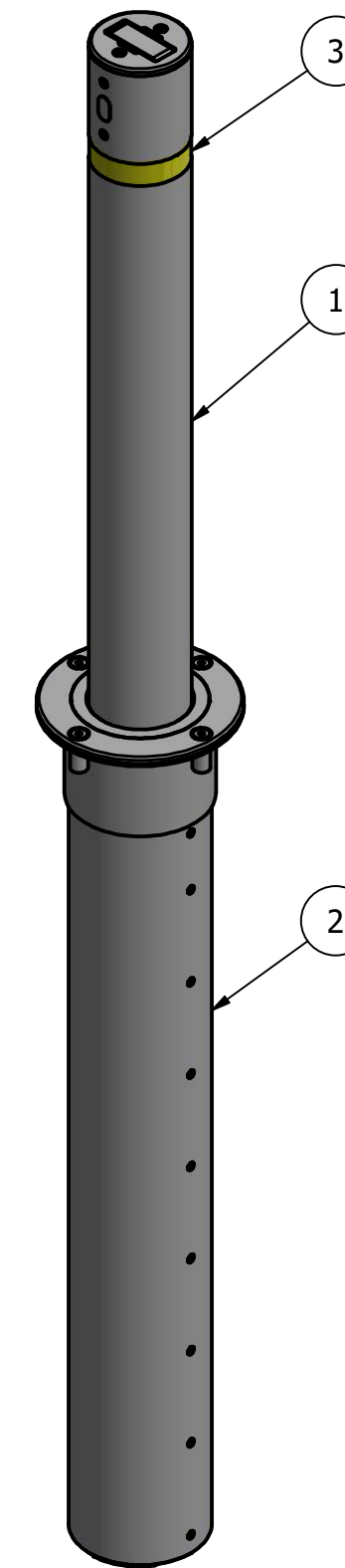
Weight: 27 lbs

Material: Stainless Steel 316

Finish: Satin Surface Finish Buffed No. 6

Reflective Tape Options:

- Yellow
- White
- Red
- Blue
- None (Default)



Notes:

- Embedment details are for reference illustration only. Minimum foundation sizes depend on local soil conditions, weather conditions, and engineering requirements.
- Bollard is provided as shown, with parts listed below. Concrete foundation and/or installation not provided by Reliance Foundry.
- This drawing is not drawn to scale. Dimensions provided herein is for reference only. Please consult Reliance Foundry sales professionals if any dimension is critical to your particular installation.
- Reliance Foundry reserves the right to amend design and specifications without prior notice for product improvement.

SECTION A-A

PARTS LIST					
ITEM	QTY	PART NUMBER	DESCRIPTION	MATERIAL	WEIGHT
1	1	R9472	R9472 Retractable Bollard Assembly	Stainless Steel 316	27 lbs
2	1	R9472R	R9472R Retractable Bollard Receiver	Steel Hot Dip Galvanized w/ Stainless Steel Cover	59 lbs
3	1	Reflective Tape (Optional)	Optional Reflective Tape, Max. 1-1/8" Width	Plastic	

RELIANCE FOUNDRY
— SINCE 1925 —

Unit 207, 6450 - 148 Street, Surrey, BC V3S 7G7, Canada
1-877-789-3245 info@reliance-foundry.com
www.reliance-foundry.com

Bollard R-9472

SIZE	DWG NO	REV
C	R9472	C