

# Bollard, Model R-9471

**R-9471**  
 Lockable in Raised Position  
 Key required to lower bollard  
 No key required to raise bollard  
 (number of keys included: 2)

## General Description:

The R-9471 single-locking retractable bollard can retract fully below ground. It eliminates tripping hazards and obstruction by closing flush to the surface. The bollard can be locked in an extended, upright position, and lowered back down using the key. Versatile design offers alternative mountings, including removable and fixed options. A sleek, contemporary aesthetic fit for modern landscapes. High-quality 316 grade stainless steel with #6 satin finish guarantees corrosion resistance. Select from 1 of 4 reflector stripe colors for enhanced visibility.

For more information on bollard post installation, please visit: [www.reliance-foundry.com/bollard/installation-bollards](http://www.reliance-foundry.com/bollard/installation-bollards)

## Specifications:

Height: 35 3/8"

Body Diameter: 4 1/2"

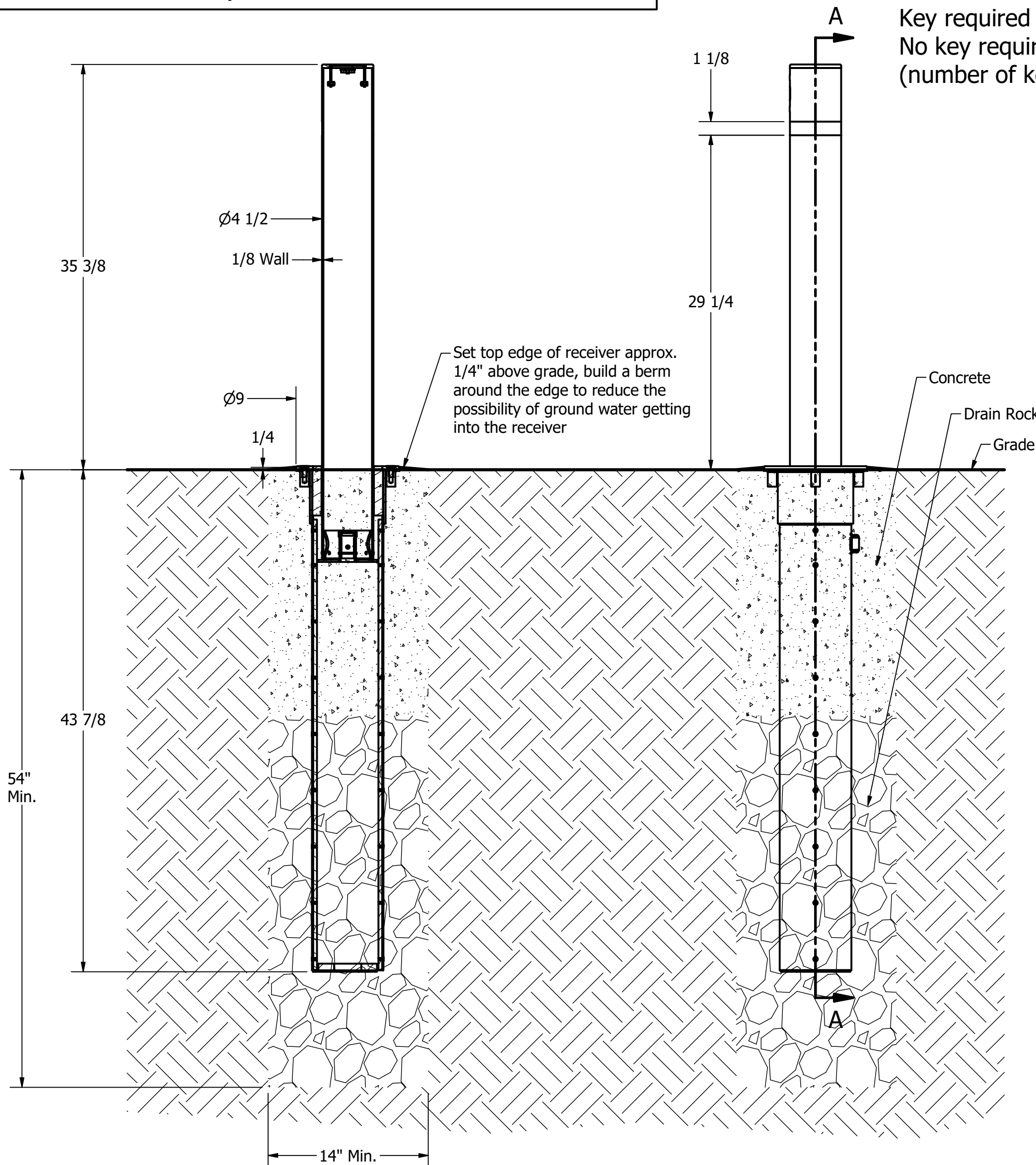
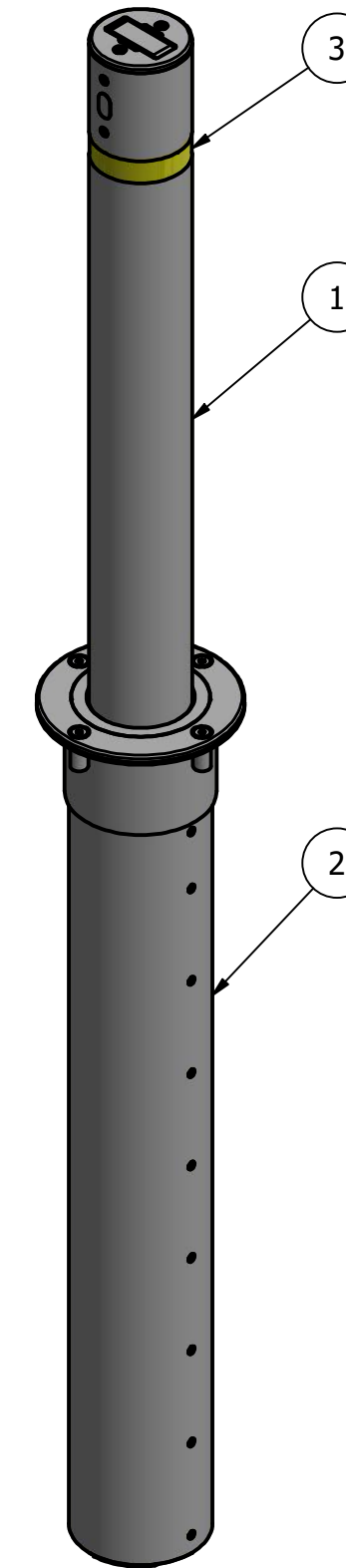
Weight: 27 lbs

Material: Stainless Steel 316

Finish: Satin Surface Finish Buffed No. 6

### Reflective Tape Options:

- Yellow
- White
- Red
- Blue
- None (Default)



### Notes:

- Embedment details are for reference illustration only. Minimum foundation sizes depend on local soil conditions, weather conditions, and engineering requirements.
- Bollard is provided as shown, with parts listed below. Concrete foundation and/or installation not provided by Reliance Foundry.
- This drawing is not drawn to scale. Dimensions provided herein is for reference only. Please consult Reliance Foundry sales professionals if any dimension is critical to your particular installation.
- Reliance Foundry reserves the right to amend design and specifications without prior notice for product improvement.

SECTION A-A

PARTS LIST					
ITEM	QTY	PART NUMBER	DESCRIPTION	MATERIAL	WEIGHT
1	1	R9471	R9471 Retractable Bollard Assembly	Stainless Steel 316	27 lbs
2	1	R9471R	R9471R Retractable Bollard Receiver	Steel Hot Dip Galvanized w/ Stainless Steel Cover	59 lbs
3	1	Reflective Tape (Optional)	Optional Reflective Tape, Max. 1-1/8" Width	Plastic	

**RELIANCE FOUNDRY**  
 SINCE 1925

Unit 207, 6450 - 148 Street, Surrey, BC V3S 7G7, Canada  
 1-877-789-3245 info@reliance-foundry.com  
[www.reliance-foundry.com](http://www.reliance-foundry.com)

## Bollard R-9471

SIZE	DWG NO	REV
C	R9471	C