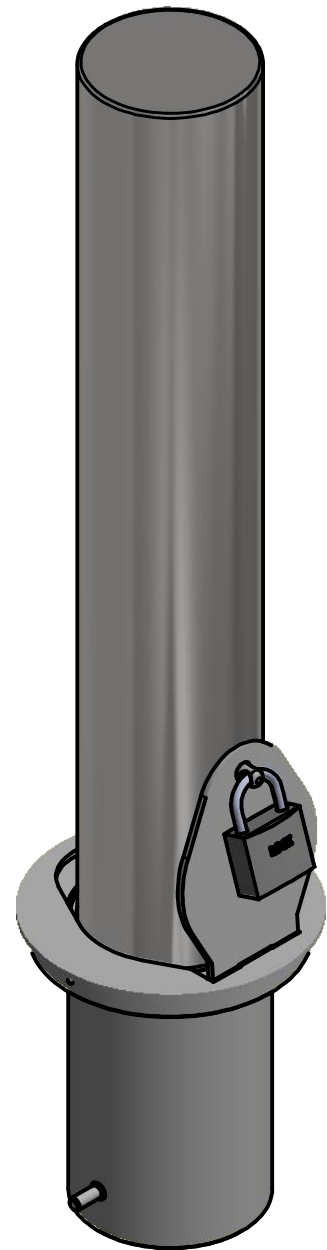


# Bollard R-8914

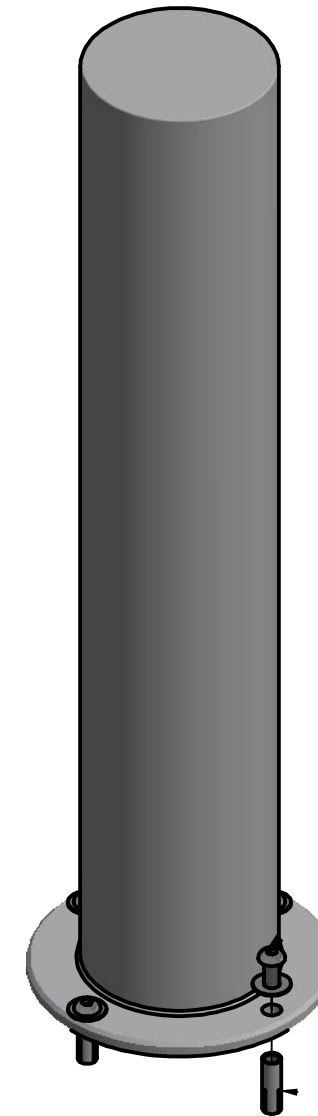
Removable Receiver with Lid  
*(for detail, see sheet 2 of 5)*



Fixed Embedded Mount  
*(for detail, see sheet 3 of 5)*



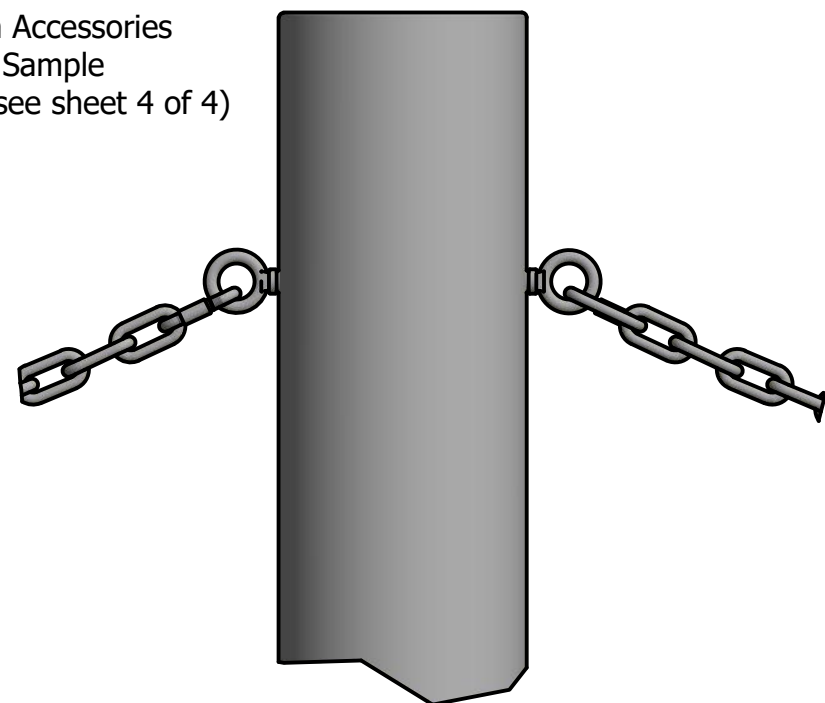
Bolt-down Flange Mount  
*(for detail see sheet 4 of 5)*



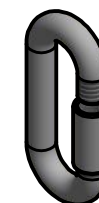
## 3 Available Mounting Options

## Optional Chain Accessories Available

5/16" Chain Accessories Installation Sample  
*(for detail, see sheet 4 of 4)*



Chain Eye 3/8"  
(Powder Coated)



Quick Link Connector  
(Powder Coated)



Bollard Chain 5/16"  
(Powder Coated)

### General Description:

Reliance Foundry's R-8914 stainless steel bollard is made of high-quality 316 stainless steel to withstand abrasive outdoor environments. The R-8914 has a simple, versatile aesthetic with a range of custom mounting options for any site location. This model is a wider version of the flat-topped R-8907, and has a diameter of 6.5 inches. Optional reflector stripes available. Choose from fixed and removable mounting options: concrete embedment, bolt-down flange, and removable receivers.

For more information on bollard post installation, please visit: [www.reliance-foundry.com/bollard/installation-bollards](http://www.reliance-foundry.com/bollard/installation-bollards)

### Specifications:

Height: 36" ( Above Grade )

Base Diameter: 6 1/2"

Weight: 58 lbs

Material: Stainless Steel

Finish Options:

- ⊙ Satin #6 Buffed
- Polyester Powdercoated (Additional service charge)

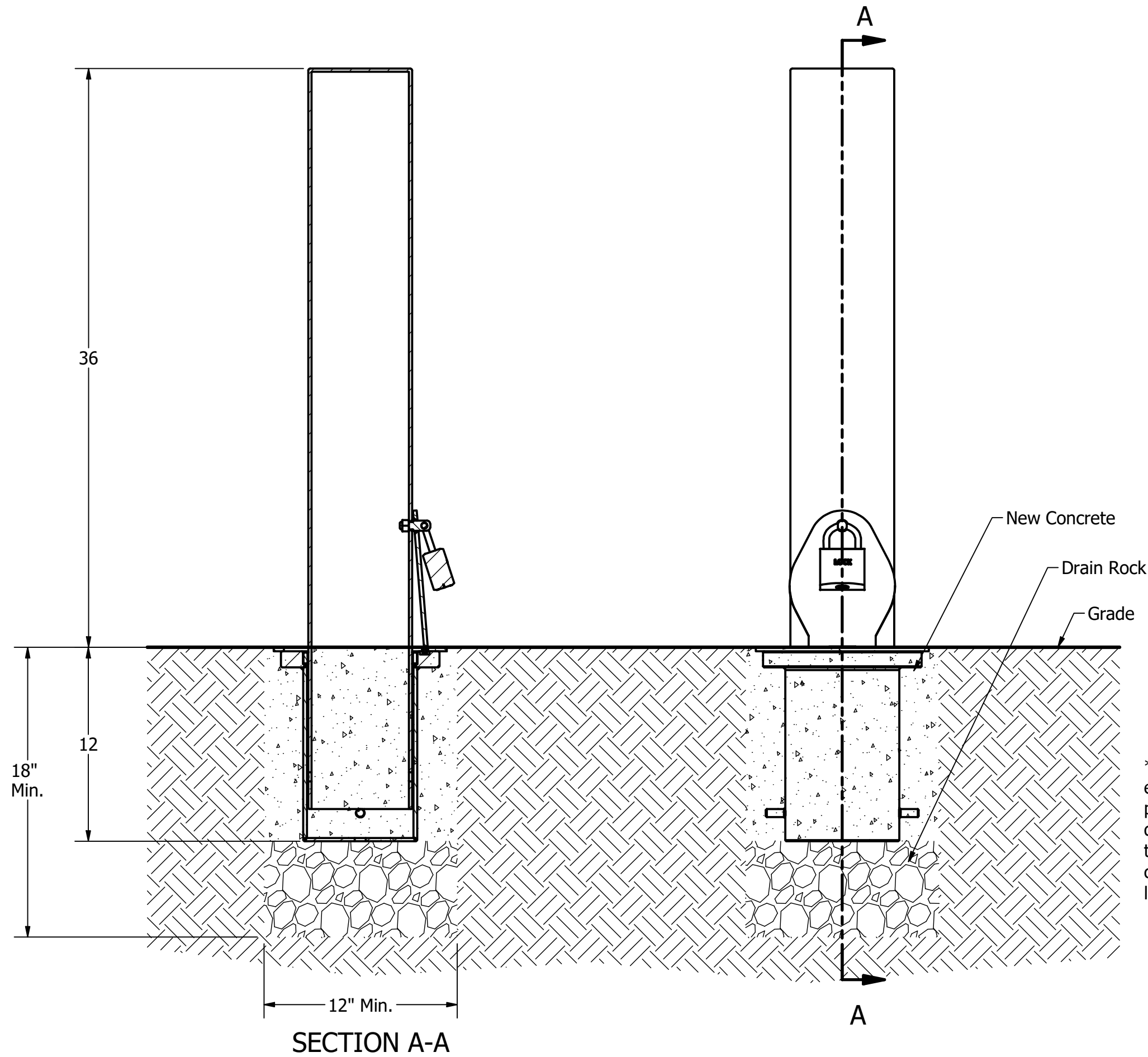
See Reliance Foundry's standard color options at [www.reliance-foundry.com/bollard/colors-bollards](http://www.reliance-foundry.com/bollard/colors-bollards)

**RELIANCE FOUNDRY**  
SINCE 1925

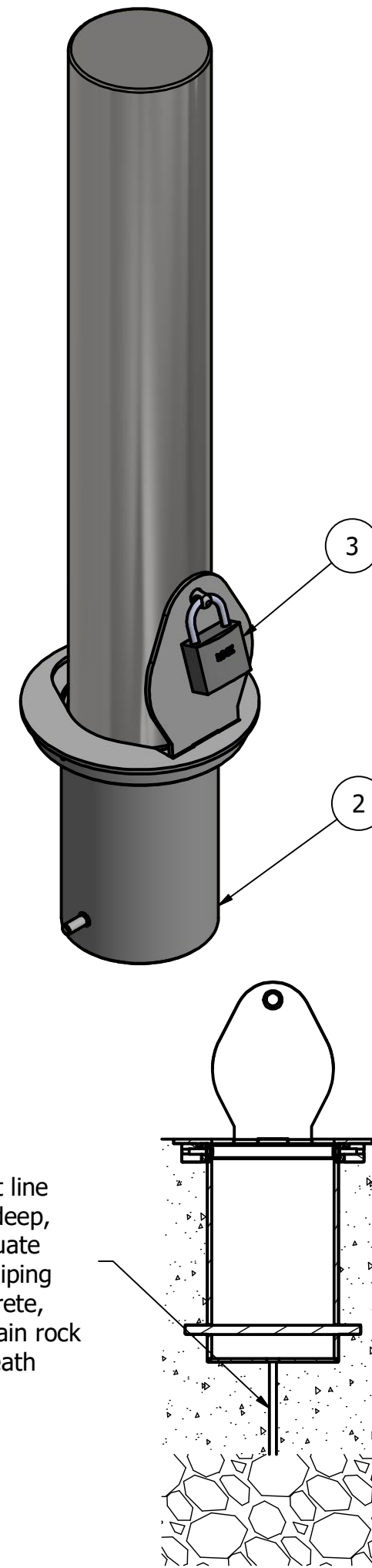
Unit 207, 6450 - 148 Street, Surrey, BC V3S 7G7, Canada  
1-877-789-3245 info@reliance-foundry.com  
[www.reliance-foundry.com](http://www.reliance-foundry.com)

TITLE			
<b>Bollard R-8914</b>			
SIZE	DWG NO	REV	
C	R8914_R7911R	A	
NOT TO SCALE		SHEET 1 OF 4	

# Bollard R-8914



\* If local frost line exceeds 12" deep, provide adequate drainage by piping through concrete, connect to drain rock layer underneath



## General Description:

Reliance Foundry's R-8914 stainless steel bollard is made of high-quality 316 stainless steel to withstand abrasive outdoor environments. The R-8914 has a simple, versatile aesthetic with a range of custom mounting options for any site location. This model is a wider version of the flat-topped R-8907, and has a diameter of 6.5 inches. Optional reflector stripes available. Choose from fixed and removable mounting options: concrete embedment, bolt-down flange, and removable receivers.

For more information on bollard post installation, please visit: [www.reliance-foundry.com/bollard/installation-bollards](http://www.reliance-foundry.com/bollard/installation-bollards)

## Specifications:

Height: 36" ( Above Grade )

Base Diameter: 6 1/2"

Weight: 58 lbs

Material: Stainless Steel

Finish Options:

- Satin #6 Buffed
- Polyester Powdercoated (Additional service charge)

See Reliance Foundry's standard color options at [www.reliance-foundry.com/bollard/colors-bollards](http://www.reliance-foundry.com/bollard/colors-bollards)

## Mount Options:

- ✓ Removable Receiver with Lid (see sheet 2 of 4)
- Fixed Embedded Mount (see sheet 3 of 4)
- Optional Chain Accessory (see sheet 4 of 4)

## Removable Receiver with Lid

(For important detail regarding installation with *OPTIONAL* bollard chain accessories, refer to sheet 4 of 4)

### Notes:

- Embedment details are for reference illustration only. Minimum foundation sizes depend on local soil conditions, weather conditions, and engineering requirements.
- Bollard post is provided as shown, with material detailed in legend below. Concrete, foundation and/or installation ordered separately or provided by others.
- This drawing is not drawn to scale. Dimensions provided herein is for reference only. Please consult Reliance Foundry sales professionals if any dimension is critical to your particular installation.
- Reliance Foundry reserves the right to amend design and specifications without prior notice for product improvement.

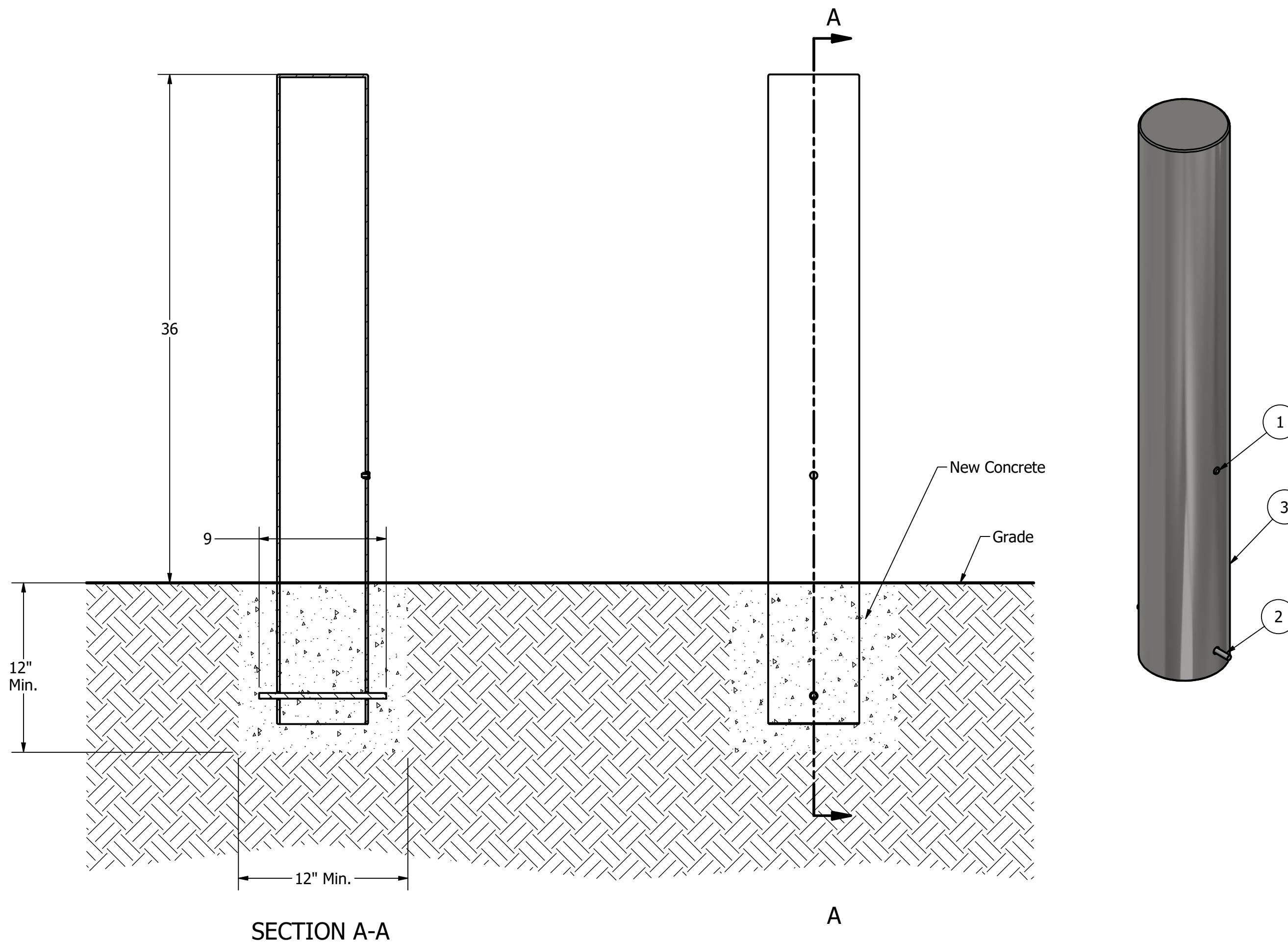
PARTS LIST					
ITEM	QTY	PART NUMBER	DESCRIPTION	MATERIAL	WEIGHT
1	1	R8914 Removable Bollard	R8914 Removable Bollard Assembly	Stainless Steel 316	58 lbs
2	1	R7911R Receiver	R7911R Receiver Assembly w/ Lid	Galvanized Steel w/ 316 Stainless Steel Cover	36 lbs
3	1	Padlock (Optional)	Optional Padlock (Brass or Stainless Steel)	Choice of Brass or Stainless Steel	5/8 lbs

**RELIANCE FOUNDRY**  
SINCE 1925

Unit 207, 6450 - 148 Street, Surrey, BC V3S 7G7, Canada  
1-877-789-3245 info@reliance-foundry.com  
[www.reliance-foundry.com](http://www.reliance-foundry.com)

TITLE			
<b>Bollard R-8914</b>			
SIZE	DWG NO	REV	
C	R8914_R7911R	A	
NOT TO SCALE		SHEET 2 OF 4	

# Bollard R-8914



SECTION A-A

## Fixed Installation in New Concrete

### Notes:

- Embedment details are for reference illustration only. Minimum foundation sizes depend on local soil conditions, weather conditions, and engineering requirements.
- Bollard post is provided as shown, with material detailed in legend below. Concrete, foundation and/or installation ordered separately or provided by others.
- This drawing is not drawn to scale. Dimensions provided herein is for reference only. Please consult Reliance Foundry sales professionals if any dimension is critical to your particular installation.
- Reliance Foundry reserves the right to amend design and specifications without prior notice for product improvement.

PARTS LIST					
ITEM	QTY	PART NUMBER	DESCRIPTION	MATERIAL	WEIGHT
1	1	Polyethylene Plug 1/2"	Polyethylene Plug 1/2"	Polyethylene Plastic	
2	1	Steel Rebar	Steel Rebar 10 mm x 9"	Steel Epoxy Coated	1/2 lbs
3	1	8914 BASE	8914 BASE	Stainless Steel	53 lbs

### General Description:

Reliance Foundry's R-8914 stainless steel bollard is made of high-quality 316 stainless steel to withstand abrasive outdoor environments. The R-8914 has a simple, versatile aesthetic with a range of custom mounting options for any site location. This model is a wider version of the flat-topped R-8907, and has a diameter of 6.5 inches. Optional reflector stripes available. Choose from fixed and removable mounting options: concrete embedment, bolt-down flange, and removable receivers.

For more information on bollard post installation, please visit: [www.reliance-foundry.com/bollard/installation-bollards](http://www.reliance-foundry.com/bollard/installation-bollards)

### Specifications:

Height: 36" ( Above Grade )

Base Diameter: 6 1/2"

Weight: 58 lbs

Material: Stainless Steel

### Finish Options:

- Satin #6 Buffed
- Polyester Powdercoated (Additional service charge)

See Reliance Foundry's standard color options at [www.reliance-foundry.com/bollard/colors-bollards](http://www.reliance-foundry.com/bollard/colors-bollards)

### Mount Options:

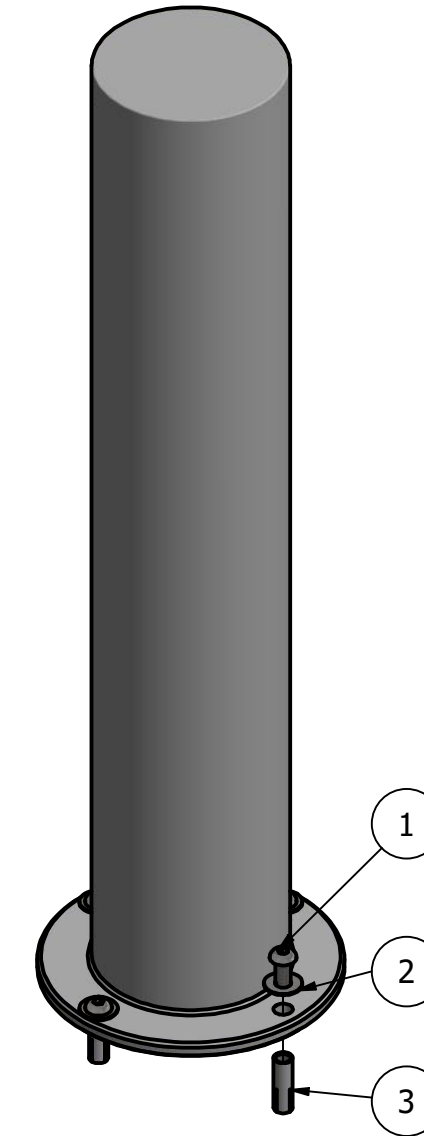
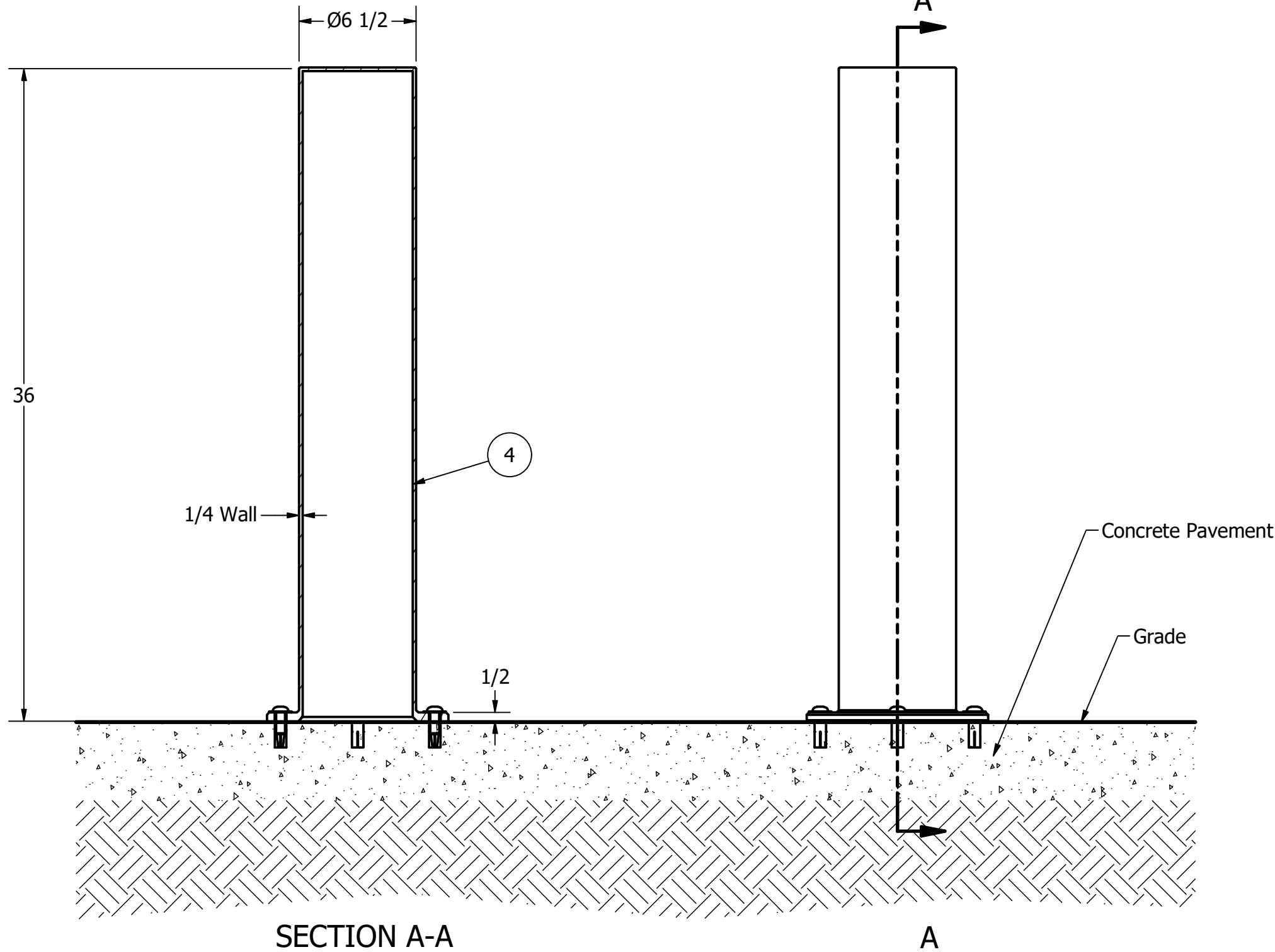
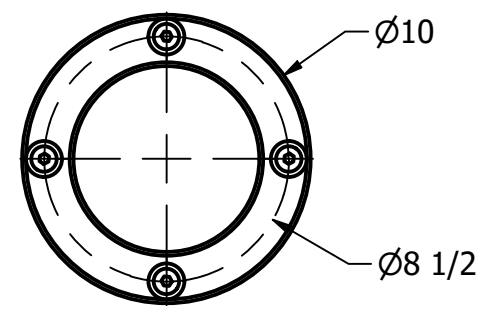
- Removable Receiver with Lid (see sheet 2 of 4)
- ✓ Fixed Embedded Mount (see sheet 3 of 4)
- Optional Chain Accessory (see sheet 4 of 4)

**RELIANCE FOUNDRY**  
SINCE 1925

Unit 207, 6450 - 148 Street, Surrey, BC V3S 7G7, Canada  
1-877-789-3245 info@reliance-foundry.com  
[www.reliance-foundry.com](http://www.reliance-foundry.com)

TITLE			
<b>Bollard R-8914</b>			
SIZE	DWG NO	REV	
C	R8914_	A	
NOT TO SCALE		SHEET 3 OF 4	

# Bollard R-8914-FL



## General Description:

Reliance Foundry's R-8914 stainless steel bollard is made of high-quality 316 stainless steel to withstand abrasive outdoor environments. The R-8914 has a simple, versatile aesthetic and a surface flange for quick bolt-down installation. This model is a wider version of the flat-topped R-8907, and has a diameter of 6.5 inches. Optional reflector stripes available

For more information on bollard post installation, please visit: [www.reliance-foundry.com/bollard/installation-bollards](http://www.reliance-foundry.com/bollard/installation-bollards)

## Specifications:

Height: 36"

Base Diameter: 6 1/2"

Weight: 48 lbs

Material: Stainless Steel

### Finish Options:

- ☉ Satin #6 Buffed
- Polyester Powdercoated (Additional service charge)

See Reliance Foundry's standard color options at [www.reliance-foundry.com/bollard/colors-bollards](http://www.reliance-foundry.com/bollard/colors-bollards)

## Notes:

- Embedment details are for reference illustration only. Minimum foundation sizes depend on local soil conditions, weather conditions, and engineering requirements.
- Bollard post is provided as shown, with material detailed in legend below. Concrete, foundation and/or installation ordered separately or provided by others.
- This drawing is not drawn to scale. Dimensions provided herein is for reference only. Please consult Reliance Foundry sales professionals if any dimension is critical to your particular installation.
- Reliance Foundry reserves the right to amend design and specifications without prior notice for product improvement.

PARTS LIST					
ITEM	QTY	PART NUMBER	DESCRIPTION	MATERIAL	WEIGHT
1	4	Button Head Bolt 1/2" x 1 1/4"	Hexagon Socket Button Head Cap Bolt 1/2" x 1 1/4" - requires 5/16" hex key	Stainless Steel	1/8 lbs
2	4	Stainless Steel Washer 1/2"	Stainless Steel Washer 1/2" OD 1 1/4" Thick .05"	Stainless Steel	
3	4	Drop-in Concrete Insert 1/2"	Drop-in Concrete Insert 1/2" - requires 5/8" x 2" hole (dia. x depth)	Steel Plated	1/8 lbs
4	1	8914FL_BASE	R8914 Flanged Bollard Assembly	Stainless Steel 316	47 lbs

**RELIANCE FOUNDRY**  
SINCE 1925

Unit 207, 6450 - 148 Street, Surrey, BC V3S 7G7, Canada  
1-888-735-5680 info@reliance-foundry.com  
[www.reliance-foundry.com](http://www.reliance-foundry.com)

TITLE

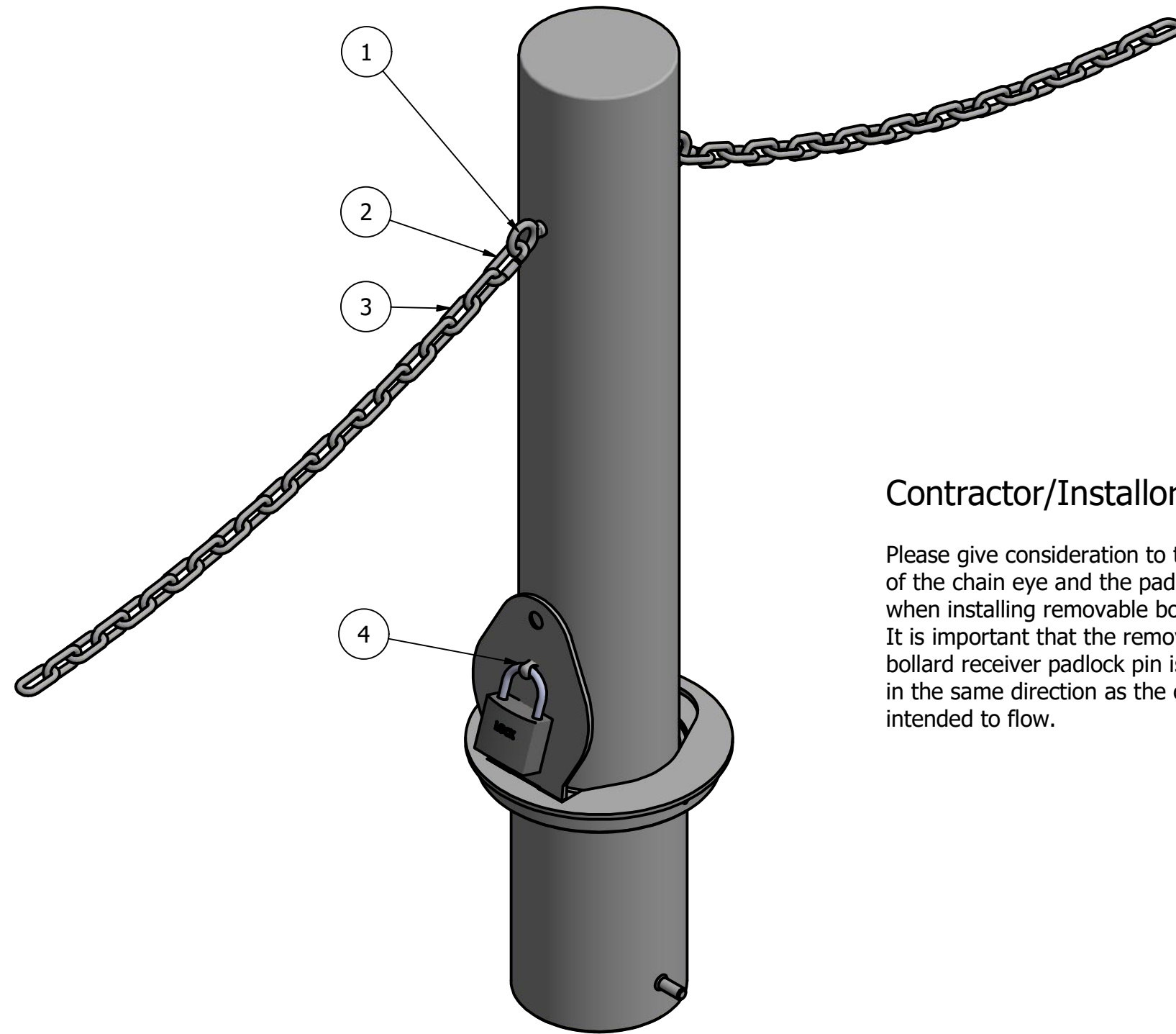
**Bollard R-8914-FL**

SIZE  
C

DWG NO  
R8914F\_

REV  
A

# Bollard R-8914



### Contractor/Installor Alert:

Please give consideration to the location of the chain eye and the padlock pin when installing removable bollard receiver. It is important that the removable bollard receiver padlock pin is oriented in the same direction as the chain is intended to flow.

### General Description:

Reliance Foundry's R-8914 stainless steel bollard is made of high-quality 316 stainless steel to withstand abrasive outdoor environments. The R-8914 has a simple, versatile aesthetic with a range of custom mounting options for any site location. This model is a wider version of the flat-topped R-8907, and has a diameter of 6.5 inches. Optional reflector stripes available. Choose from fixed and removable mounting options: concrete embedment, bolt-down flange, and removable receivers.

For more information on bollard post installation, please visit: [www.reliance-foundry.com/bollard/installation-bollards](http://www.reliance-foundry.com/bollard/installation-bollards)

### Specifications:

Height: 36" ( Above Grade )

Base Diameter: 6 1/2"

Weight: 58 lbs

Material: Stainless Steel

Finish Options:

- ⊙ Satin #6 Buffed
- Polyester Powdercoated (Additional service charge)

See Reliance Foundry's standard color options at [www.reliance-foundry.com/bollard/colors-bollards](http://www.reliance-foundry.com/bollard/colors-bollards)

### Mount Options:

- Removable Receiver with Lid (see sheet 2 of 4)
- Fixed Embedded Mount (see sheet 3 of 4)
- ✓ Optional Chain Accessory (see sheet 4 of 4)

## Optional Chain Accessories Installation Details

PARTS LIST			
ITEM	PART NUMBER	DESCRIPTION	MATERIAL
1	Chain Eye 3/8" (Optional)	Optional Chain Eye 3/8"	Steel Powder Coated
2	Quick Link Connector (Optional)	Optional Quick Link Connector	Steel Powder Coated
3	Chain 5/16" (Optional)	Optional Chain 5/16" (Sold by Length)	Steel Powder Coated
4	Padlock (Optional)	Optional Padlock (Brass or Stainless Steel)	Choice of Brass or Stainless Steel

**RELIANCE FOUNDRY**  
SINCE 1925

Unit 207, 6450 - 148 Street, Surrey, BC V3S 7G7, Canada  
1-877-789-3245 info@reliance-foundry.com  
[www.reliance-foundry.com](http://www.reliance-foundry.com)

## Bollard R-8914

SIZE <b>C</b>	DWG NO <b>R8914CH_R7911R</b>	REV <b>A</b>
------------------	---------------------------------	-----------------