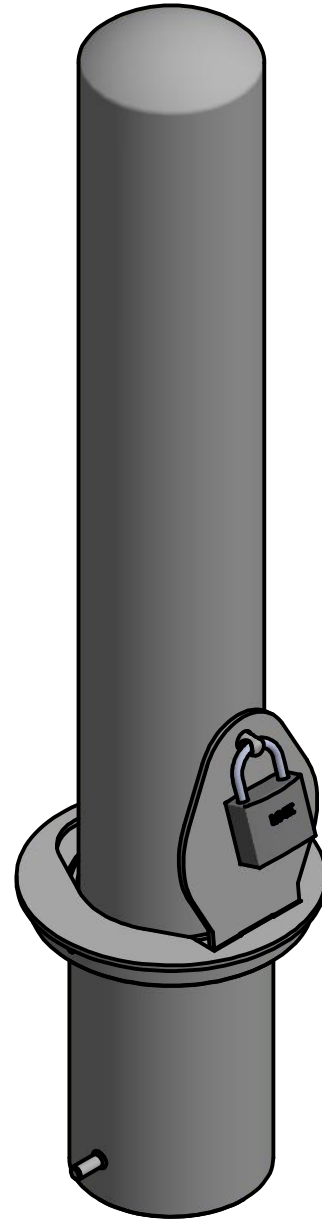


# Bollard R-8912

Removable Receiver with Lid  
*(for detail, see sheet 2 of 4)*



Fixed Embedded Mount  
*(for detail, see sheet 3 of 4)*



## 2 Available Mounting Options

### General Description:

The R-8912 stainless steel bollard features a simple, contemporary design. Made from premium 316 stainless steel for maximum corrosion resistance. A range of custom mounting options exist, making for easy installation into any site location. R-8912 stainless steel bollards are a wider version of the R-8902 model, with a diameter of 6.5 inches. Optional reflector stripes offered. Concrete embedment, bolt-down flange, and removable receiver mounting options available.

For more information on bollard post installation, please visit:  
[www.reliance-foundry.com/bollard/installation-bollards](http://www.reliance-foundry.com/bollard/installation-bollards)

### Specifications:

Height: 36" ( Above Grade )

Base Diameter: 6 1/2"

Weight: 52 lbs

Material: Stainless Steel

#### Finish Options:

- ✓ Polyester Powdercoated

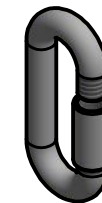
See Reliance Foundry's standard color options at  
[www.reliance-foundry.com/bollard/colors-bollards](http://www.reliance-foundry.com/bollard/colors-bollards)

## Optional Chain Accessories Available

5/16" Chain Accessories Installation Sample  
*(for detail, see sheet 4 of 4)*



Chain Eye 3/8"  
(Powder Coated)



Quick Link Connector  
(Powder Coated)



Bollard Chain 5/16"  
(Powder Coated)

**RELIANCE FOUNDRY**  
SINCE 1925

Unit 207, 6450 - 148 Street, Surrey, BC V3S 7G7, Canada  
1-877-789-3245 info@reliance-foundry.com  
[www.reliance-foundry.com](http://www.reliance-foundry.com)

TITLE

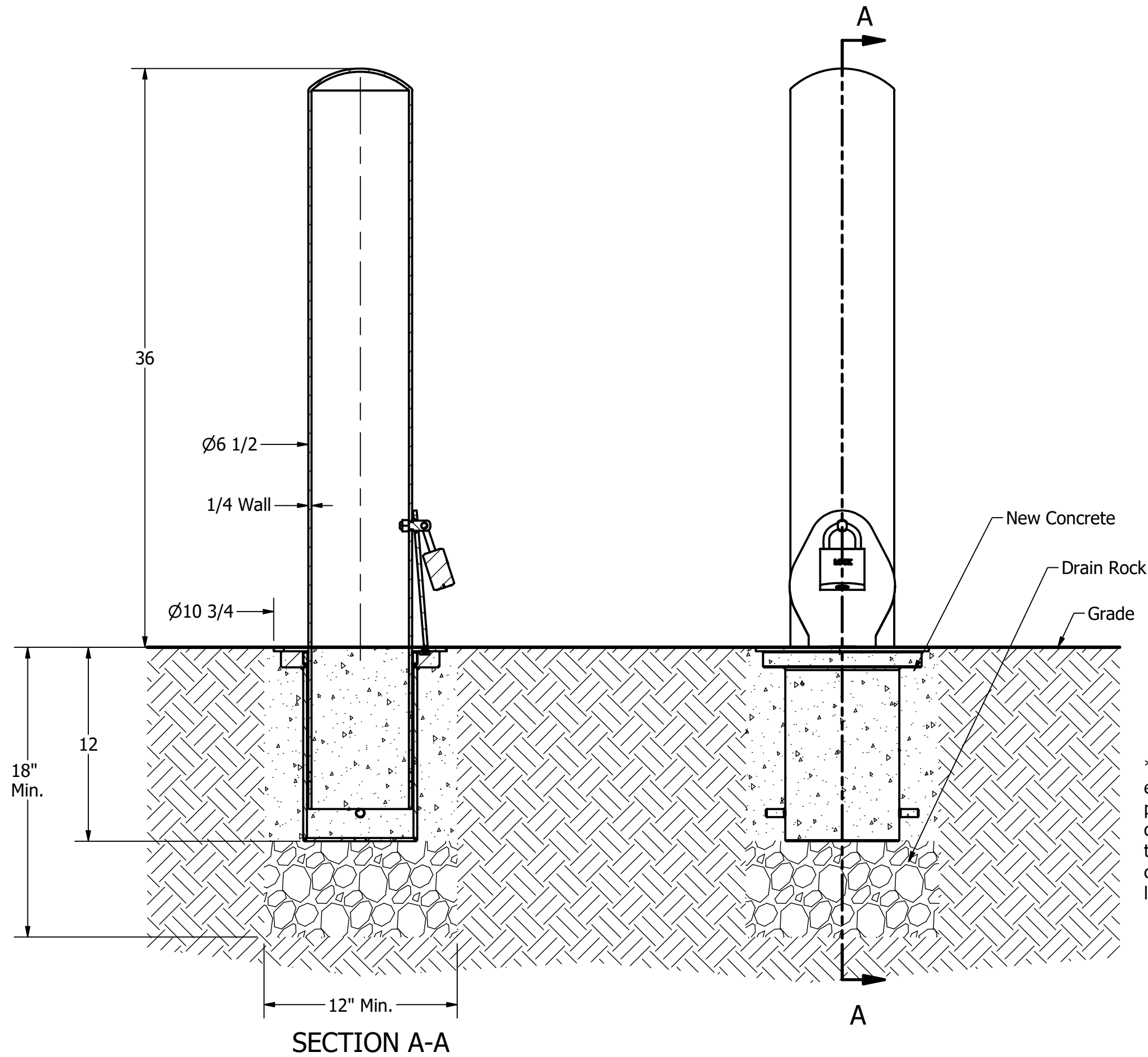
**Bollard R-8912**

SIZE  
C

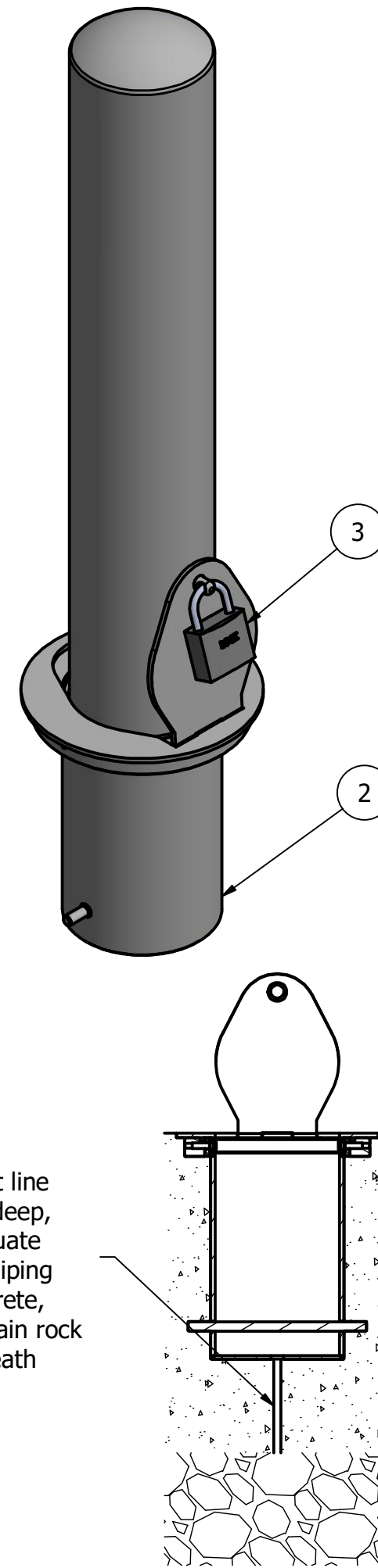
DWG NO  
R8912\_R7911R

REV  
A

# Bollard R-8912



\* If local frost line exceeds 12" deep, provide adequate drainage by piping through concrete, connect to drain rock layer underneath



## General Description:

The R-8912 stainless steel bollard features a simple, contemporary design. Made from premium 316 stainless steel for maximum corrosion resistance. A range of custom mounting options exist, making for easy installation into any site location. R-8912 stainless steel bollards are a wider version of the R-8902 model, with a diameter of 6.5 inches. Optional reflector stripes offered. Concrete embedment, bolt-down flange, and removable receiver mounting options available.

For more information on bollard post installation, please visit: [www.reliance-foundry.com/bollard/installation-bollards](http://www.reliance-foundry.com/bollard/installation-bollards)

## Specifications:

Height: 36" ( Above Grade )

Base Diameter: 6 1/2"

Weight: 52 lbs

Material: Stainless Steel

Finish Options:

- ✓ Polyester Powdercoated
- See Reliance Foundry's standard color options at [www.reliance-foundry.com/bollard/colors-bollards](http://www.reliance-foundry.com/bollard/colors-bollards)

## Mount Options:

- ✓ Removable Receiver with Lid (see sheet 2 of 4)
- Fixed Embedded Mount (see sheet 3 of 4)
- Optional Chain Accessory (see sheet 4 of 4)

## Removable Receiver with Lid

(For important detail regarding installation with *OPTIONAL* bollard chain accessories, refer to sheet 4 of 4)

### Notes:

- Embedment details are for reference illustration only. Minimum foundation sizes depend on local soil conditions, weather conditions, and engineering requirements.
- Bollard post is provided as shown, with material detailed in legend below. Concrete, foundation and/or installation ordered separately or provided by others.
- This drawing is not drawn to scale. Dimensions provided herein is for reference only. Please consult Reliance Foundry sales professionals if any dimension is critical to your particular installation.
- Reliance Foundry reserves the right to amend design and specifications without prior notice for product improvement.

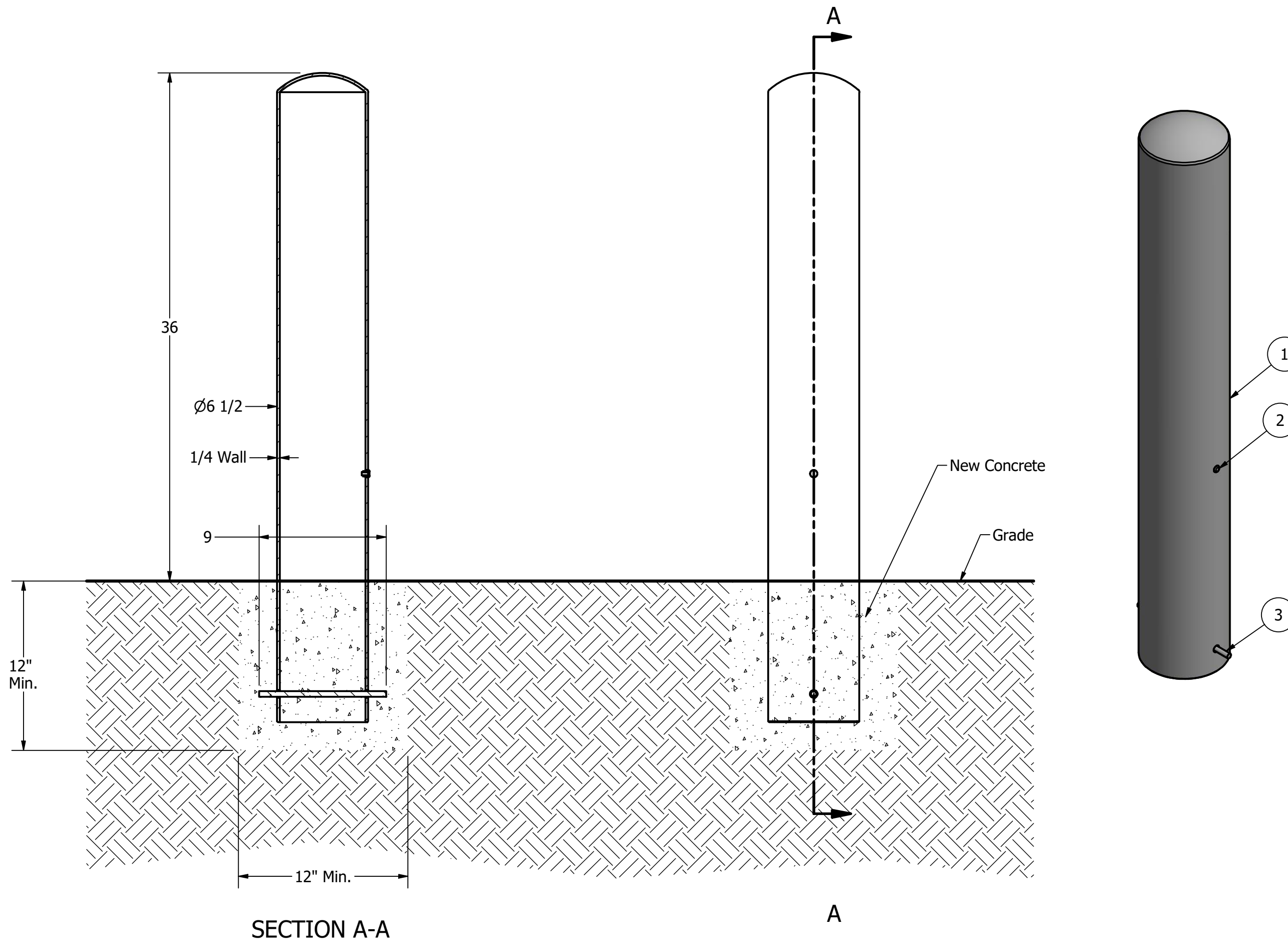
PARTS LIST					
ITEM	QTY	PART NUMBER	DESCRIPTION	MATERIAL	WEIGHT
1	1	R8912_removable_shop_assembly	R8912 Removable Bollard Assembly	Stainless Steel	52 lbs
2	1	R7911R Receiver	R7911R Receiver Assembly w/ Lid	Galvanized Steel w/ 316 Stainless Steel Cover	36 lbs
3	1	Padlock (Optional)	Optional Padlock (Brass or Stainless Steel)	Choice of Brass or Stainless Steel	5/8 lbs

**RELIANCE FOUNDRY**  
SINCE 1925

Unit 207, 6450 - 148 Street, Surrey, BC V3S 7G7, Canada  
1-877-789-3245 info@reliance-foundry.com  
[www.reliance-foundry.com](http://www.reliance-foundry.com)

TITLE			
<b>Bollard R-8912</b>			
SIZE	DWG NO	REV	
C	R8912_R7911R	A	

# Bollard R-8912



## Fixed Installation in New Concrete

### Notes:

- Embedment details are for reference illustration only. Minimum foundation sizes depend on local soil conditions, weather conditions, and engineering requirements.
- Bollard post is provided as shown, with material detailed in legend below. Concrete, foundation and/or installation ordered separately or provided by others.
- This drawing is not drawn to scale. Dimensions provided herein is for reference only. Please consult Reliance Foundry sales professionals if any dimension is critical to your particular installation.
- Reliance Foundry reserves the right to amend design and specifications without prior notice for product improvement.

PARTS LIST					
ITEM	QTY	PART NUMBER	DESCRIPTION	MATERIAL	WEIGHT
1	1	R8912 Fixed Bollard Body	R8912 Fixed Bollard Body	Stainless Steel 316	52 lbs
2	1	Polyethylene Plug 1/2"	Polyethylene Plug 1/2"	Polyethylene Plastic	
3	1	Steel Rebar	Steel Rebar 10 mm x 9"	Steel Epoxy Coated	1/2 lbs

### General Description:

The R-8912 stainless steel bollard features a simple, contemporary design. Made from premium 316 stainless steel for maximum corrosion resistance. A range of custom mounting options exist, making for easy installation into any site location. R-8912 stainless steel bollards are a wider version of the R-8902 model, with a diameter of 6.5 inches. Optional reflector stripes offered. Concrete embedment, bolt-down flange, and removable receiver mounting options available.

For more information on bollard post installation, please visit:  
[www.reliance-foundry.com/bollard/installation-bollards](http://www.reliance-foundry.com/bollard/installation-bollards)

### Specifications:

Height: 36" ( Above Grade )

Base Diameter: 6 1/2"

Weight: 52 lbs

Material: Stainless Steel

#### Finish Options:

- ✓ Polyester Powdercoated  
 See Reliance Foundry's standard color options at  
[www.reliance-foundry.com/bollard/colors-bollards](http://www.reliance-foundry.com/bollard/colors-bollards)

### Mount Options:

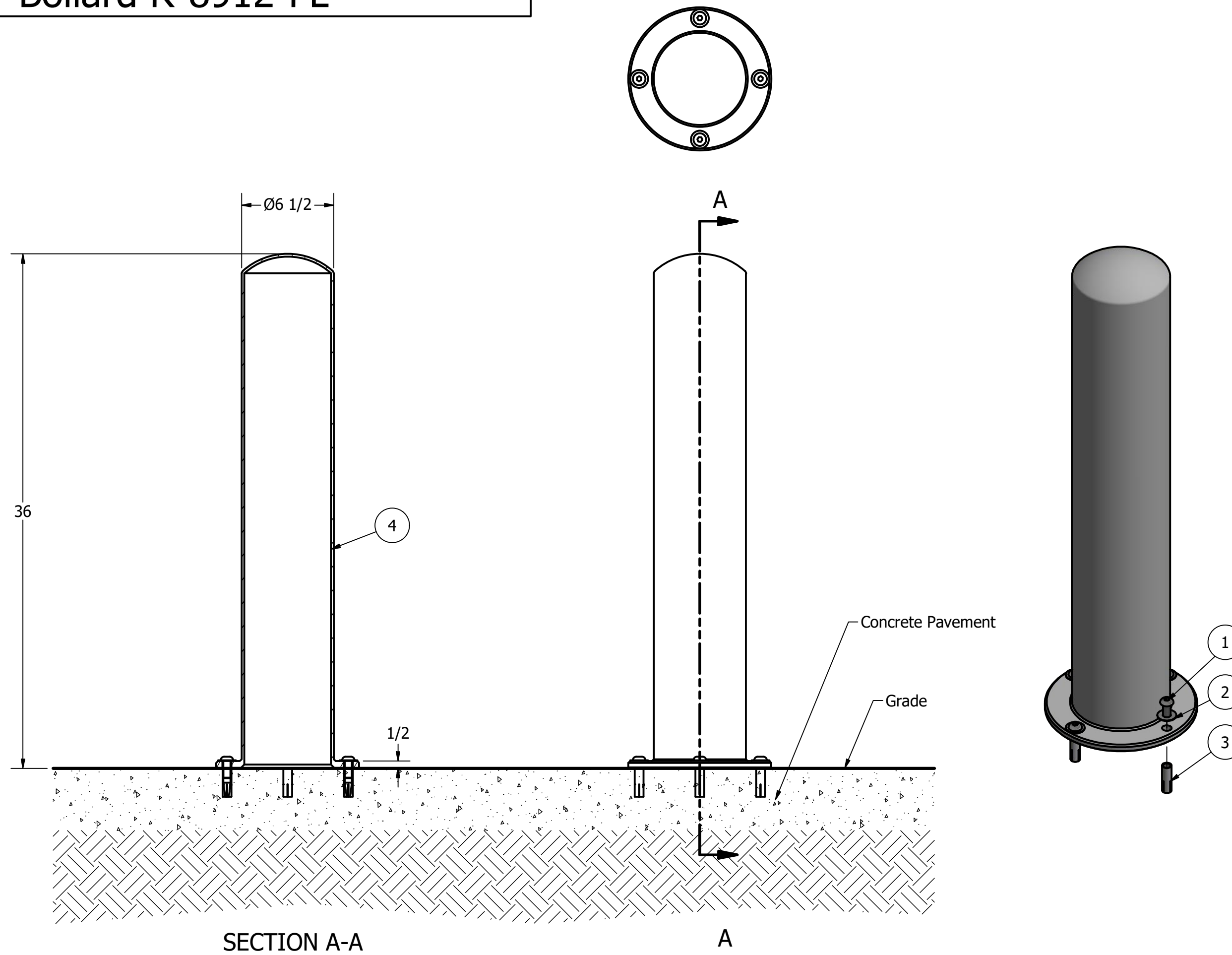
- Removable Receiver with Lid  
 (see sheet 2 of 4)
- ✓ Fixed Embedded Mount  
 (see sheet 3 of 4)
- Optional Chain Accessory  
 (see sheet 4 of 4)

**RELIANCE FOUNDRY**  
 SINCE 1925

Unit 207, 6450 - 148 Street, Surrey, BC V3S 7G7, Canada  
 1-877-789-3245 info@reliance-foundry.com  
[www.reliance-foundry.com](http://www.reliance-foundry.com)

TITLE			
<b>Bollard R-8912</b>			
SIZE	DWG NO	REV	
C	R8912_	A	
NOT TO SCALE		SHEET 3 OF 4	

# Bollard R-8912-FL



## General Description:

The R-8912 stainless steel bollard features a simple, contemporary design. Made from premium 316 stainless steel for maximum corrosion resistance. Surface flange mounting system allows for easy bolt-down installation. R-8912 stainless steel bollards are a wider version of the R-8902 model, with a diameter of 6.5 inches. Optional reflector stripes offered.

For more information on bollard post installation, please visit: [www.reliance-foundry.com/bollard/installation-bollards](http://www.reliance-foundry.com/bollard/installation-bollards)

## Specifications:

Height: 36"

Base Diameter: 6 1/2"

Weight: 48 lbs

Material: Stainless Steel

### Finish Options:

✓ Polyester Powdercoated

See Reliance Foundry's standard color options at [www.reliance-foundry.com/bollard/colors-bollards](http://www.reliance-foundry.com/bollard/colors-bollards)

## Notes:

- Embedment details are for reference illustration only. Minimum foundation sizes depend on local soil conditions, weather conditions, and engineering requirements.
- Bollard post is provided as shown, with material detailed in legend below. Concrete, foundation and/or installation ordered separately or provided by others.
- This drawing is not drawn to scale. Dimensions provided herein is for reference only. Please consult Reliance Foundry sales professionals if any dimension is critical to your particular installation.
- Reliance Foundry reserves the right to amend design and specifications without prior notice for product improvement.

### PARTS LIST

ITEM	QTY	PART NUMBER	DESCRIPTION	MATERIAL	WEIGHT
1	4	Button Head Bolt 1/2" x 1 1/4"	Hexagon Socket Button Head Cap Bolt 1/2" x 1 1/4" - requires 5/16" hex key	Stainless Steel	1/8 lbs
2	4	Stainless Steel Washer 1/2"	Stainless Steel Washer 1/2" OD 1 1/4" Thick .05"	Stainless Steel	
3	4	Drop-in Concrete Insert 1/2"	Drop-in Concrete Insert 1/2" - requires 5/8" x 2" hole (dia. x depth)	Steel Plated	1/8 lbs
4	1	R8912FL Base Body	R8912FL Flanged Bollard Body	Stainless Steel	48 lbs

**RELIANCE FOUNDRY**  
SINCE 1925

Unit 207, 6450 - 148 Street, Surrey, BC V3S 7G7, Canada  
1-888-735-5680 info@reliance-foundry.com  
[www.reliance-foundry.com](http://www.reliance-foundry.com)

TITLE

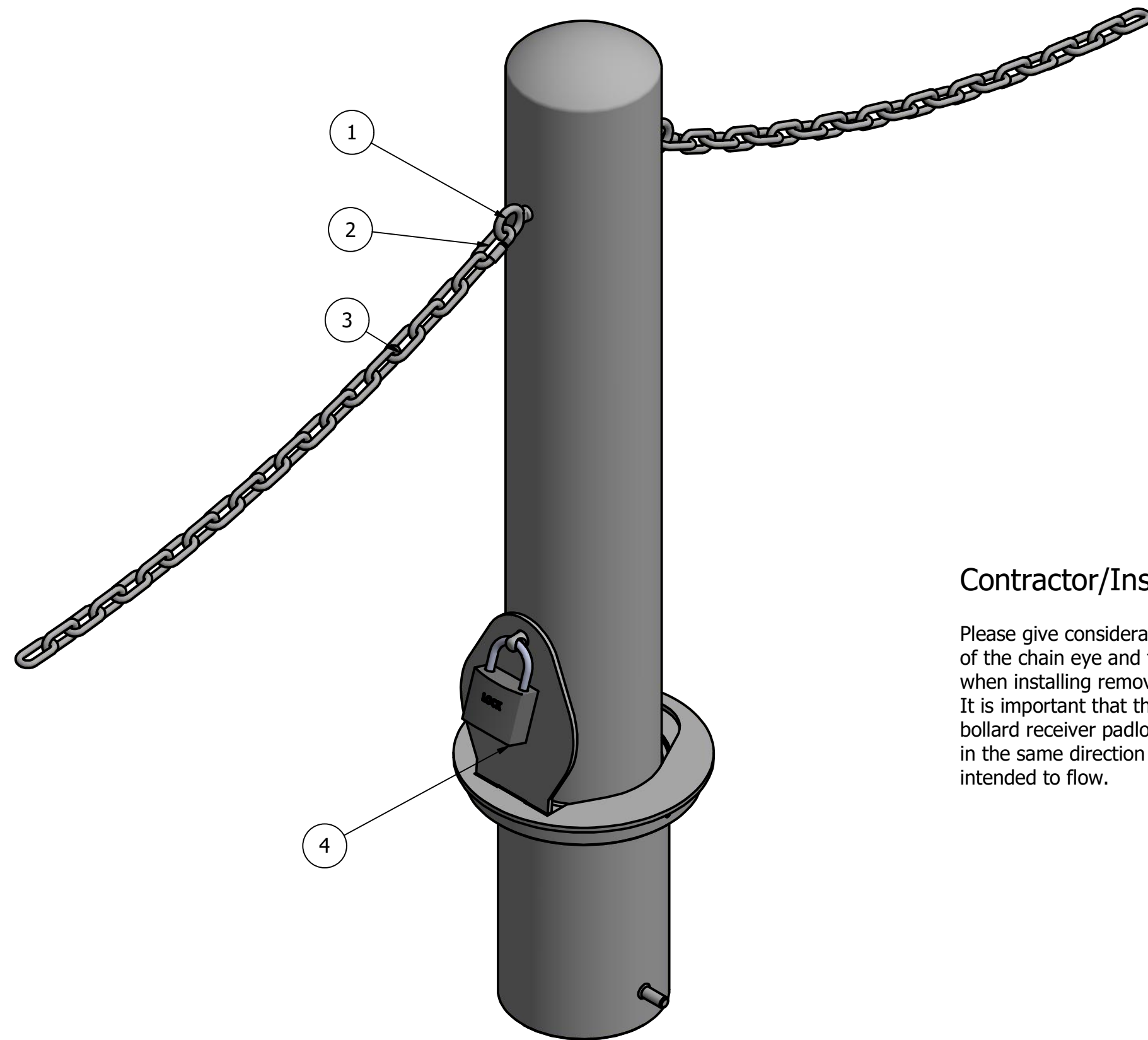
**Bollard R-8912-FL**

SIZE  
**C**

DWG NO  
**R8912FL**

REV  
**A**

# Bollard R-8912



### Contractor/Installor Alert:

Please give consideration to the location of the chain eye and the padlock pin when installing removable bollard receiver. It is important that the removable bollard receiver padlock pin is oriented in the same direction as the chain is intended to flow.

### General Description:

The R-8912 stainless steel bollard features a simple, contemporary design. Made from premium 316 stainless steel for maximum corrosion resistance. A range of custom mounting options exist, making for easy installation into any site location. R-8912 stainless steel bollards are a wider version of the R-8902 model, with a diameter of 6.5 inches. Optional reflector stripes offered. Concrete embedment, bolt-down flange, and removable receiver mounting options available.

For more information on bollard post installation, please visit: [www.reliance-foundry.com/bollard/installation-bollards](http://www.reliance-foundry.com/bollard/installation-bollards)

### Specifications:

Height: 36" ( Above Grade )

Base Diameter: 6 1/2"

Weight: 52 lbs

Material: Stainless Steel

#### Finish Options:

- ✓ Polyester Powdercoated  
See Reliance Foundry's standard color options at [www.reliance-foundry.com/bollard/colors-bollards](http://www.reliance-foundry.com/bollard/colors-bollards)

### Mount Options:

- Removable Receiver with Lid (see sheet 2 of 4)
- Fixed Embedded Mount (see sheet 3 of 4)
- ✓ Optional Chain Accessory (see sheet 4 of 4)

## Optional Chain Accessories Installation Details

PARTS LIST			
ITEM	PART NUMBER	DESCRIPTION	MATERIAL
1	Chain Eye 3/8" (Optional)	Optional Chain Eye 3/8"	Steel Powder Coated
2	Quick Link Connector (Optional)	Optional Quick Link Connector	Steel Powder Coated
3	Chain 5/16" (Optional)	Optional Chain 5/16" (Sold by Length)	Steel Powder Coated
4	Padlock (Optional)	Optional Padlock (Brass or Stainless Steel)	Choice of Brass or Stainless Steel

**RELIANCE FOUNDRY**  
SINCE 1925

Unit 207, 6450 - 148 Street, Surrey, BC V3S 7G7, Canada  
1-877-789-3245 info@reliance-foundry.com  
[www.reliance-foundry.com](http://www.reliance-foundry.com)

TITLE			
<b>Bollard R-8912</b>			
SIZE	DWG NO	REV	
C	R8912CH_R7912R	A	