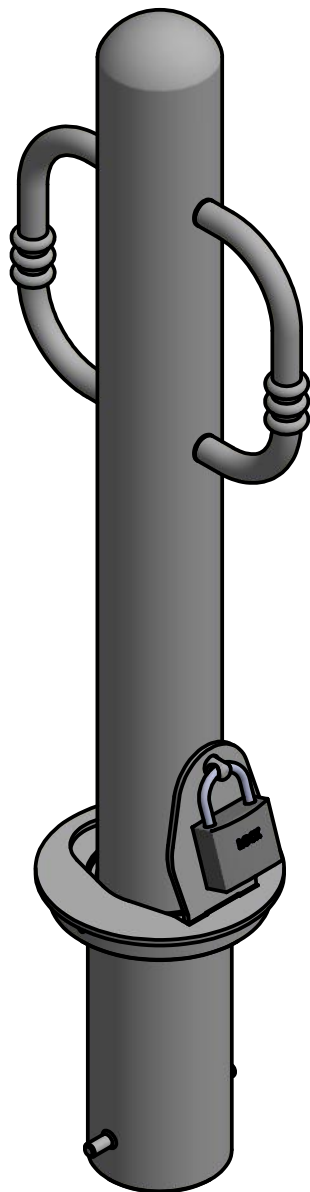
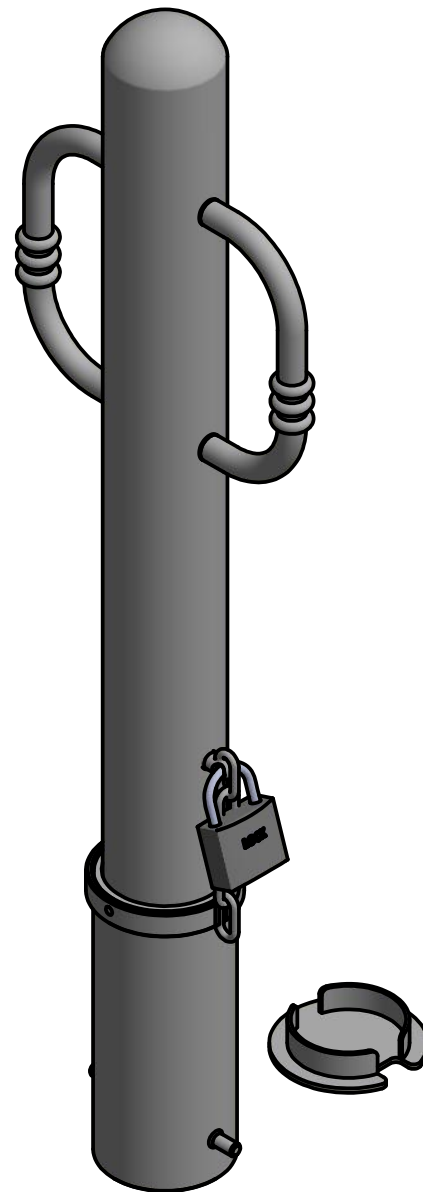


Bike Bollard R-8904

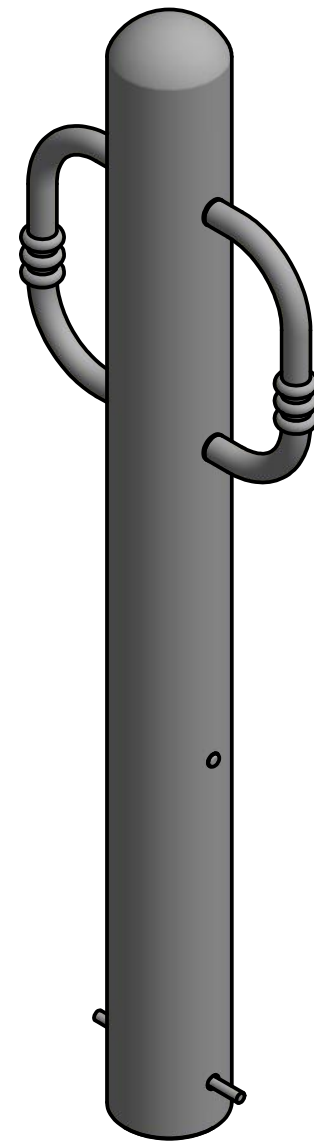
Removable Receiver with Lid
(for detail, see sheet 2 of 6)



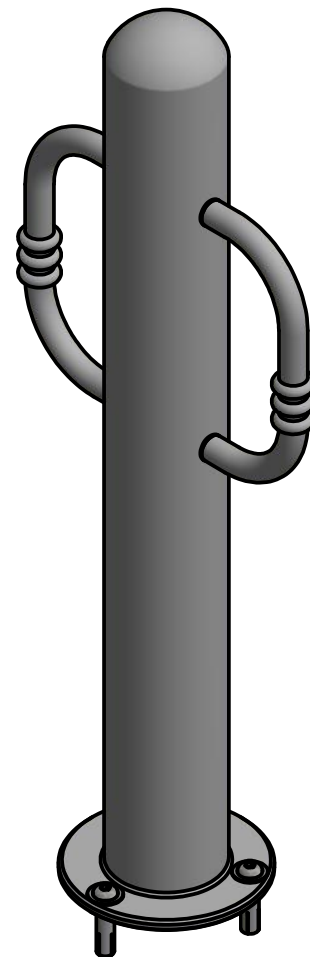
Removable Receiver with Chain
(for detail, see sheet 3 of 6)



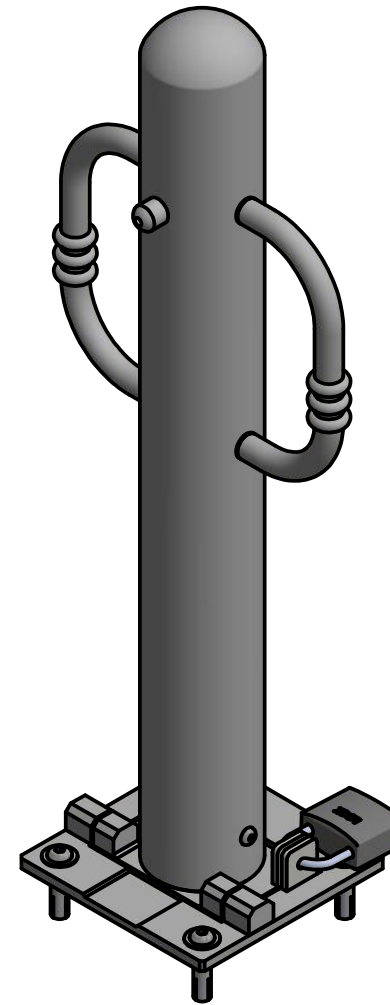
Fixed Embedded Mount
(for detail, see sheet 4 of 6)



Flanged Surface Mount
(for detail, see sheet 5 of 6)



Fold Down Mount
(for detail, see sheet 6 of 6)



5 Available Mounting Options

General Description:

The R-8904 Bike offers versatile design and functionality. Stainless steel bike-locking arms are bolted internally to ensure secure storage for cyclists. Locking arms can also be used to assist in removal and transport for removable applications. R-8904 Bike Bollards are made from 316-grade stainless steel for premium aesthetics and high resistance to corrosion and wear. Select from a range of mounting options: bolt-down flange, in-ground embed, fold-down and removable mountings.

For more information on bollard post installation, please visit: www.reliance-foundry.com/bollard/installation-bollards

Specifications:

Height: 36" (Above Grade)

Base Diameter: 4 3/8"

Weight: 37 lbs (Bollard Post Full Length)

Material: Stainless Steel 316

Finish Options:

- Satin Surface Finish Buffed No. 6
 - Polyester Powdercoated (Optional)
- See Reliance Foundry's standard color options at www.reliance-foundry.com/bollard/colors-bollards

RELIANCE FOUNDRY
SINCE 1925

Unit 207, 6450 - 148 Street, Surrey, BC V3S 7G7, Canada
1-888-735-5680 info@reliance-foundry.com
www.reliance-foundry.com

TITLE

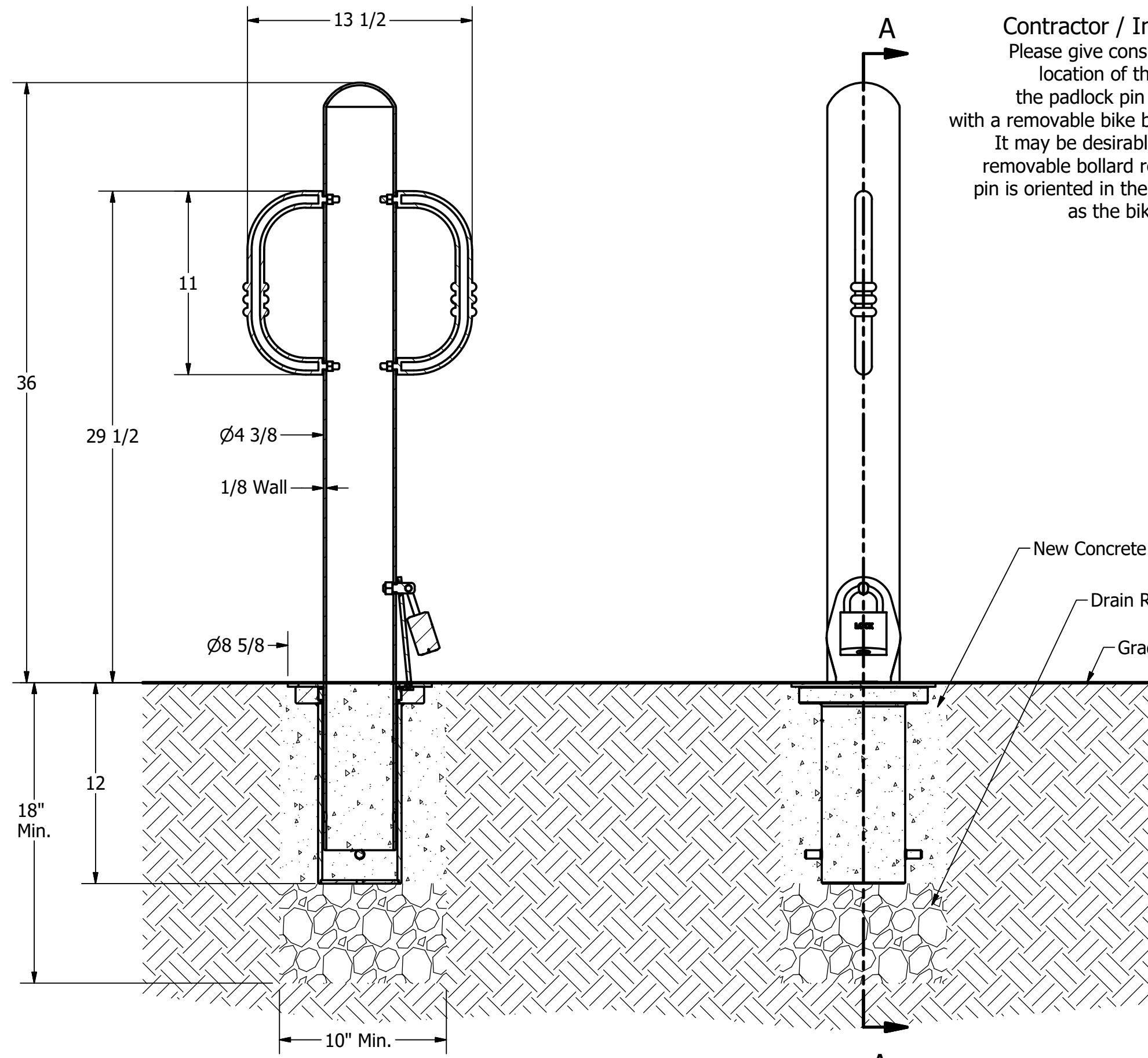
Bike Bollard R-8904

SIZE
C

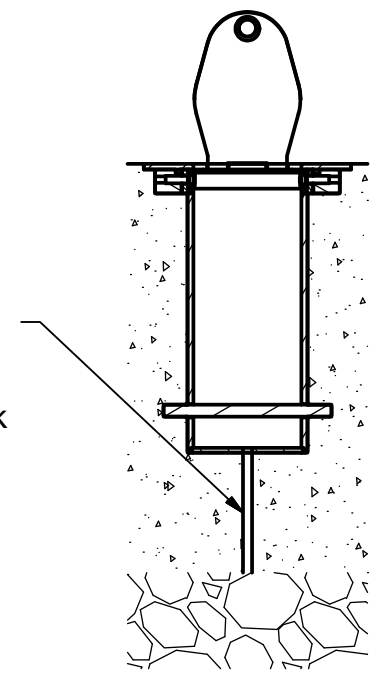
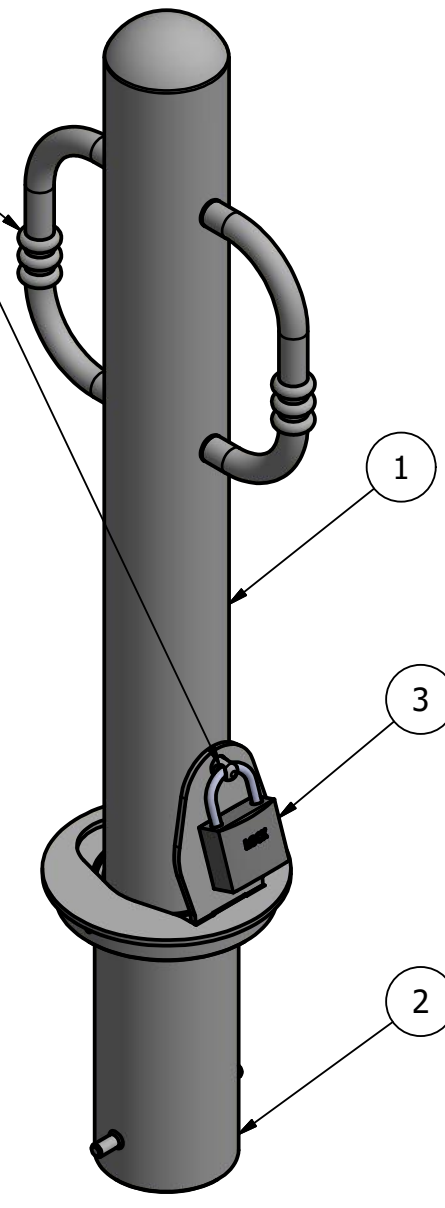
DWG NO
R-8904

REV
C2

Bike Bollard R-8904



Contractor / Installer Alert:
Please give consideration to the location of the bike arm and the padlock pin when installing with a removable bike bollard receiver. It may be desirable to ensure the removable bollard receiver padlock pin is oriented in the same direction as the bike bollard arms.



General Description:

The R-8904 Bike offers versatile design and functionality. Stainless steel bike-locking arms are bolted internally to ensure secure storage for cyclists. Locking arms can also be used to assist in removal and transport for removable applications. R-8904 Bike Bollards are made from 316-grade stainless steel for premium aesthetics and high resistance to corrosion and wear. Select from a range of mounting options: bolt-down flange, in-ground embed, fold-down and removable mountings.

For more information on bollard post installation, please visit: www.reliance-foundry.com/bollard/installation-bollards

Specifications:

- Height: 36" (Above Grade)
- Base Diameter: 4 3/8"
- Weight: 37 lbs (Bollard Post Full Length)
- Material: Stainless Steel 316

Finish Options:

- ⊙ Satin Surface Finish Buffed No. 6
 - Polyester Powdercoated (Optional)
- See Reliance Foundry's standard color options at www.reliance-foundry.com/bollard/colors-bollards

Mount Options:

- ✓ Removable Receiver with Lid (see sheet 2 of 6)
- Removable Receiver with Chain (see sheet 3 of 6)
- Fixed Embedded Mount (see sheet 4 of 6)
- Flanged Surface Mount (see sheet 5 of 6)
- Fold Down Mount (see sheet 6 of 6)

SECTION A-A

Removable Receiver with Lid

Notes:

- Embedment details are for reference illustration only. Minimum foundation sizes depend on local soil conditions, weather conditions, and engineering requirements.
- Bollard post is provided as shown, with material detailed in legend below. Concrete, foundation and/or installation ordered separately or provided by others.
- This drawing is not drawn to scale. Dimensions provided herein is for reference only. Please consult Reliance Foundry sales professionals if any dimension is critical to your particular installation.
- Reliance Foundry reserves the right to amend design and specifications without prior notice for product improvement.

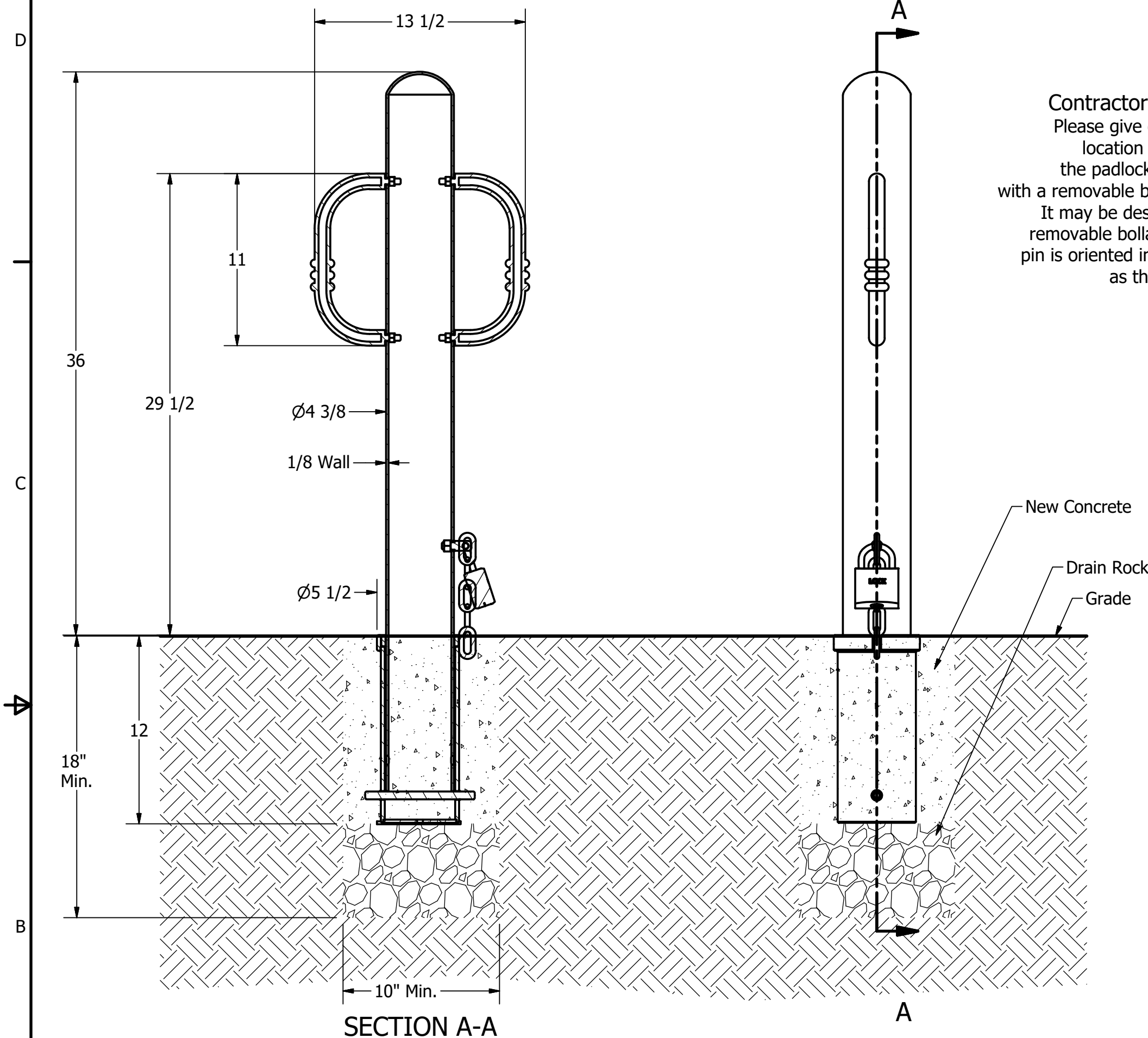
PARTS LIST					
ITEM	QTY	PART NUMBER	DESCRIPTION	MATERIAL	WEIGHT
1	1	R8904 Removable	R8904 Removable Bollard Assembly	Stainless Steel 316	37 lbs
2	1	R8901R Receiver	R8901R Receiver Assembly w/ Lid	Stainless Steel 316	25 lbs
3	1	Padlock (Optional)	Optional Padlock (Brass or Stainless Steel)	Choice of Brass or Stainless Steel	5/8 lbs



Unit 207, 6450 - 148 Street, Surrey, BC V3S 7G7, Canada
1-888-735-5680 info@reliance-foundry.com
www.reliance-foundry.com

TITLE			
Bike Bollard R-8904			
SIZE	DWG NO	REV	
C	R-8904	C2	
NOT TO SCALE		SHEET 2 OF 6	

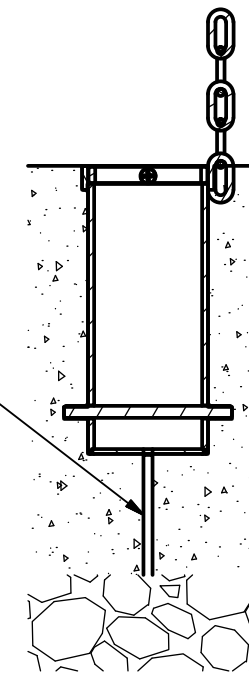
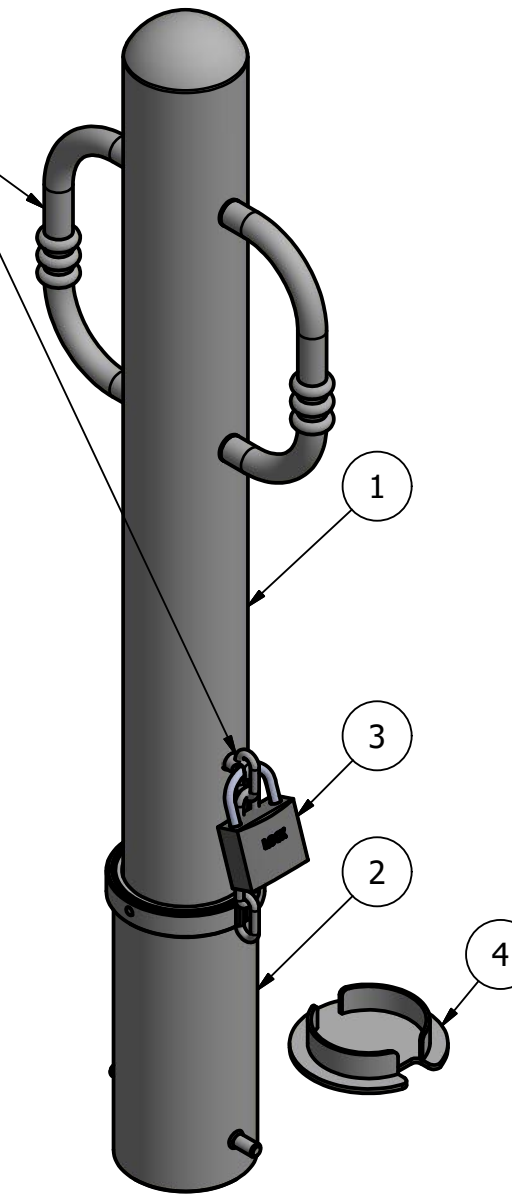
Bike Bollard R-8904



Contractor / Installer Alert:
Please give consideration to the location of the bike arm and the padlock pin when installing with a removable bike bollard receiver. It may be desirable to ensure the removable bollard receiver padlock pin is oriented in the same direction as the bike bollard arms.

New Concrete
Drain Rock
Grade

* If local frost line exceeds 12" deep, provide adequate drainage by piping through concrete, connect to drain rock layer underneath



General Description:

The R-8904 Bike offers versatile design and functionality. Stainless steel bike-locking arms are bolted internally to ensure secure storage for cyclists. Locking arms can also be used to assist in removal and transport for removable applications. R-8904 Bike Bollards are made from 316-grade stainless steel for premium aesthetics and high resistance to corrosion and wear. Select from a range of mounting options: bolt-down flange, in-ground embed, fold-down and removable mountings.

For more information on bollard post installation, please visit: www.reliance-foundry.com/bollard/installation-bollards

Specifications:

Height: 36" (Above Grade)

Base Diameter: 4 3/8"

Weight: 37 lbs (Bollard Post Full Length)

Material: Stainless Steel 316

Finish Options:

- Satin Surface Finish Buffed No. 6
 - Polyester Powdercoated (Optional)
- See Reliance Foundry's standard color options at www.reliance-foundry.com/bollard/colors-bollards

Mount Options:

- Removable Receiver with Lid (see sheet 2 of 6)
- Removable Receiver with Chain (see sheet 3 of 6)
- Fixed Embedded Mount (see sheet 4 of 6)
- Flanged Surface Mount (see sheet 5 of 6)
- Fold Down Mount (see sheet 6 of 6)

Removable Receiver with Chain

Notes:

- Embedment details are for reference illustration only. Minimum foundation sizes depend on local soil conditions, weather conditions, and engineering requirements.
- Bollard post is provided as shown, with material detailed in legend below. Concrete, foundation and/or installation ordered separately or provided by others.
- This drawing is not drawn to scale. Dimensions provided herein is for reference only. Please consult Reliance Foundry sales professionals if any dimension is critical to your particular installation.
- Reliance Foundry reserves the right to amend design and specifications without prior notice for product improvement.

PARTS LIST					
ITEM	QTY	PART NUMBER	DESCRIPTION	MATERIAL	WEIGHT
1	1	R8904 Removable	R8904 Removable Bollard Assembly	Stainless Steel 316	37 lbs
2	1	R8902R Receiver	R8902R Receiver Assembly	Stainless Steel 316	17 lbs
3	1	Padlock (Optional)	Optional Padlock (Brass or Stainless Steel)	Choice of Brass or Stainless Steel	5/8 lbs
4	1	R8902RC Receiver Cover (Optional)	Optional R8902RC Receiver Cover	Stainless Steel 316	2 lbs

RELIANCE FOUNDRY
SINCE 1925

Unit 207, 6450 - 148 Street, Surrey, BC V3S 7G7, Canada
1-888-735-5680 info@reliance-foundry.com
www.reliance-foundry.com

TITLE

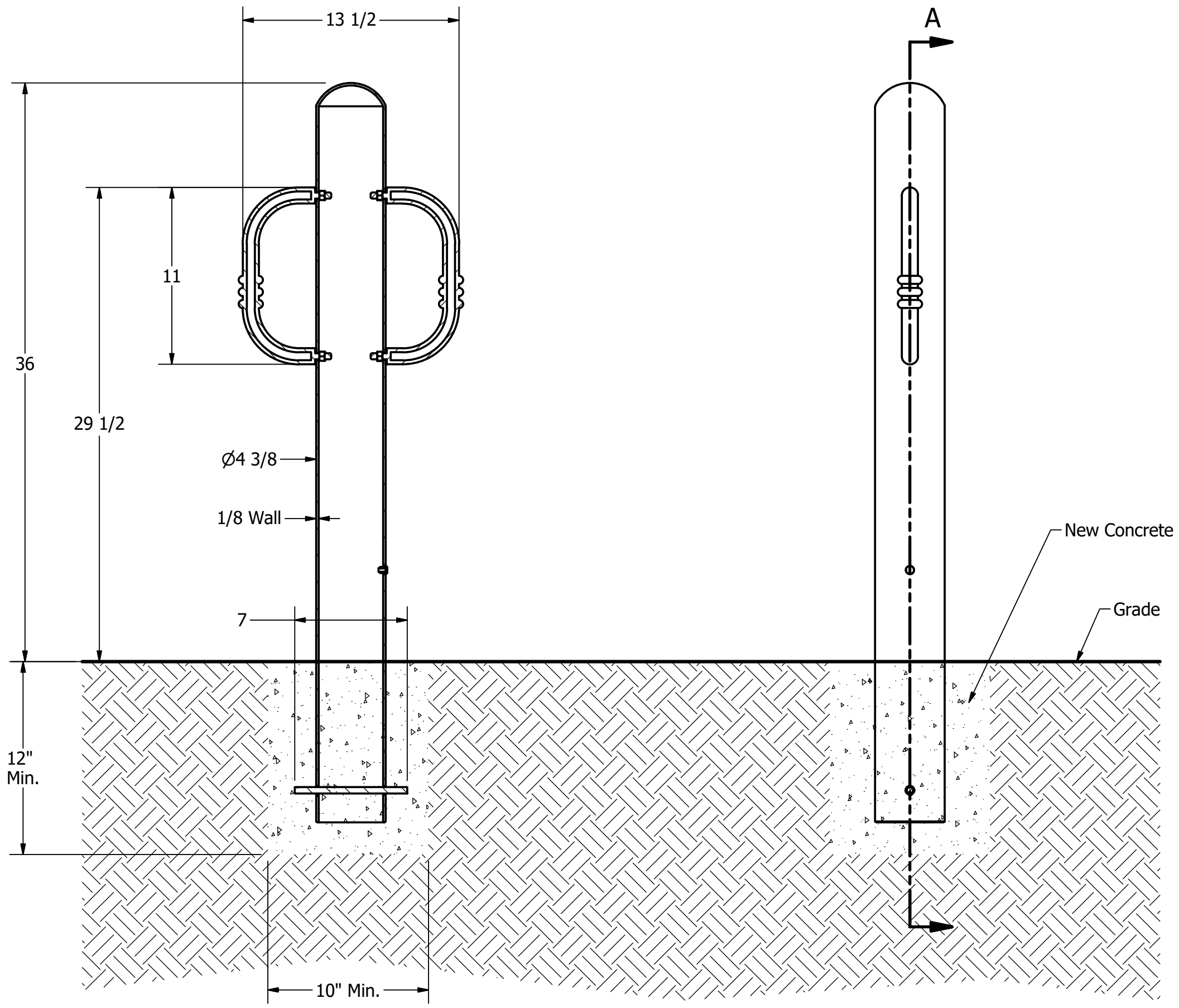
Bike Bollard R-8904

SIZE
C

DWG NO
R-8904

REV
C2

Bike Bollard R-8904



SECTION A-A

A

Fixed Installation in New Concrete

Notes:

- Embedment details are for reference illustration only. Minimum foundation sizes depend on local soil conditions, weather conditions, and engineering requirements.
- Bollard post is provided as shown, with material detailed in legend below. Concrete, foundation and/or installation ordered separately or provided by others.
- This drawing is not drawn to scale. Dimensions provided herein is for reference only. Please consult Reliance Foundry sales professionals if any dimension is critical to your particular installation.
- Reliance Foundry reserves the right to amend design and specifications without prior notice for product improvement.

PARTS LIST					
ITEM	QTY	PART NUMBER	DESCRIPTION	MATERIAL	WEIGHT
1	1	R8904 Fixed Bollard	R8904 Fixed Bollard Assembly	Stainless Steel 316	37 lbs
2	1	Polyethylene Plug 1/2"	Polyethylene Plug 1/2"	Polyethylene Plastic	
3	1	Steel Rebar	Steel Rebar 10 mm x 7"	Steel Epoxy Coated	3/8 lbs

General Description:

The R-8904 Bike offers versatile design and functionality. Stainless steel bike-locking arms are bolted internally to ensure secure storage for cyclists. Locking arms can also be used to assist in removal and transport for removable applications. R-8904 Bike Bollards are made from 316-grade stainless steel for premium aesthetics and high resistance to corrosion and wear. Select from a range of mounting options: bolt-down flange, in-ground embed, fold-down and removable mountings.

For more information on bollard post installation, please visit: www.reliance-foundry.com/bollard/installation-bollards

Specifications:

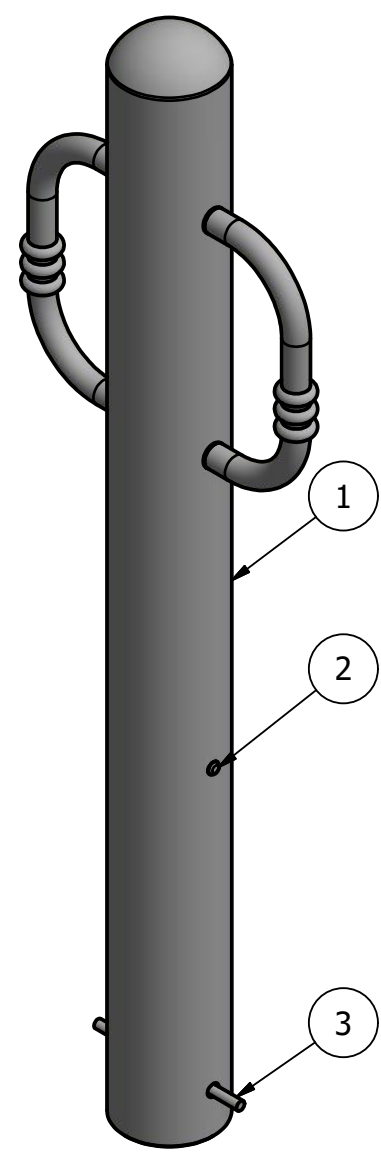
- Height: 36" (Above Grade)
- Base Diameter: 4 3/8"
- Weight: 37 lbs (Bollard Post Full Length)
- Material: Stainless Steel 316

Finish Options:

- ⊙ Satin Surface Finish Buffed No. 6
 - Polyester Powdercoated (Optional)
- See Reliance Foundry's standard color options at www.reliance-foundry.com/bollard/colors-bollards

Mount Options:

- Removable Receiver with Lid (see sheet 2 of 6)
- Removable Receiver with Chain (see sheet 3 of 6)
- ✓ Fixed Embedded Mount (see sheet 4 of 6)
- Flanged Surface Mount (see sheet 5 of 6)
- Fold Down Mount (see sheet 6 of 6)



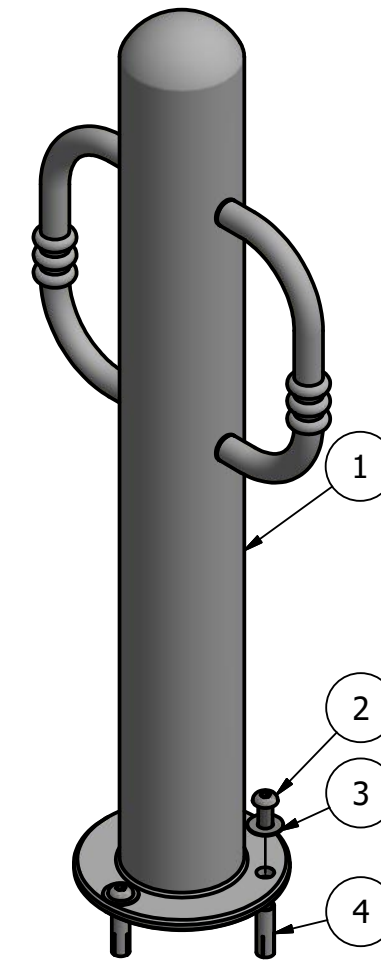
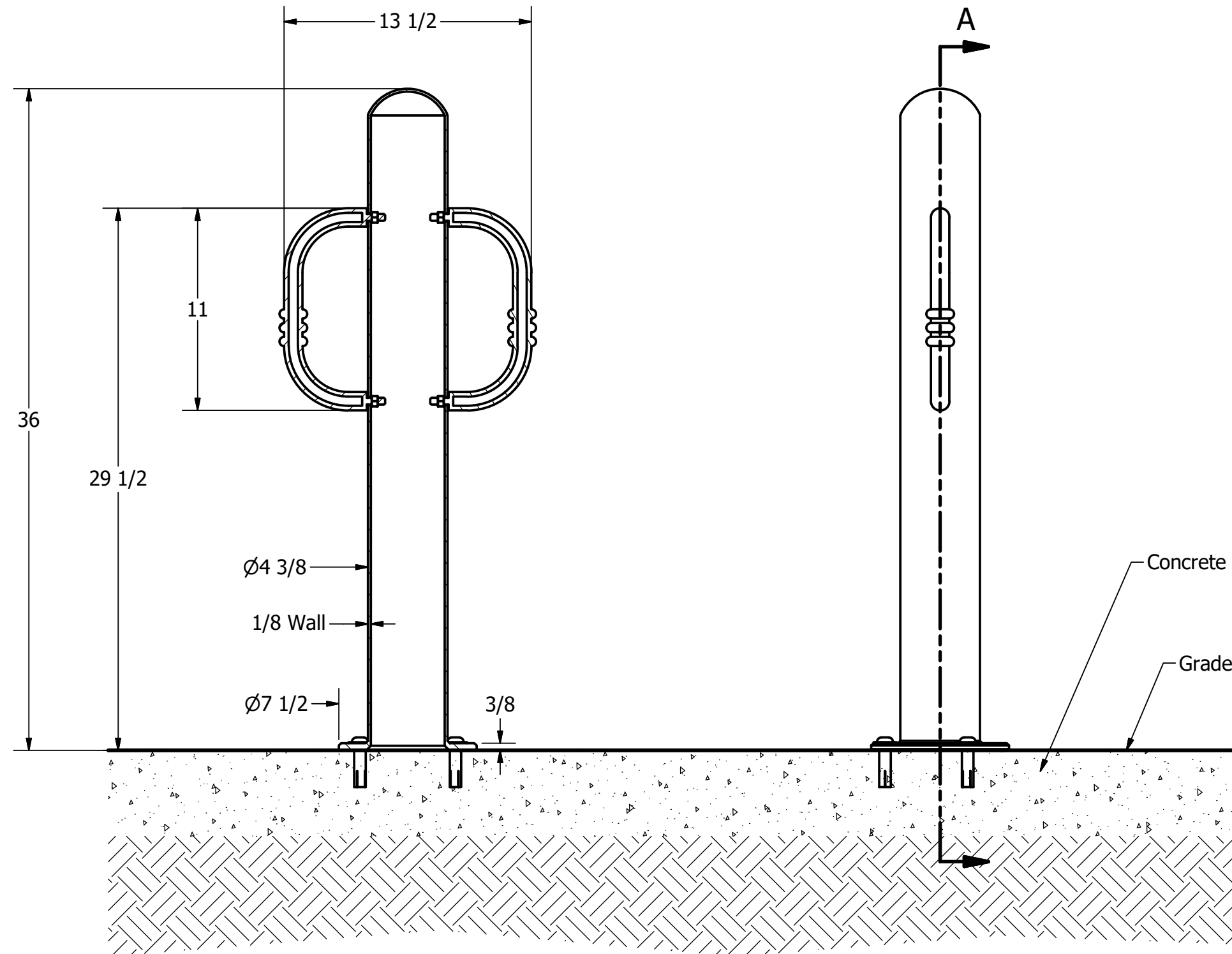
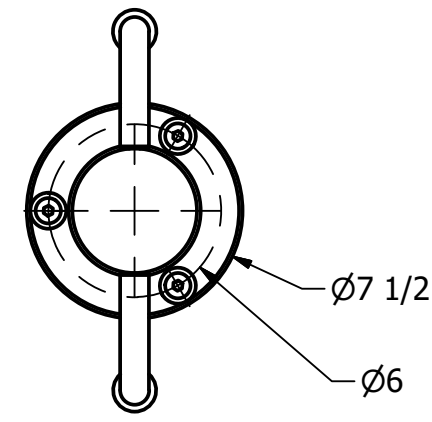
RELIANCE FOUNDRY
SINCE 1925

Unit 207, 6450 - 148 Street, Surrey, BC V3S 7G7, Canada
1-888-735-5680 info@reliance-foundry.com
www.reliance-foundry.com

Bike Bollard R-8904

SIZE	DWG NO	REV
C	R-8904	C2

Bike Bollard R-8904



SECTION A-A

A

Flanged / Surface Mount

Notes:

- Embedment details are for reference illustration only. Minimum foundation sizes depend on local soil conditions, weather conditions, and engineering requirements.
- Bollard post is provided as shown, with material detailed in legend below. Concrete, foundation and/or installation ordered separately or provided by others.
- This drawing is not drawn to scale. Dimensions provided herein is for reference only. Please consult Reliance Foundry sales professionals if any dimension is critical to your particular installation.
- Reliance Foundry reserves the right to amend design and specifications without prior notice for product improvement.

General Description:

The R-8904 Bike offers versatile design and functionality. Stainless steel bike-locking arms are bolted internally to ensure secure storage for cyclists. Locking arms can also be used to assist in removal and transport for removable applications. R-8904 Bike Bollards are made from 316-grade stainless steel for premium aesthetics and high resistance to corrosion and wear. Select from a range of mounting options: bolt-down flange, in-ground embed, fold-down and removable mountings.

For more information on bollard post installation, please visit: www.reliance-foundry.com/bollard/installation-bollards

Specifications:

- Height: 36" (Above Grade)
- Base Diameter: 4 3/8"
- Weight: 37 lbs (Bollard Post Full Length)
- Material: Stainless Steel 316

Finish Options:

- Satin Surface Finish Buffed No. 6
 - Polyester Powdercoated (Optional)
- See Reliance Foundry's standard color options at www.reliance-foundry.com/bollard/colors-bollards

Mount Options:

- Removable Receiver with Lid (see sheet 2 of 6)
- Removable Receiver with Chain (see sheet 3 of 6)
- Fixed Embedded Mount (see sheet 4 of 6)
- ✓ Flanged Surface Mount (see sheet 5 of 6)
- Fold Down Mount (see sheet 6 of 6)

RELIANCE FOUNDRY
SINCE 1925

Unit 207, 6450 - 148 Street, Surrey, BC V3S 7G7, Canada
1-888-735-5680 info@reliance-foundry.com
www.reliance-foundry.com

TITLE

Bike Bollard R-8904

SIZE
C

DWG NO
R-8904

REV
C2

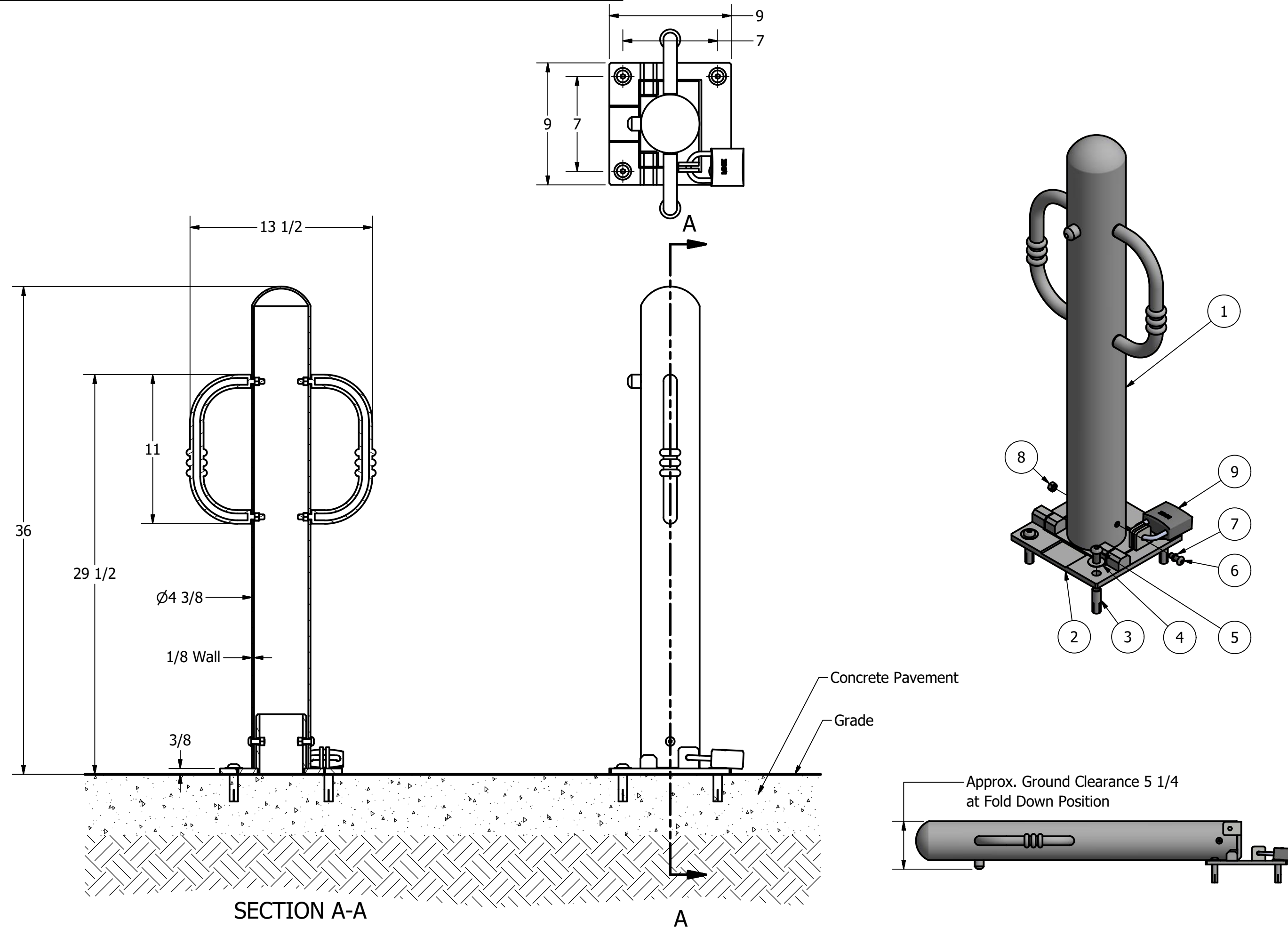
PARTS LIST					
ITEM	QTY	PART NUMBER	DESCRIPTION	MATERIAL	WEIGHT
1	1	R8904 flanged Bollard	R8904 Flanged Bollard Assembly	Stainless Steel 316	36 lbs
2	3	Button Head Bolt 1/2" x 1 1/4"	Hexagon Socket Button Head Cap Bolt 1/2" x 1 1/4" - requires 5/16" hex key	Stainless Steel	1/8 lbs
3	3	Stainless Steel Washer 1/2"	Stainless Steel Washer 1/2" OD 1 1/4" Thick .05"	Stainless Steel	
4	3	Drop-in Concrete Insert 1/2"	Drop-in Concrete Insert 1/2" - requires 5/8" x 2" hole (dia. x depth)	Steel Plated	1/8 lbs

COPYRIGHT RESERVED THIS PLAN DRAWING AND DESIGN ARE, AND AT ALL TIMES REMAIN, THE EXCLUSIVE PROPERTY OF RELIANCE FOUNDRY CO. LTD.

NOT TO SCALE

SHEET 5 OF 6

Bike Bollard R-8904



Fold Down Mount

Notes:

- Embedment details are for reference illustration only. Minimum foundation sizes depend on local soil conditions, weather conditions, and engineering requirements.
- Bollard post is provided as shown, with material detailed in legend below. Concrete, foundation and/or installation ordered separately or provided by others.
- This drawing is not drawn to scale. Dimensions provided herein is for reference only. Please consult Reliance Foundry sales professionals if any dimension is critical to your particular installation.
- Reliance Foundry reserves the right to amend design and specifications without prior notice for product improvement.

PARTS LIST

ITEM	QTY	PART NUMBER	DESCRIPTION	MATERIAL	WEIGHT
1	1	R8904 Fold Down Bollard	R8904 Fold Down Bollard Assembly	Stainless Steel 316	33 lbs
2	1	R7950A Fold Down Base	R7950A Fold Down Base Assembly	Steel HDG	15 lbs
3	4	Drop-in Concrete Insert 1/2"	Drop-in Concrete Insert 1/2" - requires 5/8" x 2" hole (dia. x depth)	Steel Plated	1/8 lbs
4	4	Stainless Steel Washer 1/2"	Stainless Steel Washer 1/2" OD 1 1/4" Thick .05"	Stainless Steel	
5	4	Button Head Bolt 1/2" x 1 1/4"	Hexagon Socket Button Head Cap Bolt 1/2" x 1 1/4" - requires 5/16" hex key	Stainless Steel	1/8 lbs
6	2	Button Head Bolt 3/8" x 1"	Hexagon Socket Button Head Cap Bolt 3/8" x 1" - requires 7/32" hex key	Stainless Steel	
7	2	O-Ring 3/8"	Nitrile Rubber O-Ring 3/8"	Nitrile Rubber	
8	2	Hex Nut Nylon Lock 3/8"	Hex Nut Nylon Lock 3/8" - requires 9/16" wrench	Steel Plated Nylon Lock	
9	1	Padlock (Optional)	Optional Padlock (Brass or Stainless Steel)	Choice of Brass or Stainless Steel	5/8 lbs

General Description:

The R-8904 Bike offers versatile design and functionality. Stainless steel bike-locking arms are bolted internally to ensure secure storage for cyclists. Locking arms can also be used to assist in removal and transport for removable applications. R-8904 Bike Bollards are made from 316-grade stainless steel for premium aesthetics and high resistance to corrosion and wear. Select from a range of mounting options: bolt-down flange, in-ground embed, fold-down and removable mountings.

For more information on bollard post installation, please visit: www.reliance-foundry.com/bollard/installation-bollards

Specifications:

Height: 36" (Above Grade)

Base Diameter: 4 3/8"

Weight: 37 lbs (Bollard Post Full Length)

Material: Stainless Steel 316

Finish Options:

- Satin Surface Finish Buffed No. 6
 - Polyester Powdercoated (Optional)
- See Reliance Foundry's standard color options at www.reliance-foundry.com/bollard/colors-bollards

Mount Options:

- Removable Receiver with Lid (see sheet 2 of 6)
- Removable Receiver with Chain (see sheet 3 of 6)
- Fixed Embedded Mount (see sheet 4 of 6)
- Flanged Surface Mount (see sheet 5 of 6)
- ✓ Fold Down Mount (see sheet 6 of 6)

RELIANCE FOUNDRY
SINCE 1925

Unit 207, 6450 - 148 Street, Surrey, BC V3S 7G7, Canada
1-888-735-5680 info@reliance-foundry.com
www.reliance-foundry.com

Bike Bollard R-8904

SIZE	DWG NO	REV
C	R-8904	C2