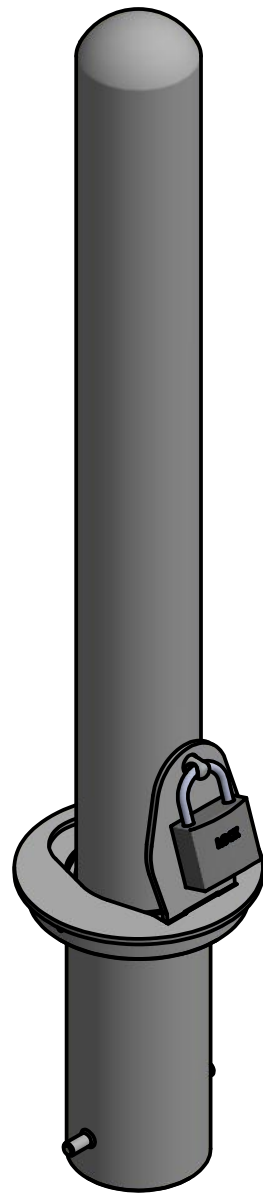
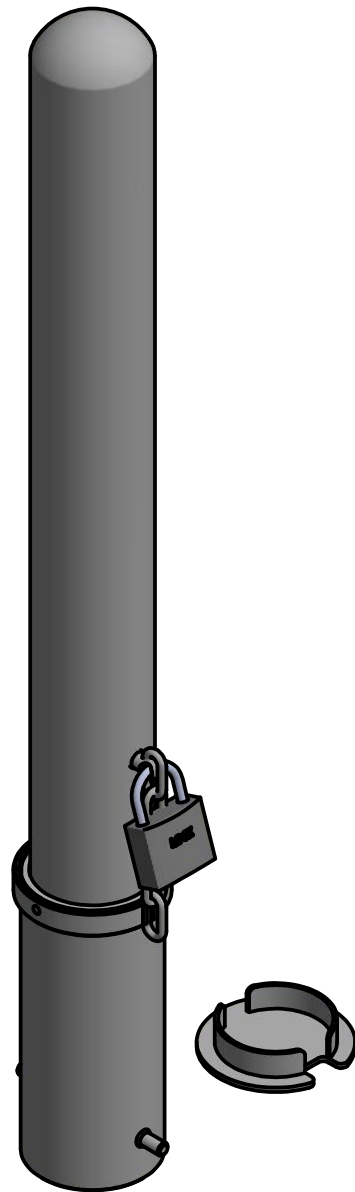


Bollard Post, Model R-8902

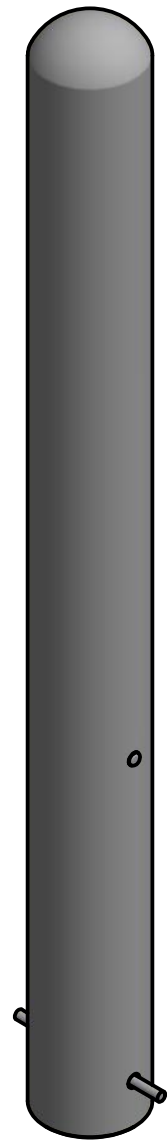
Removable Receiver with Lid
(for detail, see sheet 2 of 7)



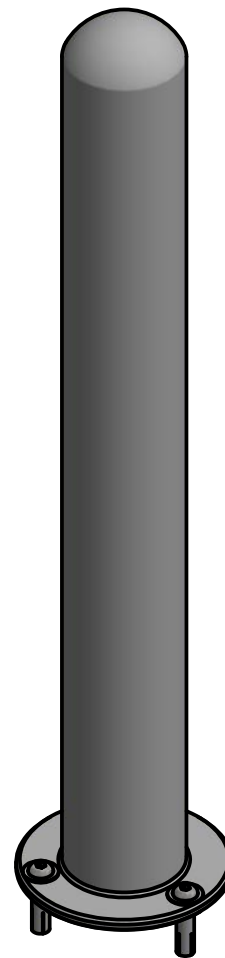
Removable Receiver with Chain
(for detail, see sheet 3 of 7)



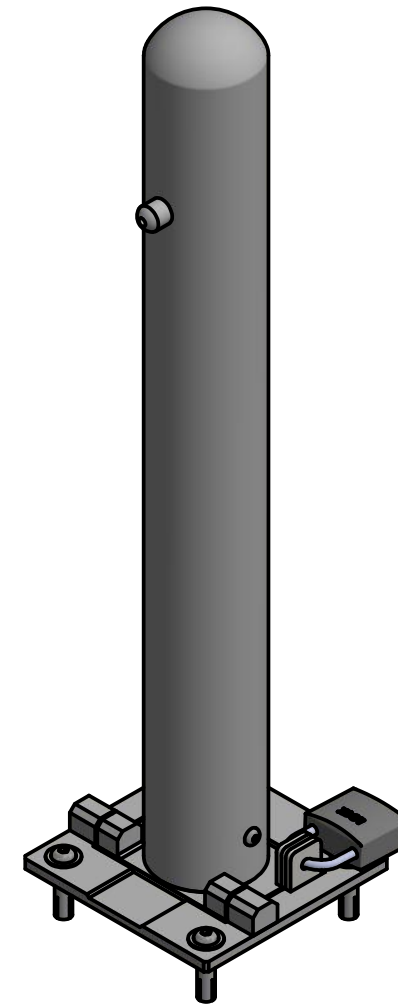
Fixed Embedded Mount
(for detail, see sheet 4 of 7)



Flanged Surface Mount
(for detail, see sheet 5 of 7)

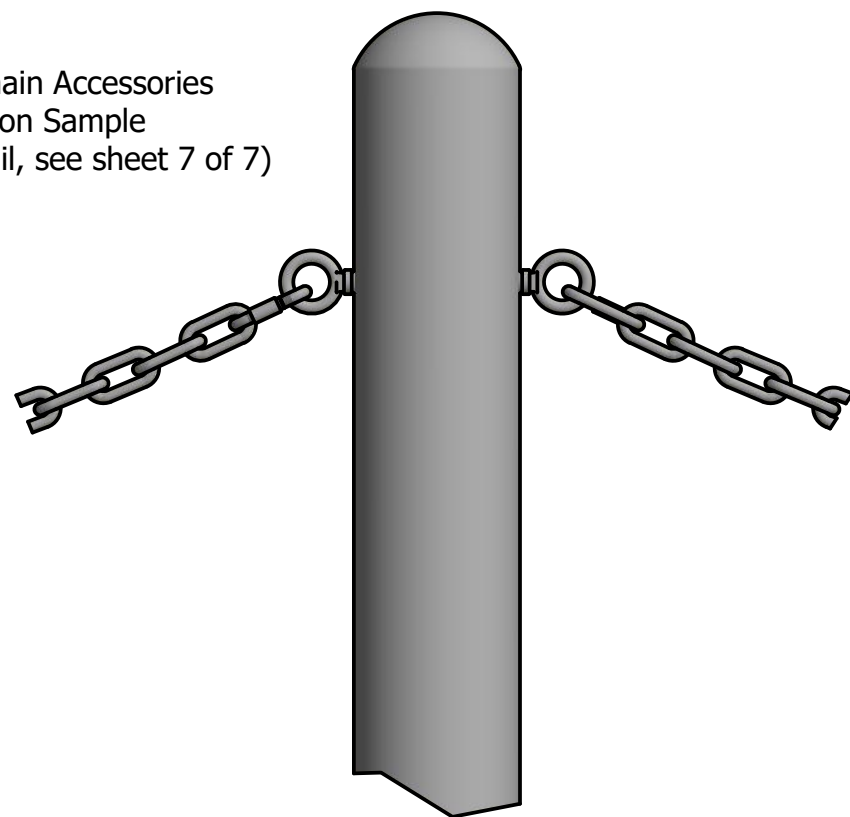


Fold Down Mount
(for detail, see sheet 6 of 7)



5 Available Mounting Options

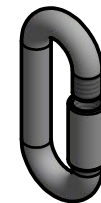
5/16" Chain Accessories Installation Sample
(for detail, see sheet 7 of 7)



Optional Chain Accessories Available



Chain Eye 3/8"
(Powder Coated)



Quick Link Connector
(Powder Coated)



Bollard Chain 5/16"
(Powder Coated)

General Description:

The R-8902 Stainless Steel Bollard features a clean, versatile design and a range of custom mounting options, making it suitable for any site location. R-8902 bollards are made from high-quality 316-grade stainless steel to withstand corrosive outdoor environments. Optional reflector stripes are available. Select from several fixed and removable mounting options: concrete embedment, bolt-down flange, removable receivers and fold-down mountings

For more information on bollard post installation, please visit:
www.reliance-foundry.com/bollard/installation-bollards

Specifications:

Height: 36" (Above Grade)

Base Diameter: 4 3/8"

Weight: 32 lbs (Bollard Post Full Length)

Material: Stainless Steel 316

Finish Options:

- ⊙ Satin Surface Finish Buffed No. 6
 - Polyester Powder Coated (Optional)
- See Reliance Foundry's standard color options at
www.reliance-foundry.com/bollard/colors-bollards

RELIANCE FOUNDRY
SINCE 1925

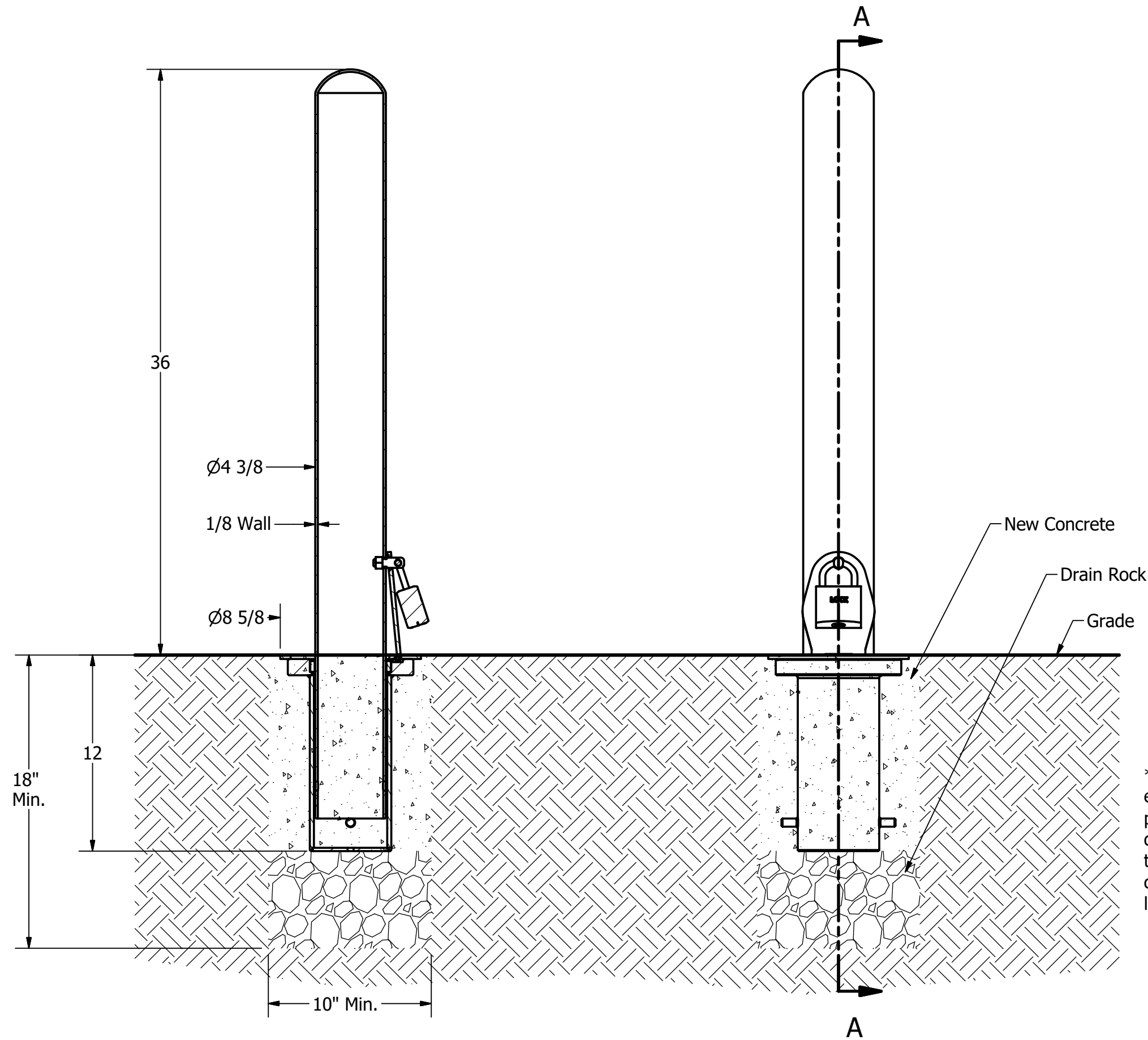
Unit 207, 6450 - 148 Street, Surrey, BC V3S 7G7, Canada
1-888-735-5680 info@reliance-foundry.com
www.reliance-foundry.com

TITLE

Bollard Post, Model R-8902

SIZE	DWG NO	REV
C	R-8902	C1

Bollard Post, Model R-8902



SECTION A-A

Removable Receiver with Lid

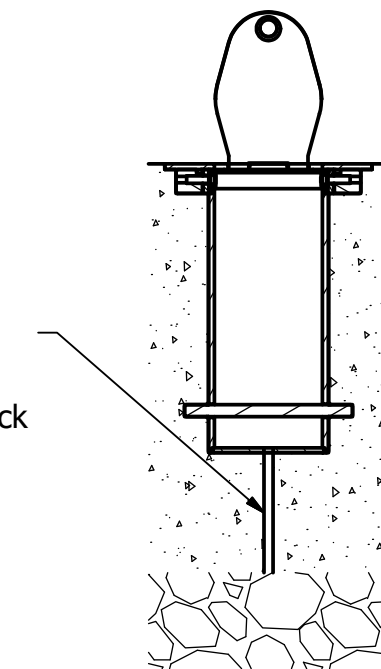
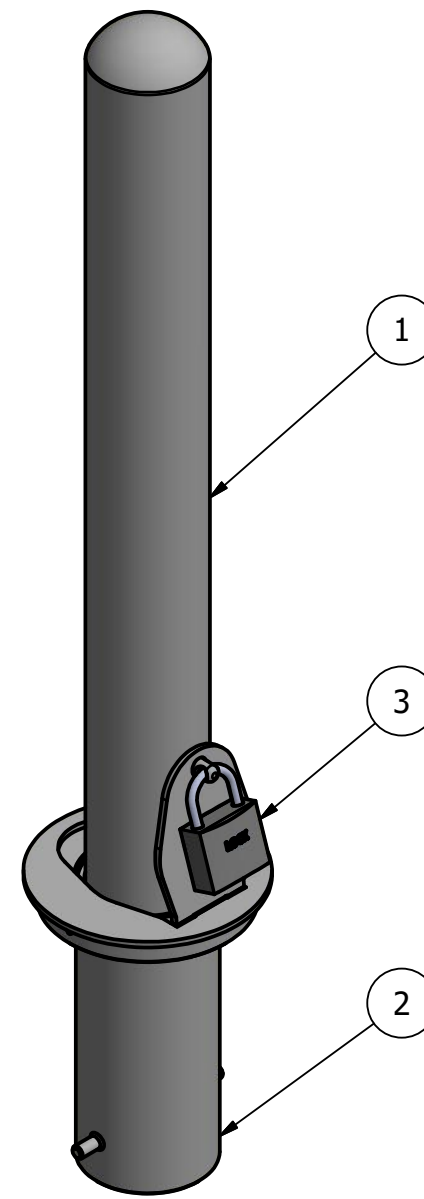
(For important detail regarding installation with OPTIONAL bollard chain accessories, refer to sheet 7 of 7)

Notes:

- Embedment details are for reference illustration only. Minimum foundation sizes depend on local soil conditions, weather conditions, and engineering requirements.
- Bollard post is provided as shown, with material detailed in legend below. Concrete, foundation and/or installation ordered separately or provided by others.
- This drawing is not drawn to scale. Dimensions provided herein is for reference only. Please consult Reliance Foundry sales professionals if any dimension is critical to your particular installation.
- Reliance Foundry reserves the right to amend design and specifications without prior notice for product improvement.

PARTS LIST					
ITEM	QTY	PART NUMBER	DESCRIPTION	MATERIAL	WEIGHT
1	1	R8902 Removable	Bollard R8902 Removable Assembly	Stainless Steel 316	32 lbs
2	1	R8901R Receiver	R8901R Receiver Assembly w/ Lid	Stainless Steel 316	25 lbs
3	1	Padlock (Optional)	Optional Padlock (Brass or Stainless Steel)	Choice of Brass or Stainless Steel	5/8 lbs

COPYRIGHT RESERVED THIS PLAN DRAWING AND DESIGN ARE, AND AT ALL TIMES REMAIN, THE EXCLUSIVE PROPERTY OF RELIANCE FOUNDRY CO. LTD.



General Description:

The R-8902 Stainless Steel Bollard features a clean, versatile design and a range of custom mounting options, making it suitable for any site location. R-8902 bollards are made from high-quality 316-grade stainless steel to withstand corrosive outdoor environments. Optional reflector stripes are available. Select from several fixed and removable mounting options: concrete embedment, bolt-down flange, removable receivers and fold-down mountings

For more information on bollard post installation, please visit: www.reliance-foundry.com/bollard/installation-bollards

Specifications:

Height: 36" (Above Grade)

Base Diameter: 4 3/8"

Weight: 32 lbs (Bollard Post Full Length)

Material: Stainless Steel 316

Finish Options:

- Satin Surface Finish Buffed No. 6
 - Polyester Powder Coated (Optional)
- See Reliance Foundry's standard color options at www.reliance-foundry.com/bollard/colors-bollards

Mount Options:

- ✓ Removable Receiver with Lid (see sheet 2 of 7)
- Removable Receiver with Chain (see sheet 3 of 7)
- Fixed Embedded Mount (see sheet 4 of 7)
- Flanged Surface Mount (see sheet 5 of 7)
- Fold Down Mount (see sheet 6 of 7)
- Optional Chain Accessory (see sheet 7 of 7)

RELIANCE FOUNDRY
SINCE 1925

Unit 207, 6450 - 148 Street, Surrey, BC V3S 7G7, Canada
1-888-735-5680 info@reliance-foundry.com
www.reliance-foundry.com

TITLE

Bollard Post, Model R-8902

SIZE
C

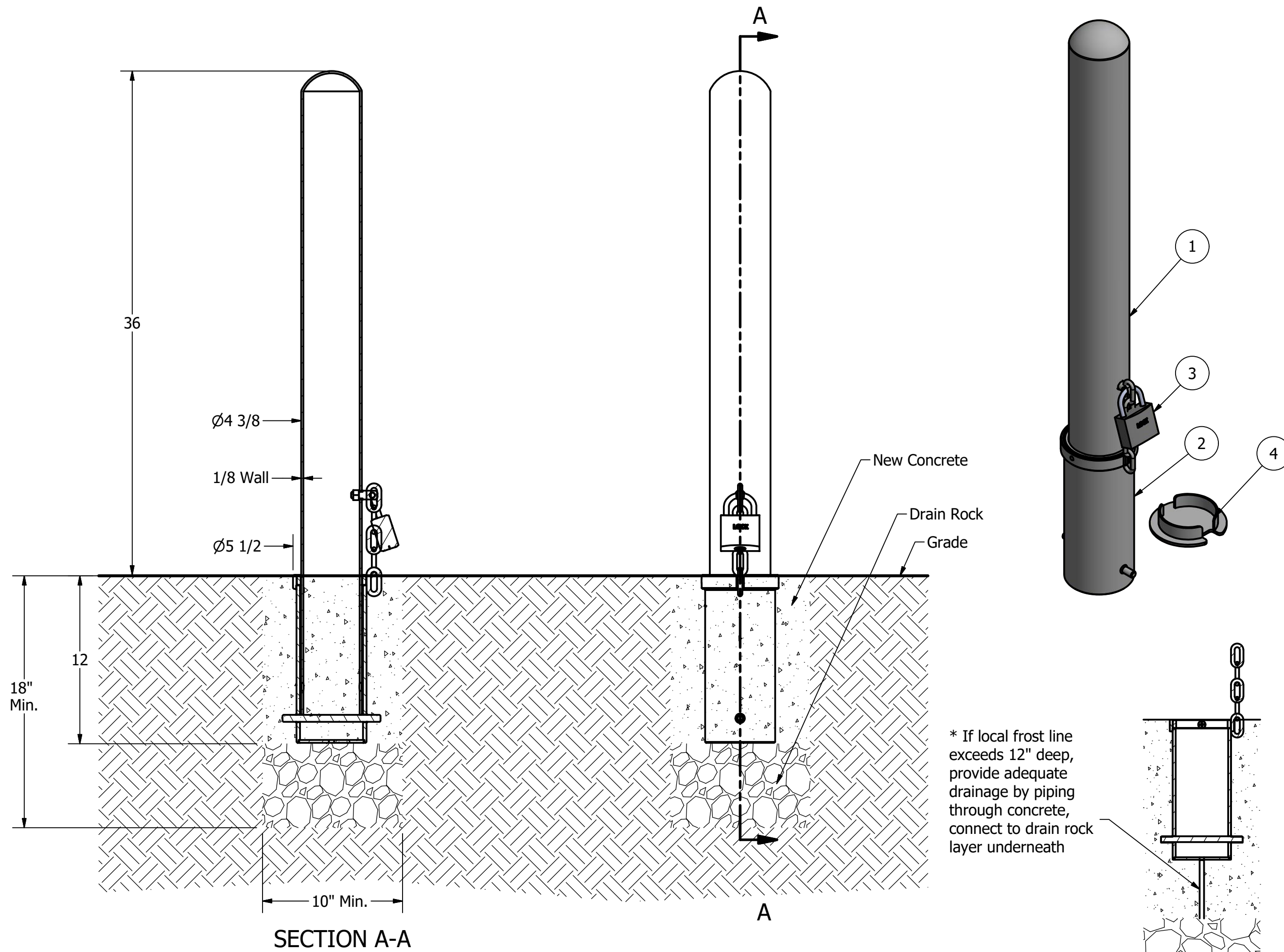
DWG NO
R-8902

REV
C1

NOT TO SCALE

SHEET 2 OF 7

Bollard Post, Model R-8902



General Description:

The R-8902 Stainless Steel Bollard features a clean, versatile design and a range of custom mounting options, making it suitable for any site location. R-8902 bollards are made from high-quality 316-grade stainless steel to withstand corrosive outdoor environments. Optional reflector stripes are available. Select from several fixed and removable mounting options: concrete embedment, bolt-down flange, removable receivers and fold-down mountings

For more information on bollard post installation, please visit: www.reliance-foundry.com/bollard/installation-bollards

Specifications:

Height: 36" (Above Grade)

Base Diameter: 4 3/8"

Weight: 32 lbs (Bollard Post Full Length)

Material: Stainless Steel 316

Finish Options:

- Satin Surface Finish Buffed No. 6
 - Polyester Powder Coated (Optional)
- See Reliance Foundry's standard color options at www.reliance-foundry.com/bollard/colors-bollards

Mount Options:

- Removable Receiver with Lid (see sheet 2 of 7)
- ✓ Removable Receiver with Chain (see sheet 3 of 7)
- Fixed Embedded Mount (see sheet 4 of 7)
- Flanged Surface Mount (see sheet 5 of 7)
- Fold Down Mount (see sheet 6 of 7)
- Optional Chain Accessory (see sheet 7 of 7)

Removable Receiver with Chain

(For important detail regarding installation with OPTIONAL bollard chain accessories, refer to sheet 7 of 7)

Notes:

- Embedment details are for reference illustration only. Minimum foundation sizes depend on local soil conditions, weather conditions, and engineering requirements.
- Bollard post is provided as shown, with material detailed in legend below. Concrete, foundation and/or installation ordered separately or provided by others.
- This drawing is not drawn to scale. Dimensions provided herein is for reference only. Please consult Reliance Foundry sales professionals if any dimension is critical to your particular installation.
- Reliance Foundry reserves the right to amend design and specifications without prior notice for product improvement.

PARTS LIST					
ITEM	QTY	PART NUMBER	DESCRIPTION	MATERIAL	WEIGHT
1	1	R8902 Removable	Bollard R8902 Removable Assembly	Stainless Steel 316	32 lbs
2	1	R8902R Receiver	R8902R Receiver Assembly	Stainless Steel 316	17 lbs
3	1	Padlock (Optional)	Optional Padlock (Brass or Stainless Steel)	Choice of Brass or Stainless Steel	5/8 lbs
4	1	R8902RC Receiver Cover (Optional)	Optional R8902RC Receiver Cover	Stainless Steel 316	2 lbs

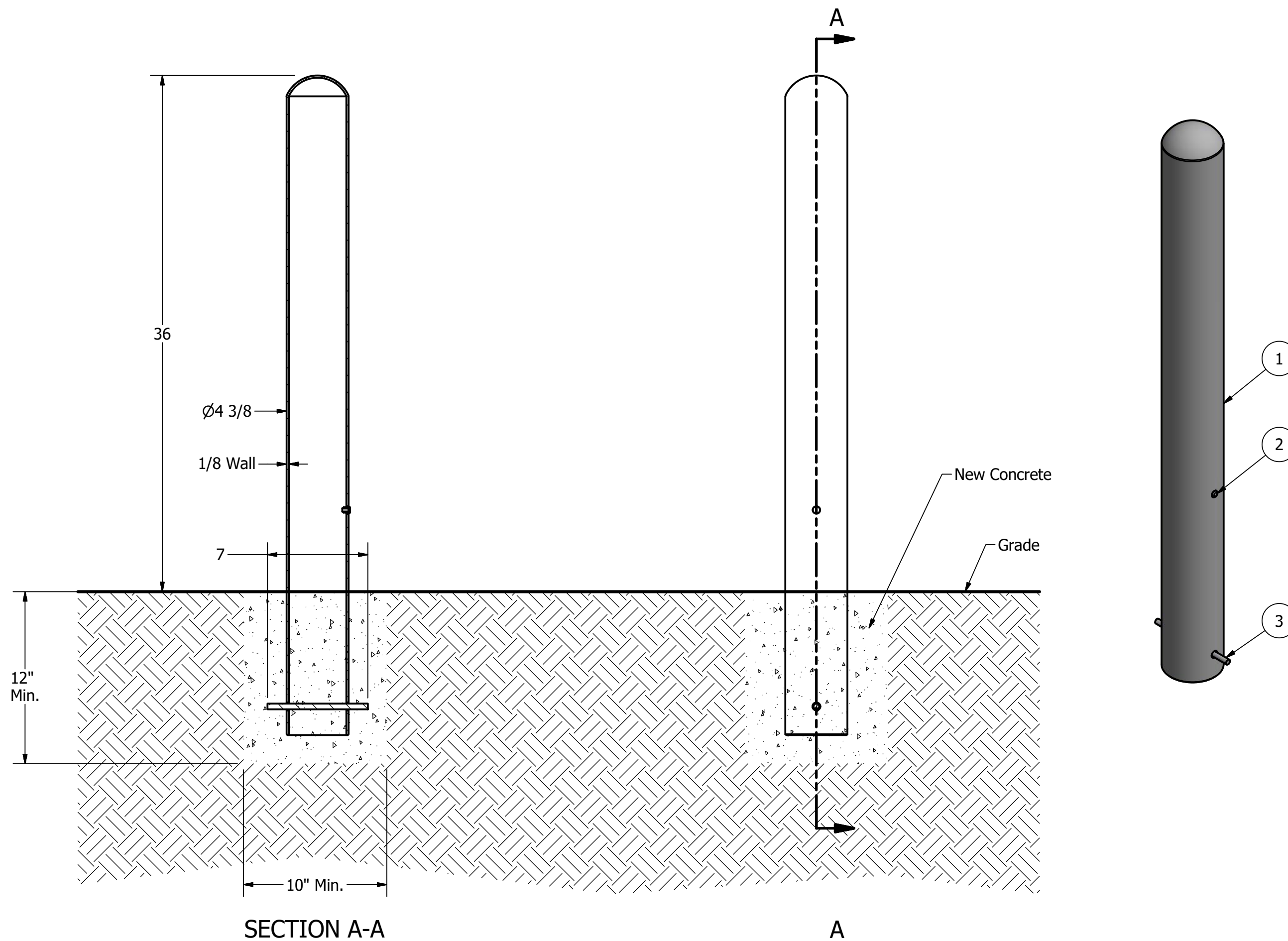
RELIANCE FOUNDRY
SINCE 1925

Unit 207, 6450 - 148 Street, Surrey, BC V3S 7G7, Canada
1-888-735-5680 info@reliance-foundry.com
www.reliance-foundry.com

TITLE
Bollard Post, Model R-8902

SIZE: C DWG NO: R-8902 REV: C1

Bollard Post, Model R-8902



SECTION A-A

A

Fixed Installation in New Concrete

Notes:

- Embedment details are for reference illustration only. Minimum foundation sizes depend on local soil conditions, weather conditions, and engineering requirements.
- Bollard post is provided as shown, with material detailed in legend below. Concrete, foundation and/or installation ordered separately or provided by others.
- This drawing is not drawn to scale. Dimensions provided herein is for reference only. Please consult Reliance Foundry sales professionals if any dimension is critical to your particular installation.
- Reliance Foundry reserves the right to amend design and specifications without prior notice for product improvement.

General Description:

The R-8902 Stainless Steel Bollard features a clean, versatile design and a range of custom mounting options, making it suitable for any site location. R-8902 bollards are made from high-quality 316-grade stainless steel to withstand corrosive outdoor environments. Optional reflector stripes are available. Select from several fixed and removable mounting options: concrete embedment, bolt-down flange, removable receivers and fold-down mountings

For more information on bollard post installation, please visit: www.reliance-foundry.com/bollard/installation-bollards

Specifications:

Height: 36" (Above Grade)

Base Diameter: 4 3/8"

Weight: 32 lbs (Bollard Post Full Length)

Material: Stainless Steel 316

Finish Options:

- Satin Surface Finish Buffed No. 6
 - Polyester Powder Coated (Optional)
- See Reliance Foundry's standard color options at www.reliance-foundry.com/bollard/colors-bollards

Mount Options:

- Removable Receiver with Lid (see sheet 2 of 7)
- Removable Receiver with Chain (see sheet 3 of 7)
- ✓ **Fixed Embedded Mount** (see sheet 4 of 7)
- Flanged Surface Mount (see sheet 5 of 7)
- Fold Down Mount (see sheet 6 of 7)
- Optional Chain Accessory (see sheet 7 of 7)

RELIANCE FOUNDRY
SINCE 1925

Unit 207, 6450 - 148 Street, Surrey, BC V3S 7G7, Canada
1-888-735-5680 info@reliance-foundry.com
www.reliance-foundry.com

TITLE

Bollard Post, Model R-8902

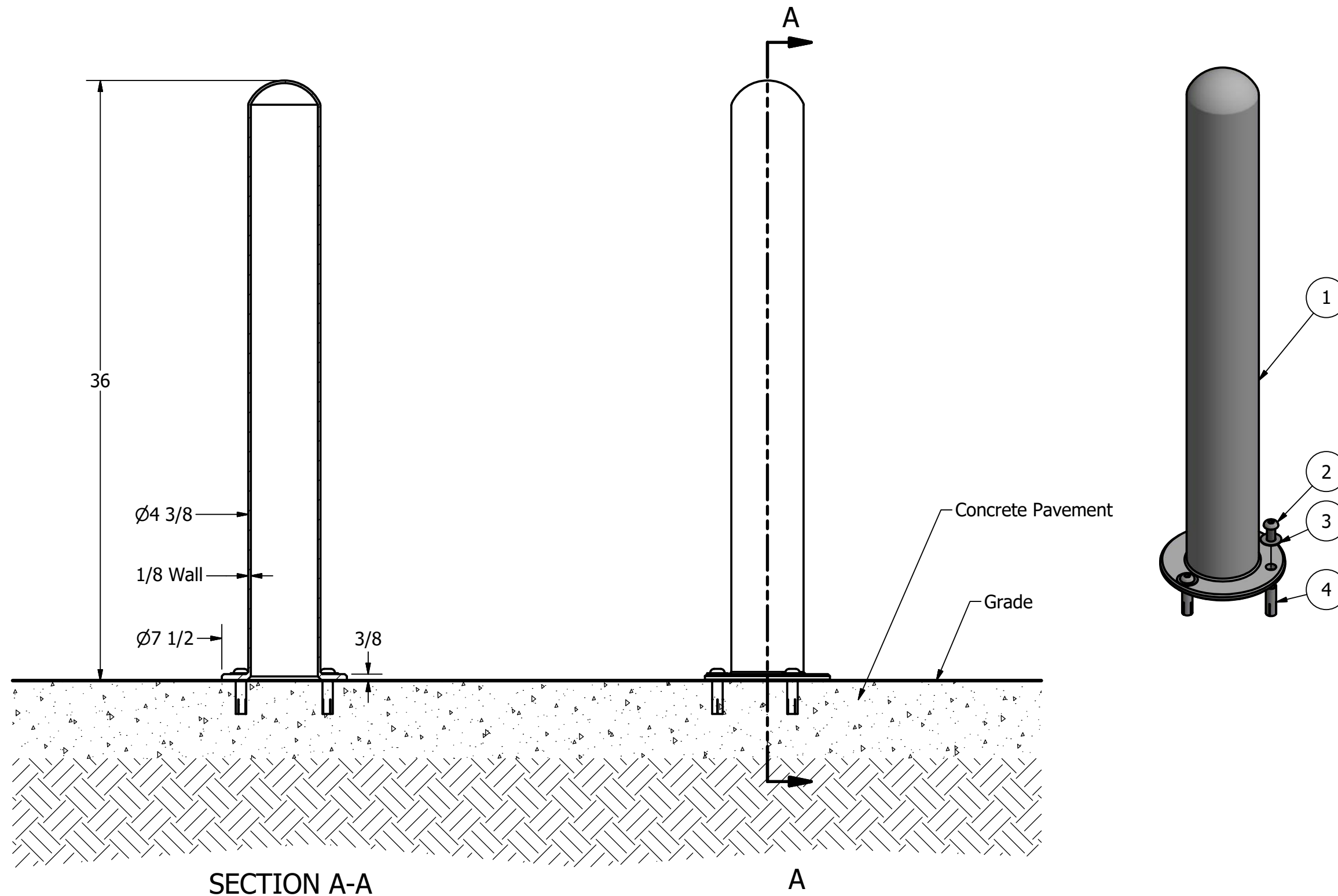
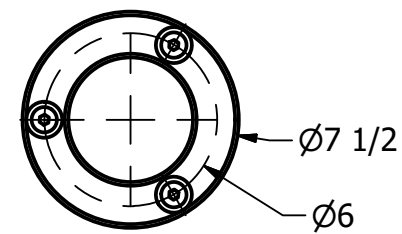
SIZE
C

DWG NO
R-8902

REV
C1

PARTS LIST					
ITEM	QTY	PART NUMBER	DESCRIPTION	MATERIAL	WEIGHT
1	1	R8902 Fixed Bollard	R8902 Fixed Bollard Body	Stainless Steel 316	32 lbs
2	1	Polyethylene Plug 1/2"	Polyethylene Plug 1/2"	Polyethylene Plastic	
3	1	Steel Rebar	Steel Rebar 10 mm x 7"	Steel Epoxy Coated	3/8 lbs

Bollard Post, Model R-8902



SECTION A-A

A

Flanged / Surface Mount

Notes:

- Embedment details are for reference illustration only. Minimum foundation sizes depend on local soil conditions, weather conditions, and engineering requirements.
- Bollard post is provided as shown, with material detailed in legend below. Concrete, foundation and/or installation ordered separately or provided by others.
- This drawing is not drawn to scale. Dimensions provided herein is for reference only. Please consult Reliance Foundry sales professionals if any dimension is critical to your particular installation.
- Reliance Foundry reserves the right to amend design and specifications without prior notice for product improvement.

General Description:

The R-8902 Stainless Steel Bollard features a clean, versatile design and a range of custom mounting options, making it suitable for any site location. R-8902 bollards are made from high-quality 316-grade stainless steel to withstand corrosive outdoor environments. Optional reflector stripes are available. Select from several fixed and removable mounting options: concrete embedment, bolt-down flange, removable receivers and fold-down mountings

For more information on bollard post installation, please visit: www.reliance-foundry.com/bollard/installation-bollards

Specifications:

Height: 36" (Above Grade)

Base Diameter: 4 3/8"

Weight: 32 lbs (Bollard Post Full Length)

Material: Stainless Steel 316

Finish Options:

- Satin Surface Finish Buffed No. 6
 - Polyester Powder Coated (Optional)
- See Reliance Foundry's standard color options at www.reliance-foundry.com/bollard/colors-bollards

Mount Options:

- Removable Receiver with Lid (see sheet 2 of 7)
- Removable Receiver with Chain (see sheet 3 of 7)
- Fixed Embedded Mount (see sheet 4 of 7)
- ✓ Flanged Surface Mount (see sheet 5 of 7)
- Fold Down Mount (see sheet 6 of 7)
- Optional Chain Accessory (see sheet 7 of 7)

RELIANCE FOUNDRY
SINCE 1925

Unit 207, 6450 - 148 Street, Surrey, BC V3S 7G7, Canada
1-888-735-5680 info@reliance-foundry.com
www.reliance-foundry.com

TITLE

Bollard Post, Model R-8902

SIZE
C

DWG NO
R-8902

REV
C1

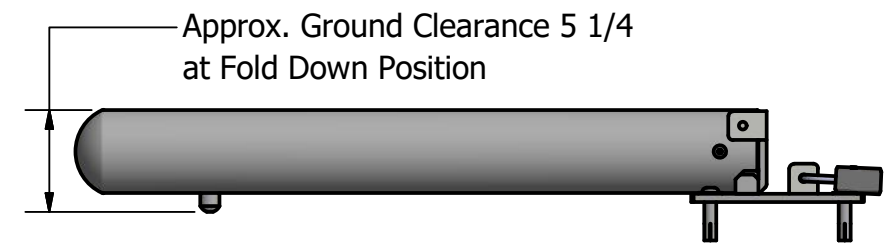
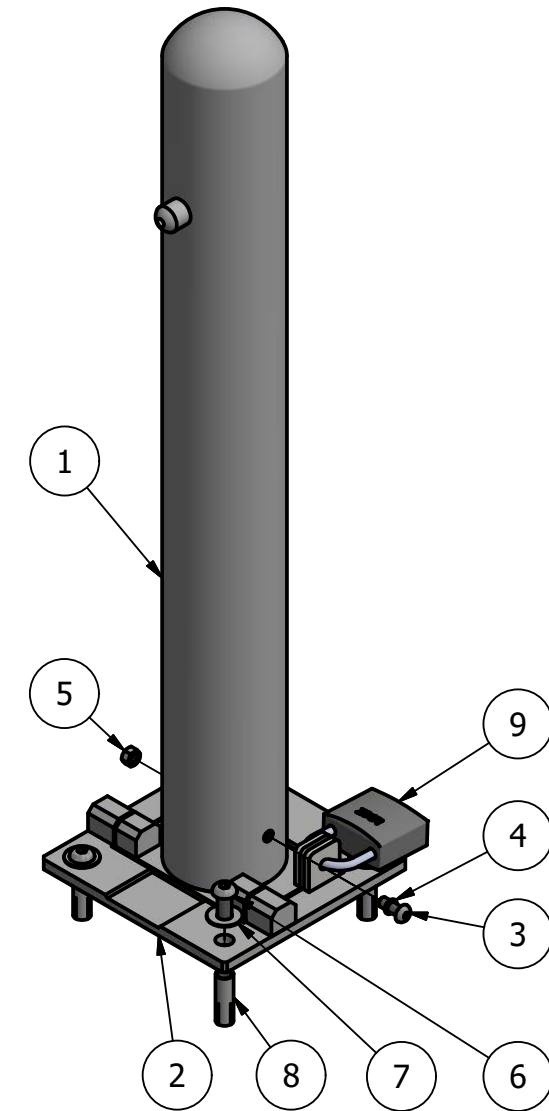
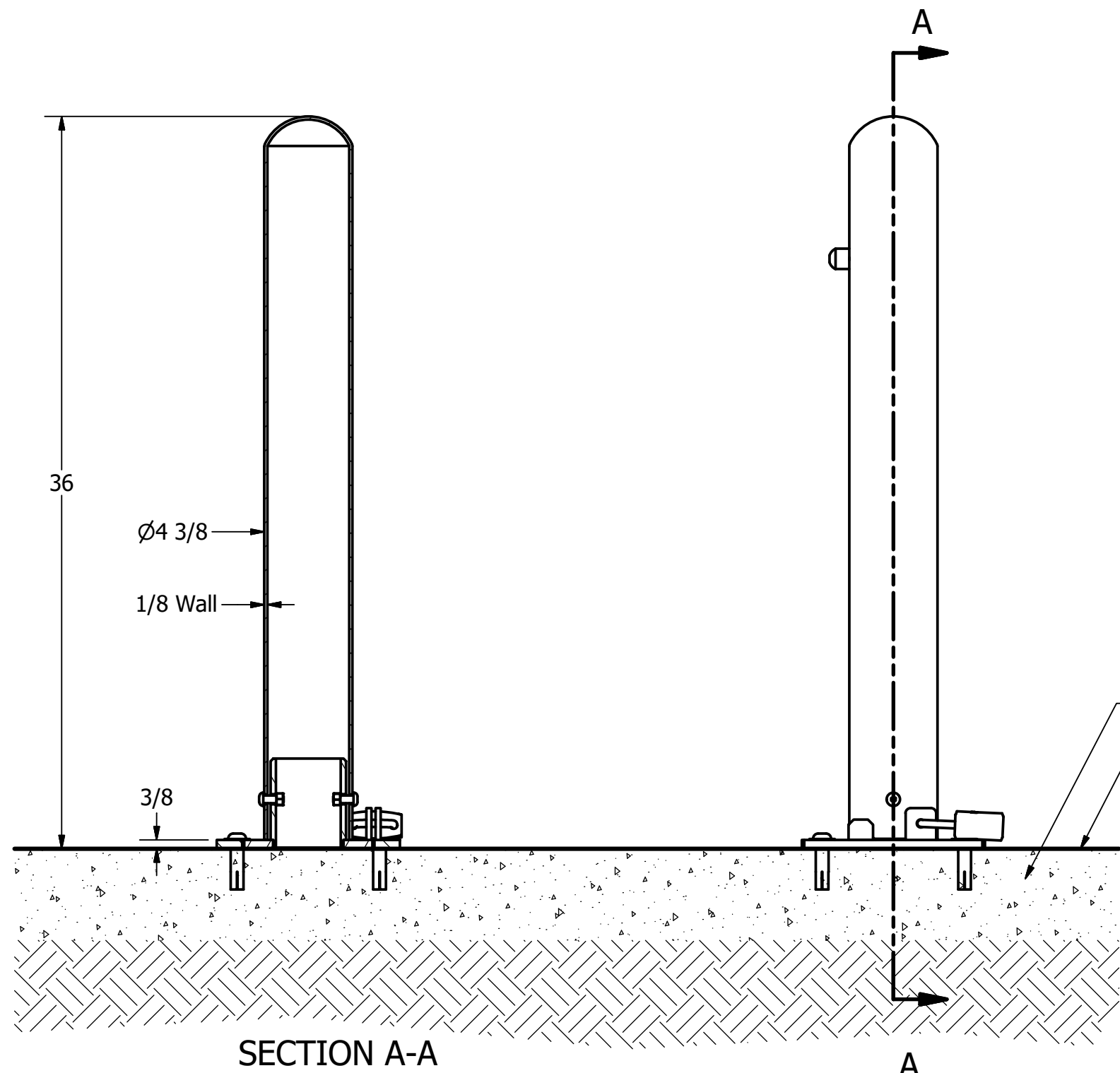
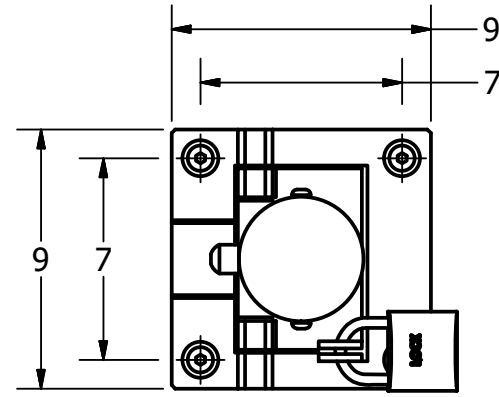
PARTS LIST					
ITEM	QTY	PART NUMBER	DESCRIPTION	MATERIAL	WEIGHT
1	1	R8902 Flanged Bollard	R8902 Flanged Bollard Body	Stainless Steel 316	31 lbs
2	3	Button Head Bolt 1/2" x 1 1/4"	Hexagon Socket Button Head Cap Bolt 1/2" x 1 1/4" - requires 5/16" hex key	Stainless Steel	1/8 lbs
3	3	Stainless Steel Washer 1/2"	Stainless Steel Washer 1/2" OD 1 1/4" Thick .05"	Stainless Steel	
4	3	Drop-in Concrete Insert 1/2"	Drop-in Concrete Insert 1/2" - requires 5/8" x 2" hole (dia. x depth)	Steel Plated	1/8 lbs

COPYRIGHT RESERVED THIS PLAN DRAWING AND DESIGN ARE, AND AT ALL TIMES REMAIN, THE EXCLUSIVE PROPERTY OF RELIANCE FOUNDRY CO. LTD.

NOT TO SCALE

SHEET 5 OF 7

Bollard Post, Model R-8902



Fold Down Mount

Notes:

- Embedment details are for reference illustration only. Minimum foundation sizes depend on local soil conditions, weather conditions, and engineering requirements.
- Bollard post is provided as shown, with material detailed in legend below. Concrete, foundation and/or installation ordered separately or provided by others.
- This drawing is not drawn to scale. Dimensions provided herein is for reference only. Please consult Reliance Foundry sales professionals if any dimension is critical to your particular installation.
- Reliance Foundry reserves the right to amend design and specifications without prior notice for product improvement.

General Description:

The R-8902 Stainless Steel Bollard features a clean, versatile design and a range of custom mounting options, making it suitable for any site location. R-8902 bollards are made from high-quality 316-grade stainless steel to withstand corrosive outdoor environments. Optional reflector stripes are available. Select from several fixed and removable mounting options: concrete embedment, bolt-down flange, removable receivers and fold-down mountings
 For more information on bollard post installation, please visit: www.reliance-foundry.com/bollard/installation-bollards

Specifications:

- Height: 36" (Above Grade)
- Base Diameter: 4 3/8"
- Weight: 32 lbs (Bollard Post Full Length)
- Material: Stainless Steel 316
- Finish Options:
 - Satin Surface Finish Buffed No. 6
 - Polyester Powder Coated (Optional)
 See Reliance Foundry's standard color options at www.reliance-foundry.com/bollard/colors-bollards

Mount Options:

- Removable Receiver with Lid (see sheet 2 of 7)
- Removable Receiver with Chain (see sheet 3 of 7)
- Fixed Embedded Mount (see sheet 4 of 7)
- Flanged Surface Mount (see sheet 5 of 7)
- ✓ **Fold Down Mount** (see sheet 6 of 7)
- Optional Chain Accessory (see sheet 7 of 7)

PARTS LIST

ITEM	QTY	PART NUMBER	DESCRIPTION	MATERIAL	WEIGHT
1	1	R8902 Fold Down Bollard	R8902 Fold Down Bollard Assembly	Stainless Steel 316	28 lbs
2	1	R7950A Fold Down Base	R7950A Fold Down Base Assembly	Steel HDG	15 lbs
3	2	Button Head Bolt 3/8" x 1"	Hexagon Socket Button Head Cap Bolt 3/8" x 1" - requires 7/32" hex key	Stainless Steel	
4	2	O-Ring 3/8"	Nitrile Rubber O-Ring 3/8"	Nitrile Rubber	
5	2	Hex Nut Nylon Lock 3/8"	Hex Nut Nylon Lock 3/8" - requires 9/16" wrench	Steel Plated Nylon Lock	
6	4	Button Head Bolt 1/2" x 1 1/4"	Hexagon Socket Button Head Cap Bolt 1/2" x 1 1/4" - requires 5/16" hex key	Stainless Steel	1/8 lbs
7	4	Stainless Steel Washer 1/2"	Stainless Steel Washer 1/2" OD 1 1/4" Thick .05"	Stainless Steel	
8	4	Drop-in Concrete Insert 1/2"	Drop-in Concrete Insert 1/2" - requires 5/8" x 2" hole (dia. x depth)	Steel Plated	1/8 lbs
9	1	Padlock (Optional)	Optional Padlock (Brass or Stainless Steel)	Choice of Brass or Stainless Steel	5/8 lbs

RELIANCE FOUNDRY
SINCE 1925

Unit 207, 6450 - 148 Street, Surrey, BC V3S 7G7, Canada
 1-888-735-5680 info@reliance-foundry.com
www.reliance-foundry.com

Bollard Post, Model R-8902

SIZE C	DWG NO R-8902	REV C1
------------------	-------------------------	------------------

Bollard Post, Model R-8902

General Description:

The R-8902 Stainless Steel Bollard features a clean, versatile design and a range of custom mounting options, making it suitable for any site location. R-8902 bollards are made from high-quality 316-grade stainless steel to withstand corrosive outdoor environments. Optional reflector stripes are available. Select from several fixed and removable mounting options: concrete embedment, bolt-down flange, removable receivers and fold-down mountings

For more information on bollard post installation, please visit: www.reliance-foundry.com/bollard/installation-bollards

Specifications:

Height: 36" (Above Grade)

Base Diameter: 4 3/8"

Weight: 32 lbs (Bollard Post Full Length)

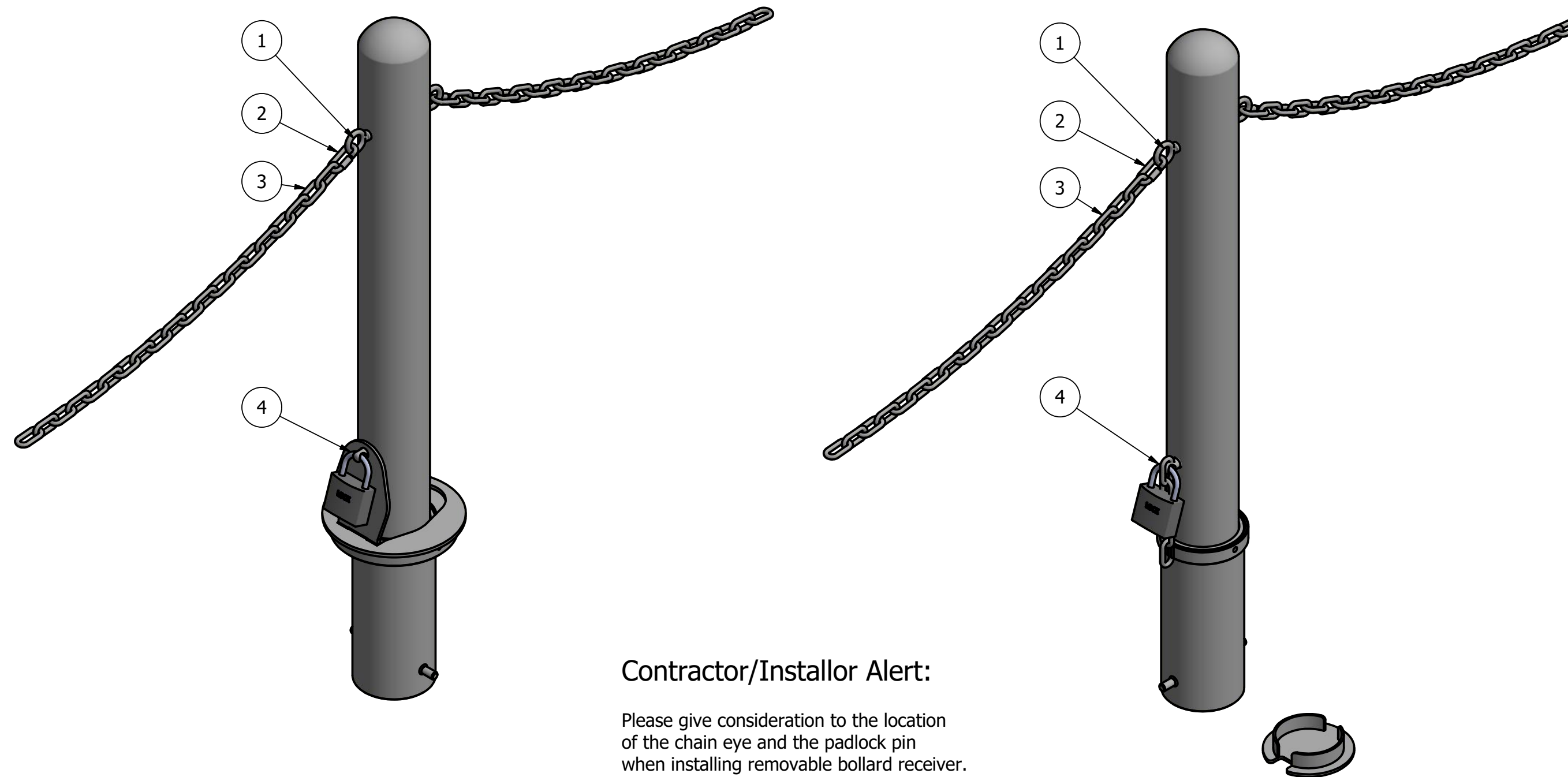
Material: Stainless Steel 316

Finish Options:

- Satin Surface Finish Buffed No. 6
 - Polyester Powder Coated (Optional)
- See Reliance Foundry's standard color options at www.reliance-foundry.com/bollard/colors-bollards

Mount Options:

- Removable Receiver with Lid (see sheet 2 of 7)
- Removable Receiver with Chain (see sheet 3 of 7)
- Fixed Embedded Mount (see sheet 4 of 7)
- Flanged Surface Mount (see sheet 5 of 7)
- Fold Down Mount (see sheet 6 of 7)
- Optional Chain Accessory (see sheet 7 of 7)



Contractor/Installor Alert:

Please give consideration to the location of the chain eye and the padlock pin when installing removable bollard receiver. It is important that the removable bollard receiver padlock pin is oriented in the same direction as the chain is intended to flow.

Optional Chain Accessories Installation Details

PARTS LIST			
ITEM	PART NUMBER	DESCRIPTION	MATERIAL
1	Chain Eye 3/8" (Optional)	Optional Chain Eye 3/8"	Steel Powder Coated
2	Quick Link Connector (Optional)	Optional Quick Link Connector	Steel Powder Coated
3	Chain 5/16" (Optional)	Optional Chain 5/16" (Sold by Length)	Steel Powder Coated
4	Padlock (Optional)	Optional Padlock (Brass or Stainless Steel)	Choice of Brass or Stainless Steel

RELIANCE FOUNDRY
SINCE 1925

Unit 207, 6450 - 148 Street, Surrey, BC V3S 7G7, Canada
1-888-735-5680 info@reliance-foundry.com
www.reliance-foundry.com

TITLE			
Bollard Post, Model R-8902			
SIZE	DWG NO	REV	
C	R-8902	C1	
NOT TO SCALE	SHEET 7 OF 7		