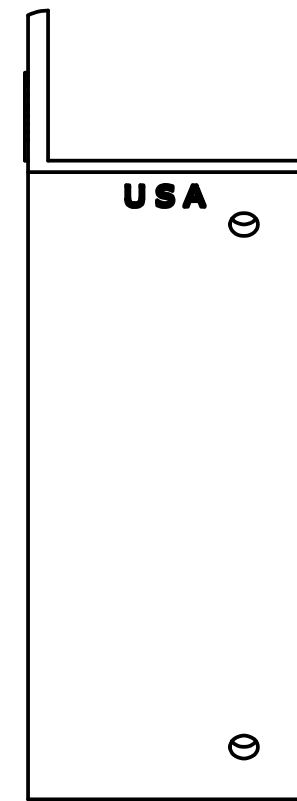
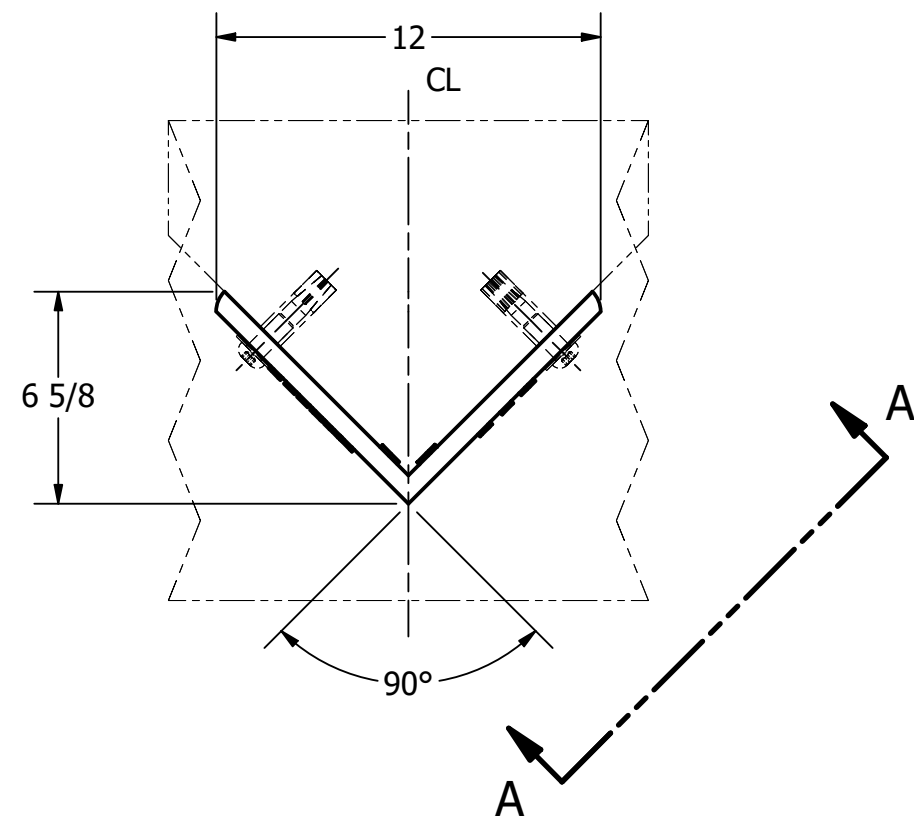


CORNER GUARD EXTENSION PIECE



ISOMETRIC VIEW
SCALE 1 / 6

General Description:

The R-8844-RA corner guard is proudly made in the USA and follows the Federal Transit Administration's (FTA) Buy America requirements, meaning the R-8844-RA corner guard is manufactured solely in America. The R-8844-RA guard features a straight edge to sit flush with walls, while providing exceptional protection. The R-8844-RA corner bollard complements a range of architectural styles and can be easily bolted into almost any wall. The R-8844-RA can be installed as a stand-alone guard, or installed directly above the R-8845-RA as a guard extension.

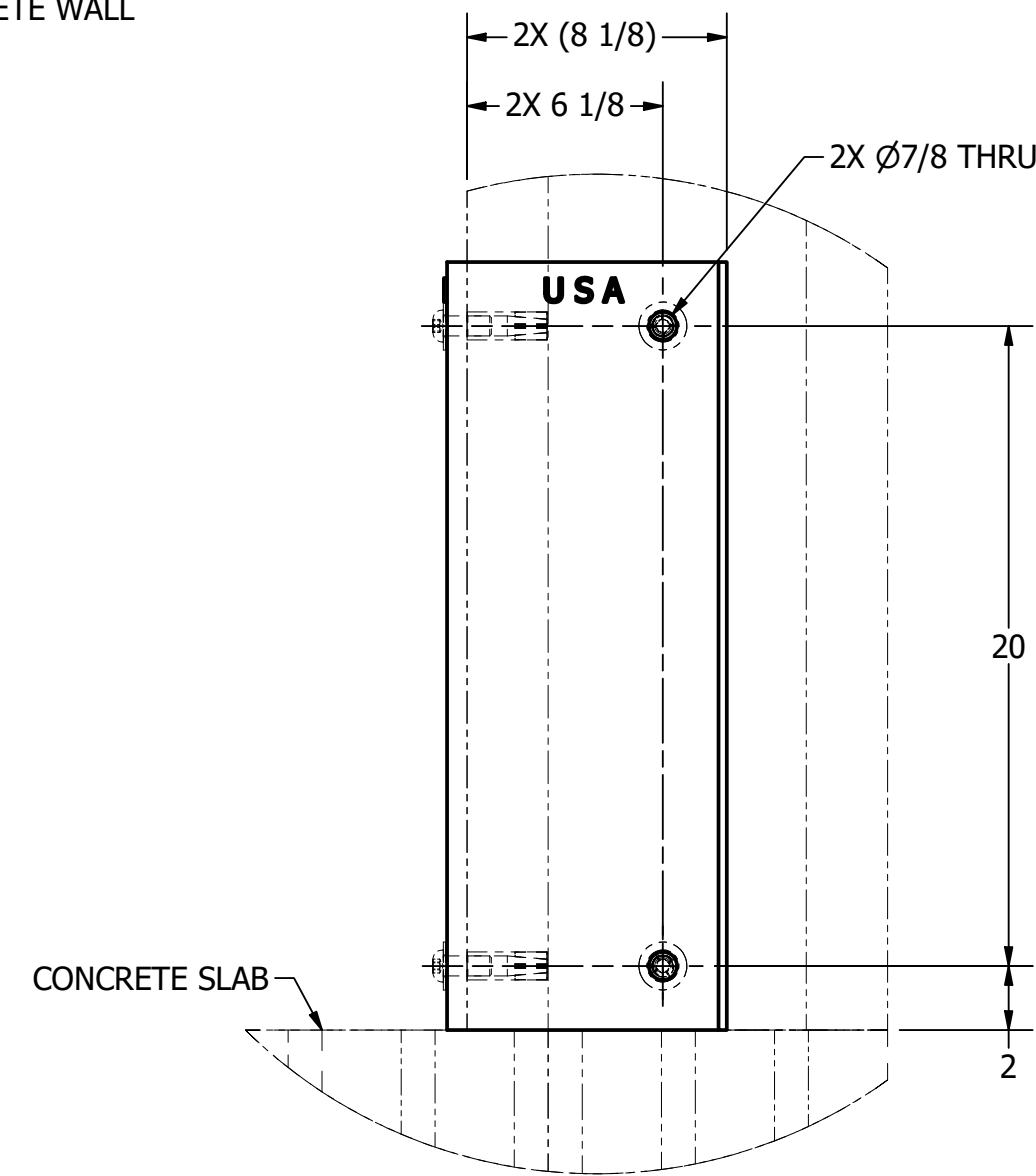
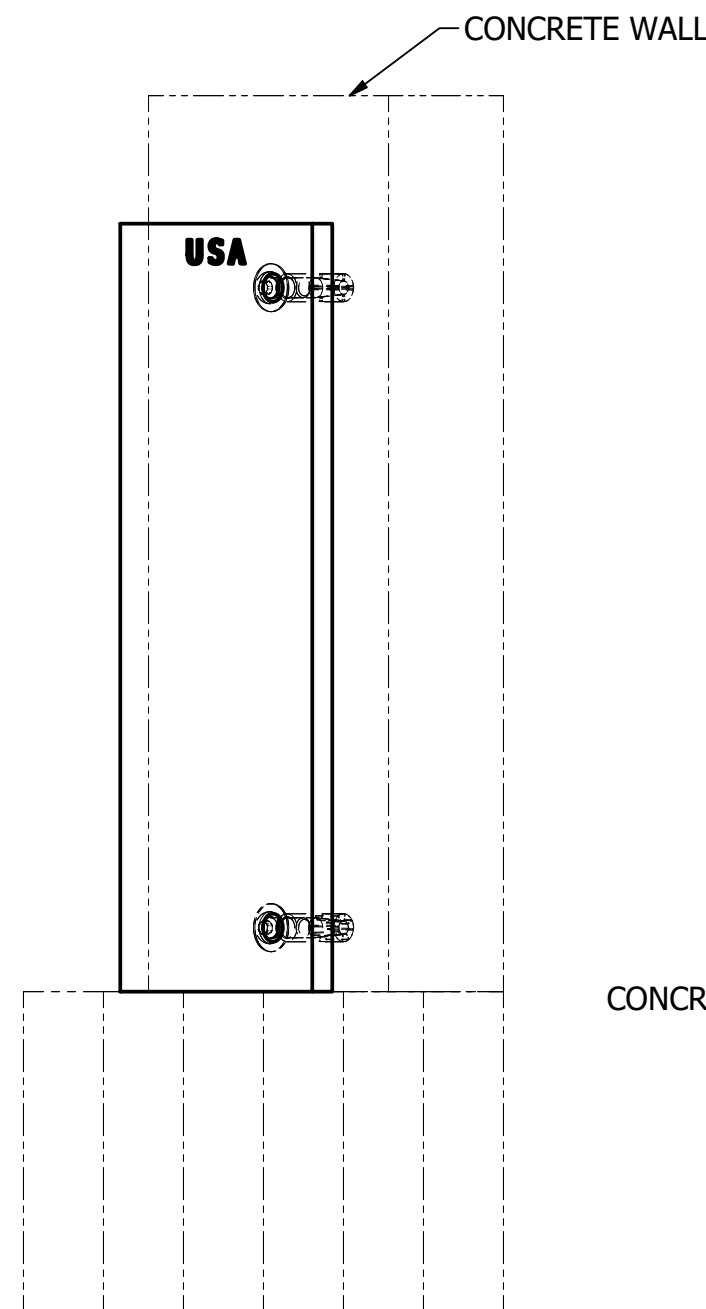
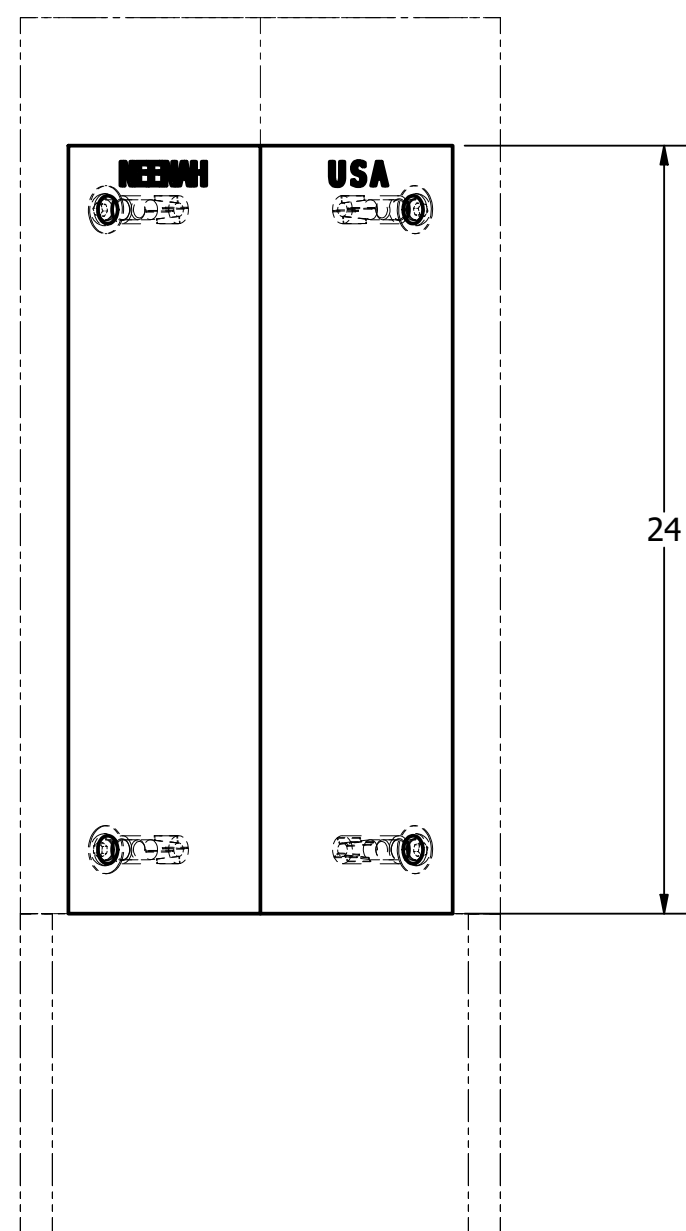
Specifications:

Length : 24.000

Width : 12.000

Weight : 65 lb

Material: ASTM A-48, CLASS 35B



VIEW A-A
SCALE 1 / 6



TITLE
**CORNER GUARD EXTENSION
PIECE**

SIZE C	DWG NO R-8844-RA	REV A00
-----------	---------------------	------------