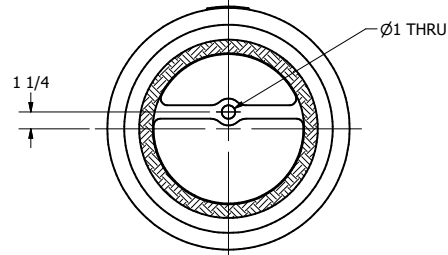
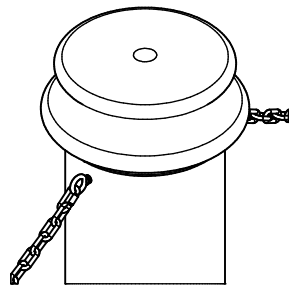
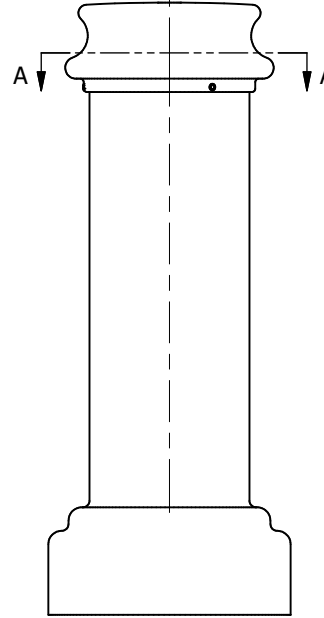
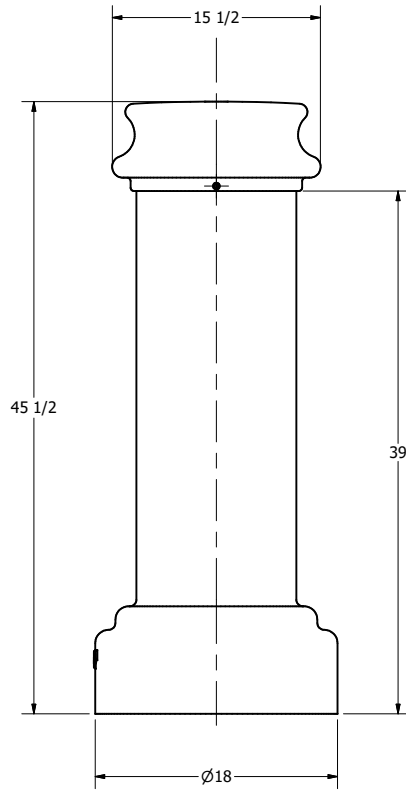


BOLLARD R-8802



SECTION A-A
SCALE 0.14 : 1



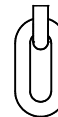
Installation Sample
with 5/16" Chain Accessories



Bollard Chain Eye 3/8"
(Powder Coated)



Quick Link Connector 5/16"
(Powder Coated)



Bollard Chain 5/16"
(Powder Coated)

Optional Accessories:

- Chain Eye
- Quick link
- Chain (5/16")
- Padlock, Brass (1 3/4")
- Padlock, Stainless Steel (2")

See Reliance Foundry's optional accessories at:
www.reliance-foundry.com/bollard/accessories-bollards

General Description:

Complement classical or historic architecture perfectly with the R-8802 bollard, made from cast iron. The R-8802 bollard is proudly American made and in compliance with the Federal Transit Administration's (FTA) Buy America requirements. The R-8802 features stepped rings around the base of the bollard and features a flat cap, giving it a simple but elegant aesthetic. The R-8802 bollard can be installed as a stand-alone decorative bollard, or as a security post cover.

Specifications:

Height : 45 1/2
Base Diameter : 18"
Weight : 246 lbs (Bollard only)
Material : ASTM A-48, CLASS 35B

Finish Options:

- Polyester Powdercoated

See Reliance Foundry's standard color options at:
www.reliance-foundry.com/bollard/colors-bollards

Installation Options:

- Fixed - Anchor Casting in New Concrete (see sheet 2 of 3)
- Post Cover - New Post in New Concrete (see sheet 3 of 3)

For more information on bollard post installation, please visit:
www.reliance-foundry.com/bollard/installation-bollards

Care and Maintenance:

Reliance's line of bollards are finished with a long-lasting powder-coating. Proper care and maintenance are required. Regularly-performed inspections and routine cleaning will ensure that a bollard retains its aesthetic appeal and does not become damaged by the elements.

See Reliance Foundry's maintenance guide at:
www.reliance-foundry.com/bollard/maintenance-bollards

RELIANCE FOUNDRY
SINCE 1925

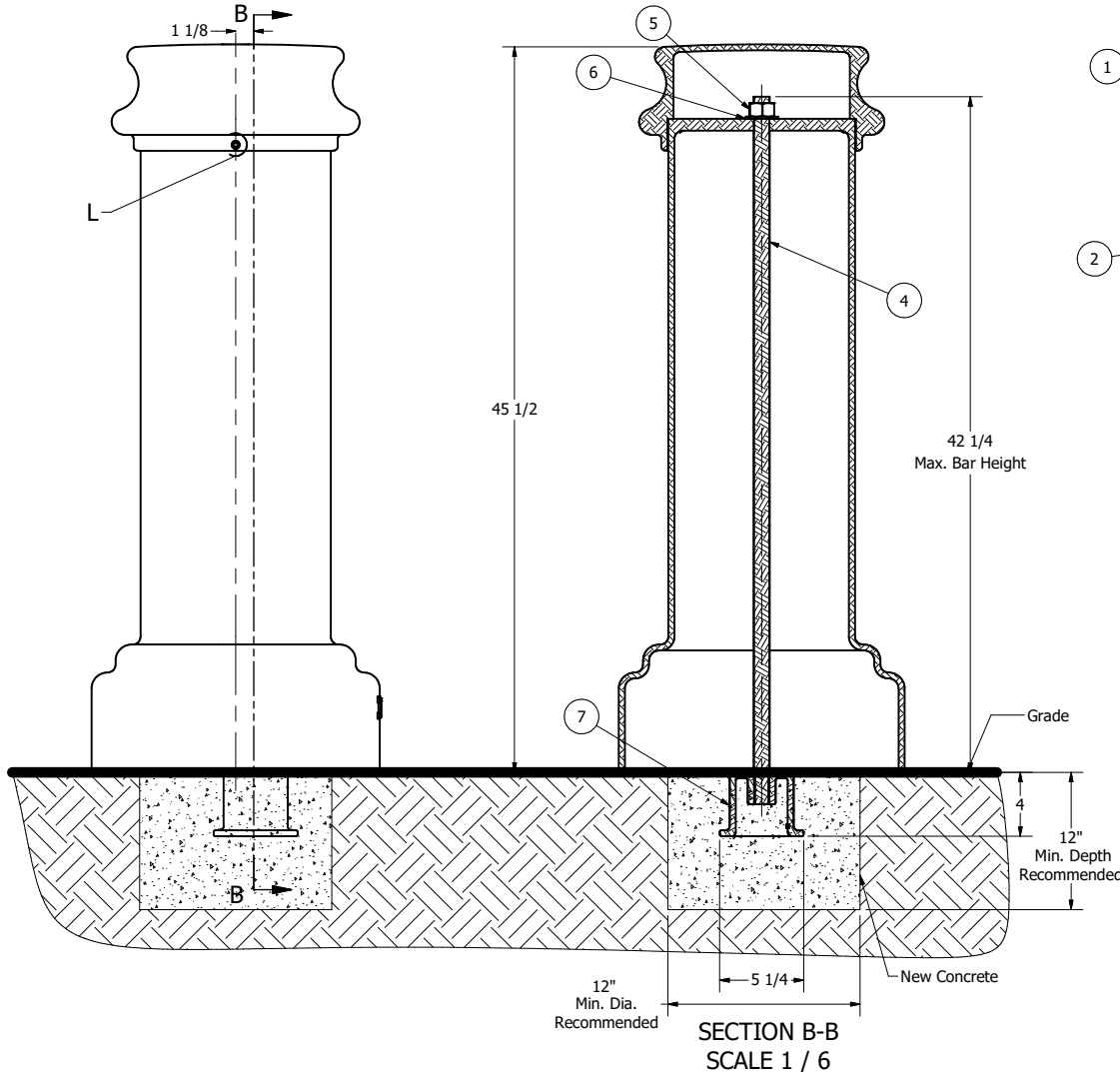
Unit 207, 6450 - 148 Street, Surrey, BC V3S 7G7, Canada
1-877-789-3245 info@reliance-foundry.com
www.reliance-foundry.com

TITLE

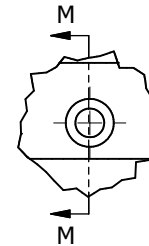
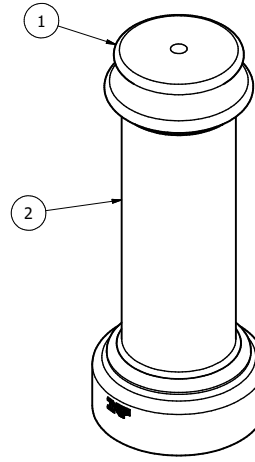
BOLLARD R-8802

SIZE C	DWG NO R8802-00	REV A00
NOT TO SCALE		SHEET 1 OF 3

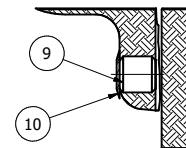
BOLLARD R-8802



SECTION B-B
SCALE 1 / 6



DETAIL L
SCALE 1 : 1
3 PLACES



SECTION M-M
SCALE 1 : 1

General Description:

Complement classical or historic architecture perfectly with the R-8802 bollard, made from cast iron. The R-8802 bollard is proudly American made and in compliance with the Federal Transit Administration's (FTA) Buy America requirements. The R-8802 features stepped rings around the base of the bollard and features a flat cap, giving it a simple but elegant aesthetic. The R-8802 bollard can be installed as a stand-alone decorative bollard, or as a security post cover.

Specifications:

Height	: 45 1/2
Base Diameter	: 18"
Weight	: 246 lbs (Bollard only)
Material	: ASTM A-48, CLASS 35B

Finish Options:

○ Polyester Powdercoated

See Reliance Foundry's standard color options at:
www.reliance-foundry.com/bollard/colors-bollards

Installation Options:

- Fixed - Anchor Casting in New Concrete (see sheet 2 of 3)
- Post Cover - New Post in New Concrete (see sheet 3 of 3)

For more information on bollard post installation, please visit:
www.reliance-foundry.com/bollard/installation-bollards

Care and Maintenance:

Reliance's line of bollards are finished with a long-lasting powder-coating. Proper care and maintenance are required. Regularly-performed inspections and routine cleaning will ensure that a bollard retains its aesthetic appeal and does not become damaged by the elements.

See Reliance Foundry's maintenance guide at:
www.reliance-foundry.com/bollard/maintenance-bollards

Notes:

- 1) Bollard post is provided as shown. Concrete, foundation and/or installation ordered separately or provided by others.
- 2) Minimum foundation sizes depend on local soil conditions, weather conditions, and engineering requirements.
- 3) Dimensions provided herein is for reference only. Please consult Reliance Foundry sales professionals if any dimension is critical to your particular installation.
- 4) Reliance Foundry reserves the right to amend design and specifications without prior notice for product improvement.

Installation guide.

- 1) Ensure top of anchor casting is level and flush with finished concrete grade.
- 2) Wait until concrete is cured.
- 3) Tighten threaded bar until it reaches approx. 1 to 1 1/2" into the anchor casting.
- 4) Secure bollard base with 1" washer and 1" nut.
- 5) Secure bollard cap with 3/8" set screws and cover set screws with plastic plugs.

Tools needed:

- 1) Measuring tape
- 2) 1 1/2" wrench
- 3) 3/16" hex key

PARTS LIST				
ITEM	QTY	PART NUMBER	DESCRIPTION	MATERIAL
1	1	R8801-001	CAP	ASTM A-48, CLASS 35B
2	1	R8820-001	BASE	ASTM A-48, CLASS 35B
4	1	M00001-002	TREADED ROD - 1-8 UNC	AISI 1040
5	1	C00002	Hex Nut - 1-8 UNC	AISI 1040
6	1	C00003	PLAIN WASHER - ID1 X OD 2	AISI 1040
7	1	M00001-001	ANCHOR CASTING, 1-8 UNC	ASTM A536 GRADE 65-45-12
9	3	C00005	SET SCREW, FLAT-3/8 X 3/8	Stainless Steel
10	3	C00006	PLUG, FLAT TIP-3/8 SET SCREW	Polyethylene, Low Density

RELIANCE FOUNDRY
SINCE 1925

Unit 207, 6450 - 148 Street, Surrey, BC V3S 7G7, Canada
1-877-789-3245 info@reliance-foundry.com
www.reliance-foundry.com

TITLE

BOLLARD R-8802

SIZE
C

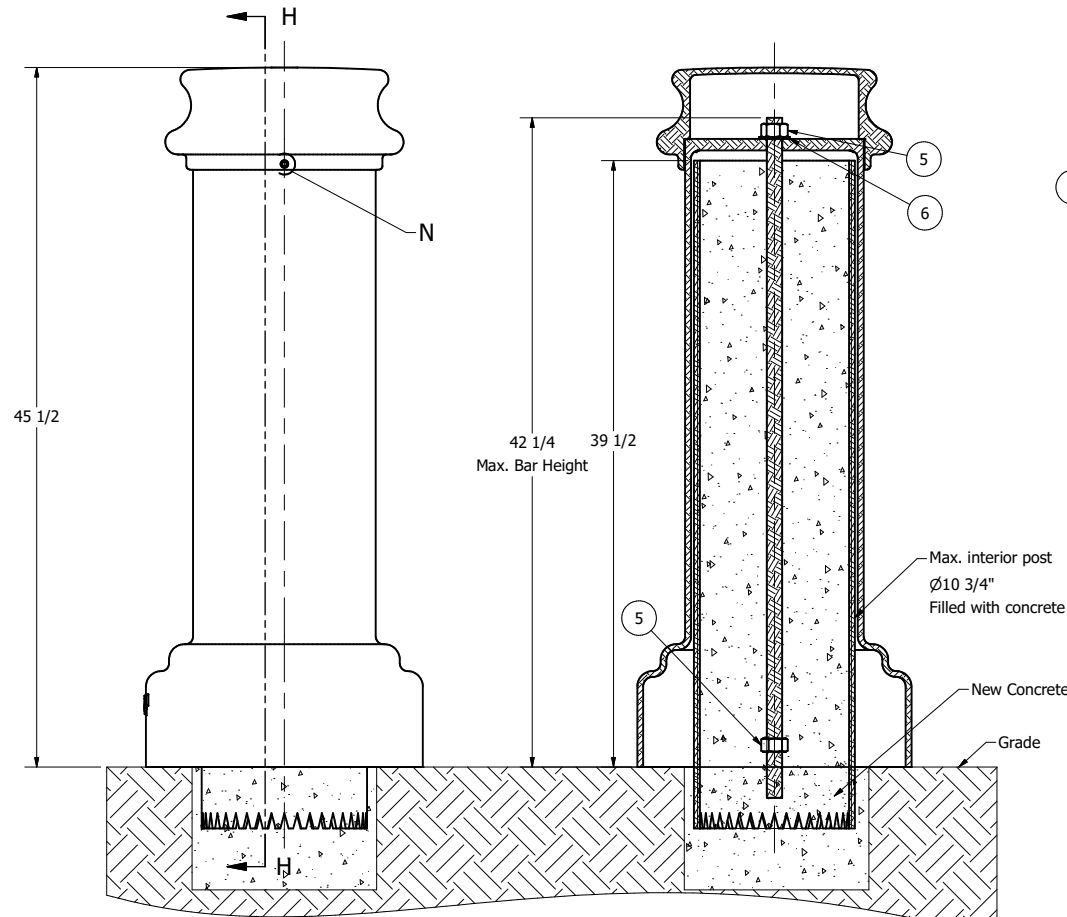
DWG NO
R8802-01

REV
A00

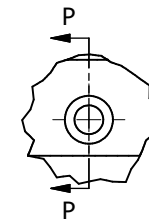
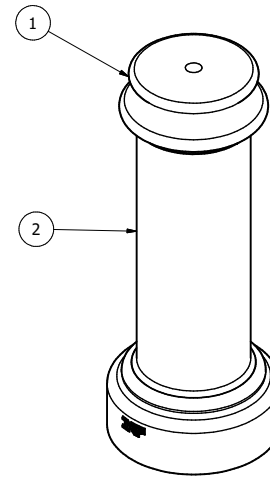
NOT TO SCALE

SHEET 2 OF 3

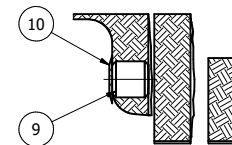
BOLLARD R-8802



SECTION H-H
SCALE 0.16 : 1



DETAIL N
SCALE 1 : 1
3 PLACES



SECTION P-P
SCALE 1 : 1

General Description:

Complement classical or historic architecture perfectly with the R-8802 bollard, made from cast iron. The R-8802 bollard is proudly American made and in compliance with the Federal Transit Administration's (FTA) Buy America requirements. The R-8802 features stepped rings around the base of the bollard and features a flat cap, giving it a simple but elegant aesthetic. The R-8802 bollard can be installed as a stand-alone decorative bollard, or as a security post cover.

Specifications:

Height : 45 1/2
Base Diameter : 18"
Weight : 246 lbs (Bollard only)
Material : ASTM A-48, CLASS 35B

Finish Options:

○ Polyester Powdercoated

See Reliance Foundry's standard color options at:
www.reliance-foundry.com/bollard/colors-bollards

Installation Options:

- Fixed - Anchor Casting in New Concrete (see sheet 2 of 3)
- Post Cover - New Post in New Concrete (see sheet 3 of 3)

For more information on bollard post installation, please visit:
www.reliance-foundry.com/bollard/installation-bollards

Care and Maintenance:

Reliance's line of bollards are finished with a long-lasting powder-coating. Proper care and maintenance are required. Regularly-performed inspections and routine cleaning will ensure that a bollard retains its aesthetic appeal and does not become damaged by the elements.

See Reliance Foundry's maintenance guide at:
www.reliance-foundry.com/bollard/maintenance-bollards

Notes:

- 1) Bollard post is provided as shown. Concrete, foundation and/or installation ordered separately or provided by others.
- 2) Minimum foundation sizes depend on local soil conditions, weather conditions, and engineering requirements.
- 3) Dimensions provided herein is for reference only. Please consult Reliance Foundry sales professionals if any dimension is critical to your particular installation.
- 4) Reliance Foundry reserves the right to amend design and specifications without prior notice for product improvement.

PARTS LIST

ITEM	QTY	PART NUMBER	DESCRIPTION	MATERIAL
1	1	R8801-001	CAP	ASTM A-48, CLASS 35B
2	1	R8820-001	BASE	ASTM A-48, CLASS 35B
5	2	C00002	Hex Nut - 1-8 UNC	AISI 1040
6	1	C00003	PLAIN WASHER - ID1 X OD 2	AISI 1040
9	3	C00005	SET SCREW, FLAT-3/8 X 3/8	Stainless Steel
10	3	C00006	PLUG, FLAT TIP-3/8 SET SCREW	Polyethylene, Low Density
12	1	M00001-002	TREADED ROD - 1-8 UNC	AISI 1040

Installation guide.

- 1) Use 1 piece of 1" nut on bar as anchor in wet concrete.
- 2) Ensure the bar is centered and extend no more than 40" above grade.
- 3) Wait until concrete is cured.
- 4) Secure bollard base with 1" washer and 1" nut.
- 5) Secure bollard cap with 3/8" set screws and cover set screws with plastic plugs.

Tools needed:

- 1) Measuring tape
- 2) 1 1/2" wrench
- 3) 3/16" hex key

RELIANCE FOUNDRY
SINCE 1925

Unit 207, 6450 - 148 Street, Surrey, BC V3S 7G7, Canada
1-877-789-3245 info@reliance-foundry.com
www.reliance-foundry.com

TITLE

BOLLARD R-8802

SIZE
C

DWG NO
R8802-04

REV
A00