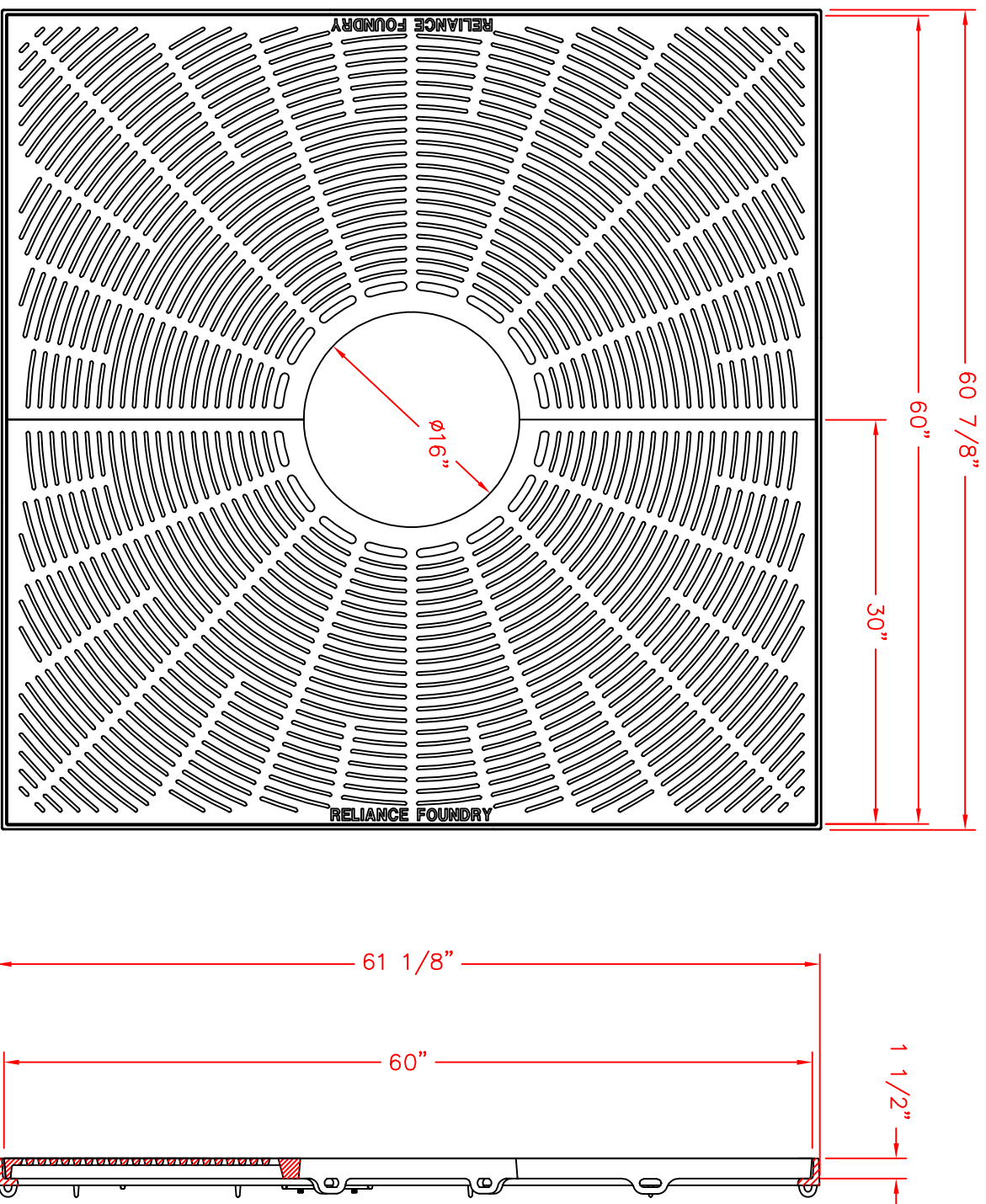


TREE GRATES & FRAMES



General Description:
 R-8713 Tree Grates and Frames
 60" X 60"
 180° Section
 16" Tree Opening

Specifications:
 Length: 61 1/8"
 Width: 60 7/8"
 Weight: 510 lbs
 Material: Cast Gray Iron
 ASTM A-48, Class 35B

Components:
 (4) Frames 85006060
 (2) Tree Grates 06455520
 (2) Tree Grate Bolt Sets
 (4) Frame Bolting Screw Kits
 (4) Steel Plates Bolted to Frames

Finish:
 Black



Unit 207, 6450 - 148 Street, Surrey, BC V3S 7G7, Canada
 1-877-789-3245 info@reliance-foundry.com
www.reliance-foundry.com

TITLE
TREE GRATES AND FRAMES
 R-8713

SCALE 1"=1'-0"	DWG NO 0645757	REV 0
-------------------	-------------------	----------