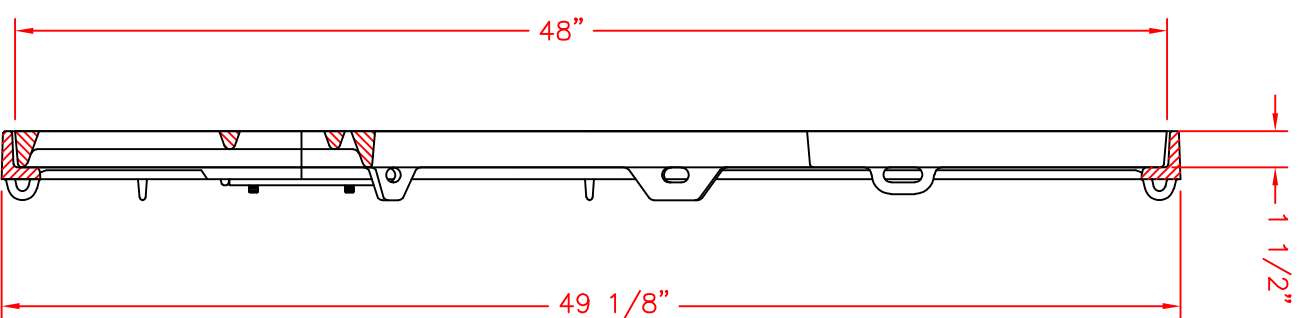
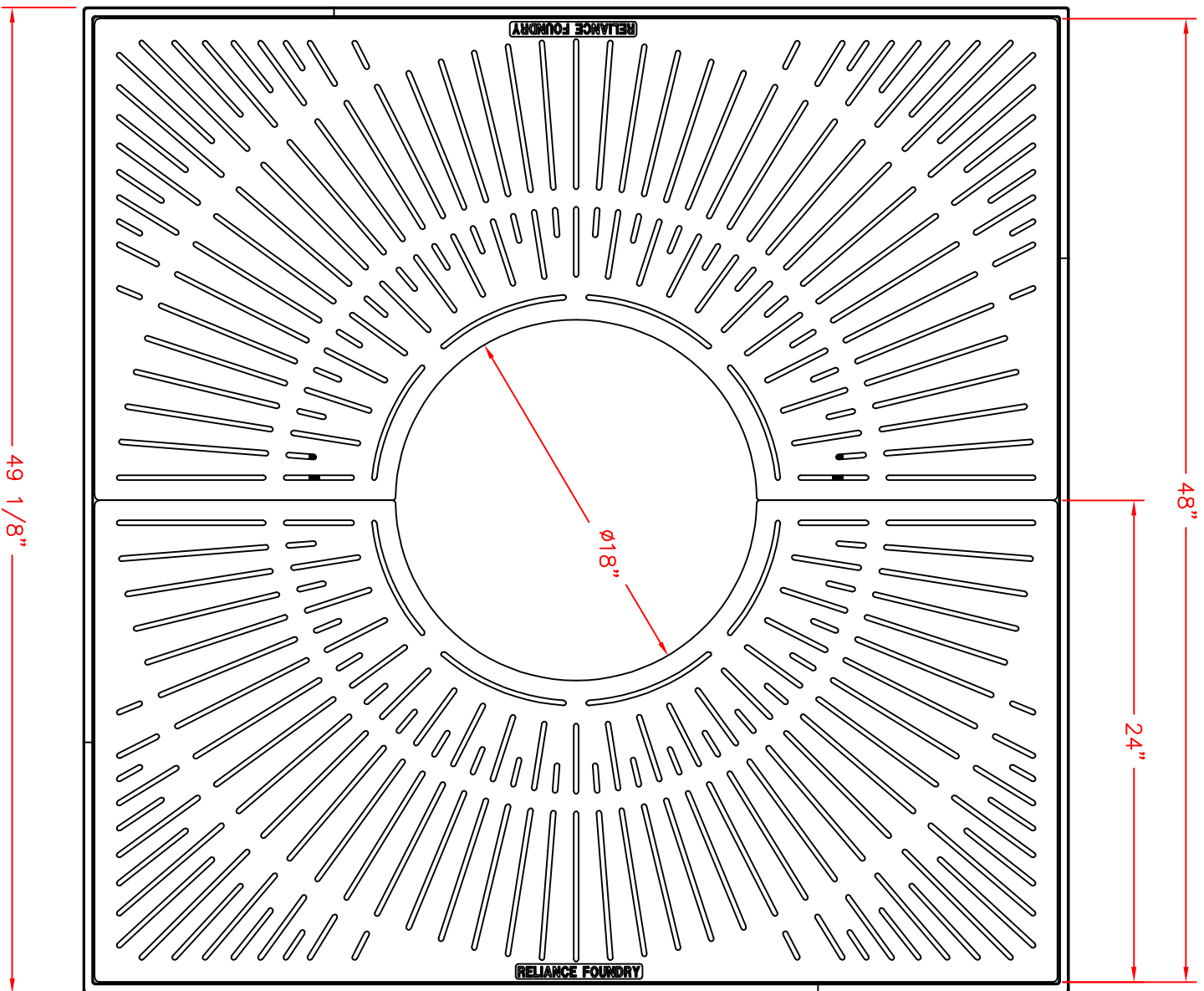


TREE GRATES & FRAMES



General Description:

R-8706-1A Tree Grates and Frames
 48" X 48"
 180° Section
 18" Tree Opening

Specifications:

Length: 49 1/8"
 Width: 49 1/8"
 Weight: 408 lbs
 Material: Cast Gray Iron
 ASTM A-48, Class 35B

Components:

- (4) Frames 85004848
- (2) Tree Grates 06454410
- (2) Tree Grate Bolt Sets
- (4) Frame Bolting Screw Kits
- (4) Steel Plates Bolted to Frames

Finish:
 Black



Unit 207, 6450 - 148 Street, Surrey, BC V3S 7G7, Canada
 1-877-789-3245 info@reliance-foundry.com
www.reliance-foundry.com

TITLE
TREE GRATES AND FRAMES
 R-8706-1A

SCALE 1/8"=1"	DWG NO 0645702	REV 0
------------------	-------------------	----------