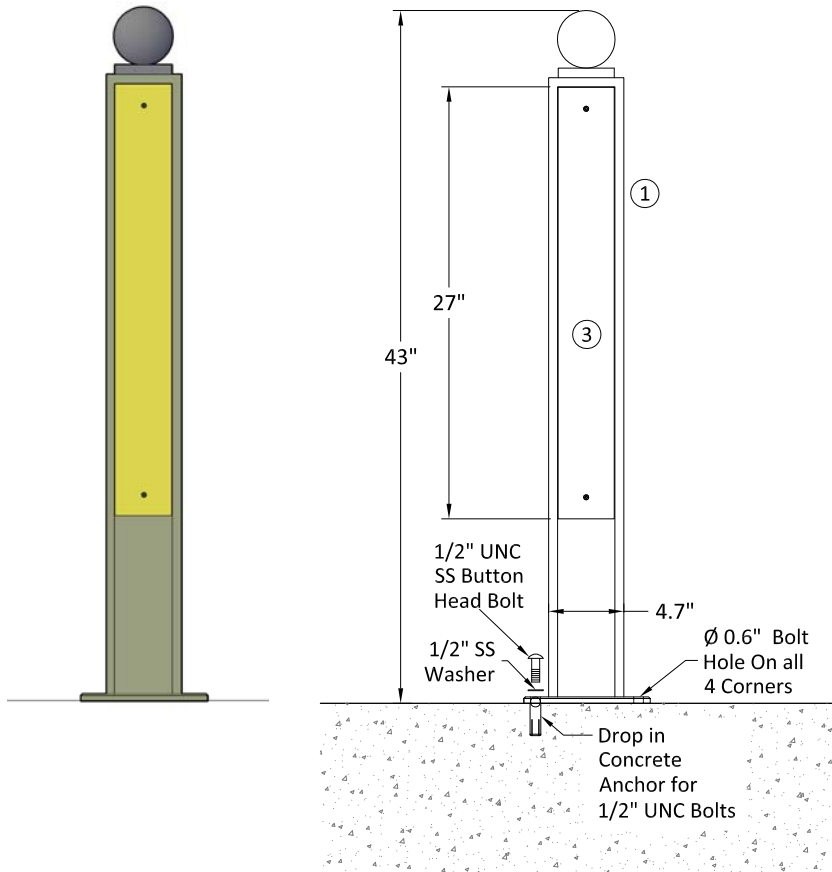
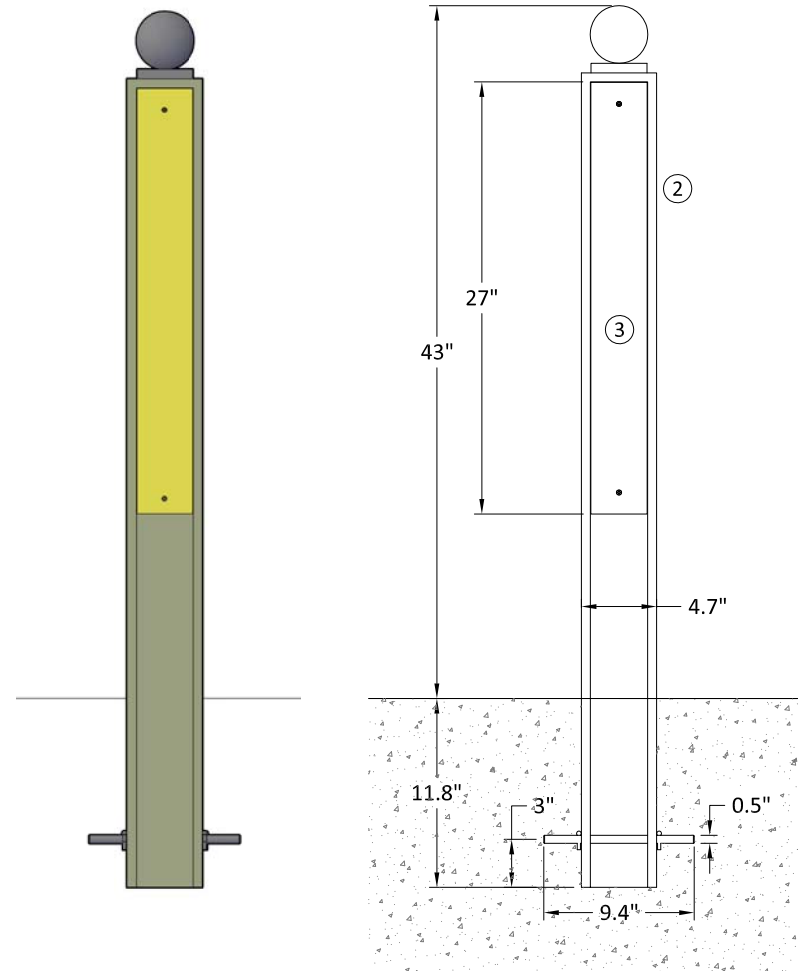


### Surface Mount



### Embedded Mount



Bollard				
Item	Part Number	Description	Material	Weight
1	R-8612	Bollard Post, Surface Mount	ASTM36 Carbon Steel	36 lbs
2	R-8612-EM	Bollard Post, Embedded Mount	ASTM36 Carbon Steel	38 lbs
3	R-8600-INS	Composite Wood Insert, Cedar Color, 2 Pcs./bollard	Wood Fibre/Plastic Composite	N/A
3	R-8600-INS	Composite Wood Insert, Walnut Color, 2 Pcs./bollard	Wood Fibre/Plastic Composite	N/A

REV	DATE	DESCRIPTION	DR
<div style="border: 1px solid black; padding: 5px; margin: 0 auto; width: 150px;"> <p style="margin: 0;"><b>RELIANCE FOUNDRY</b> CO. LTD.</p> </div> <p style="margin: 5px 0 0 0; font-size: small;">Unit 207, 6450 - 148 Street, Surrey, BC, Canada V3S-7G7 1-888-735-5680 - <a href="mailto:info@reliance-foundry.com">info@reliance-foundry.com</a> <a href="http://www.reliance-foundry.com">www.reliance-foundry.com</a>   <a href="http://www.bollards.ca">www.bollards.ca</a>   <a href="http://www.bike-parking.ca">www.bike-parking.ca</a></p>			
<b>Fixed Bollard, Model R-8612</b>			
SCALE	NTS	DRAWING NUMBER	SIZE
DESIGN		<b>R-8612 / R-8612-EM</b>	<b>A A</b>
DATE	06/12/2012		