

# Bollard, Model R-8472

## R-8472

Lockable in Raised and Lowered Position  
Key required to lower and raise bollard  
(number of keys included: 2)

### General Description:

The R-8472 Double Locking Retractable Bollard retracts fully below ground, closing flush to avoid obstruction and tripping hazards, and can be locked in both extended, upright and lowered, retracted positions. A single key-locking mechanism ensures quick and easy access to restricted areas. The clean and versatile design is highly visible and available with alternative mountings (see removable and fixed models) for consistent aesthetics that suit any modern building or landscape. High-quality 316 grade stainless steel with #6 satin finish features high resistance to corrosion and weathering. Posts ship standard with 1 of 4 colored reflector stripes.

For more information on bollard post installation, please visit:  
[www.reliance-foundry.com/bollard/installation-bollards](http://www.reliance-foundry.com/bollard/installation-bollards)

### Specifications:

Height: 35 5/8"

Body Diameter: 4 1/2"

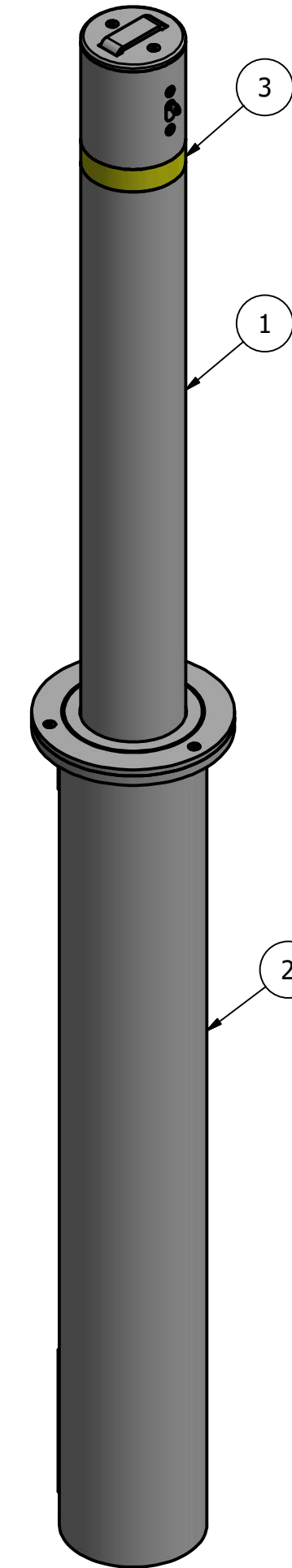
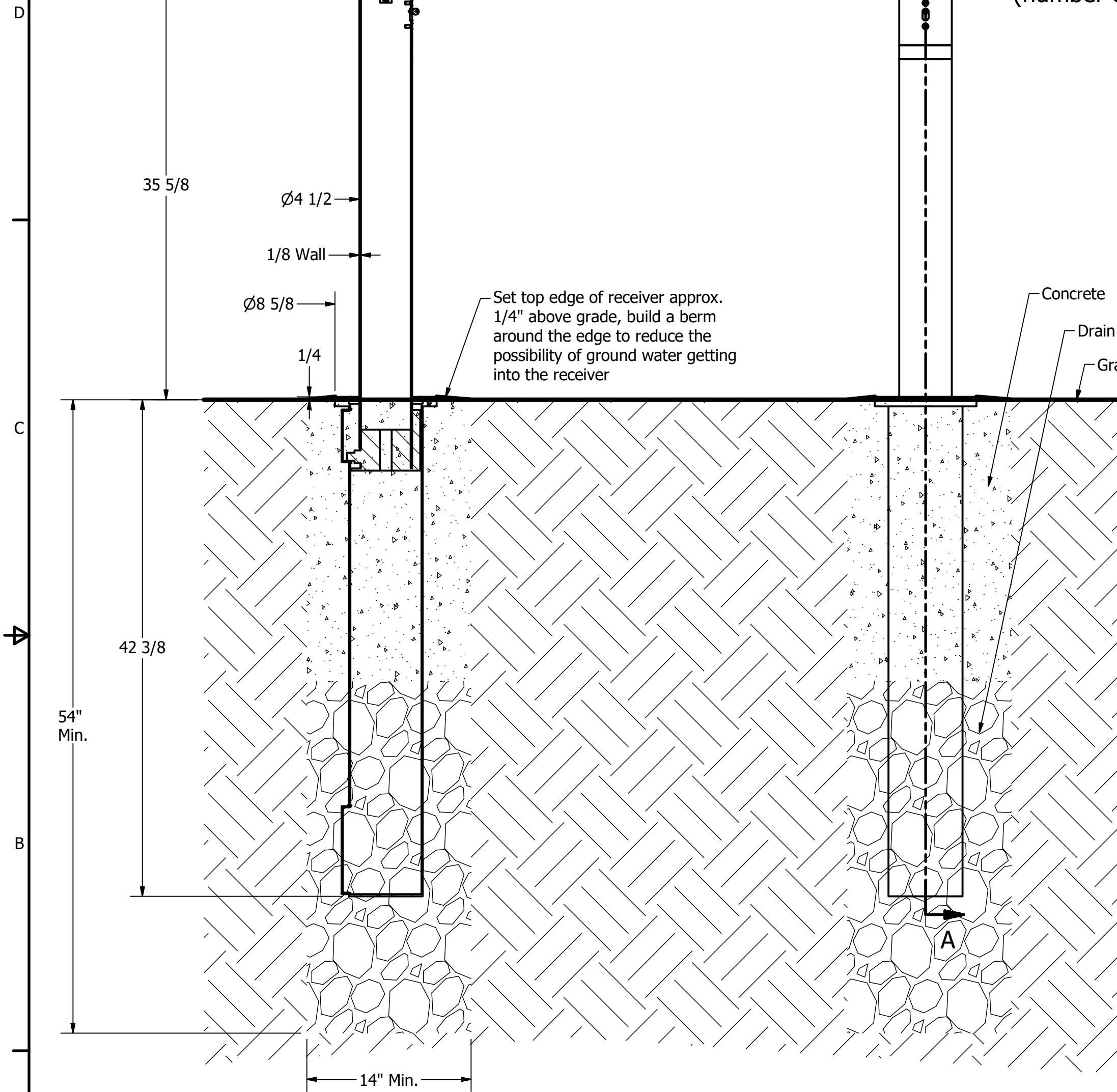
Weight: 24 lbs

Material: Stainless Steel 316

Finish: Satin Surface Finish Buffed No. 6

#### Reflective Tape Options:

- Yellow
- White
- Red
- Blue
- None



### Notes:

#### SECTION A-A

- Embedment details are for reference illustration only. Minimum foundation sizes depend on local soil conditions, weather conditions, and engineering requirements.
- Bollard is provided as shown, with parts listed below. Concrete foundation and/or installation not provided by Reliance Foundry.
- This drawing is not drawn to scale. Dimensions provided herein is for reference only. Please consult Reliance Foundry sales professionals if any dimension is critical to your particular installation.
- Reliance Foundry reserves the right to amend design and specifications without prior notice for product improvement.

**RELIANCE FOUNDRY**  
— SINCE 1925 —

Unit 207, 6450 - 148 Street, Surrey, BC V3S 7G7, Canada  
1-888-735-5680 info@reliance-foundry.com  
[www.reliance-foundry.com](http://www.reliance-foundry.com)

PARTS LIST					
ITEM	QTY	PART NUMBER	DESCRIPTION	MATERIAL	WEIGHT
1	1	R8472	R8472 Retractable Bollard Assembly	Stainless Steel 316	24 lbs
2	1	R8472R	R8472R Retractable Bollard Receiver	Steel Hot Dip Galvanized w/ Stainless Steel 316 Cover	37 lbs
3	1	Reflective Tape (Optional)	Optional Reflective Tape, Max. 1-1/8" Width	Plastic	

**Bollard R-8472**

SIZE	DWG NO	REV
C	R8472	C1