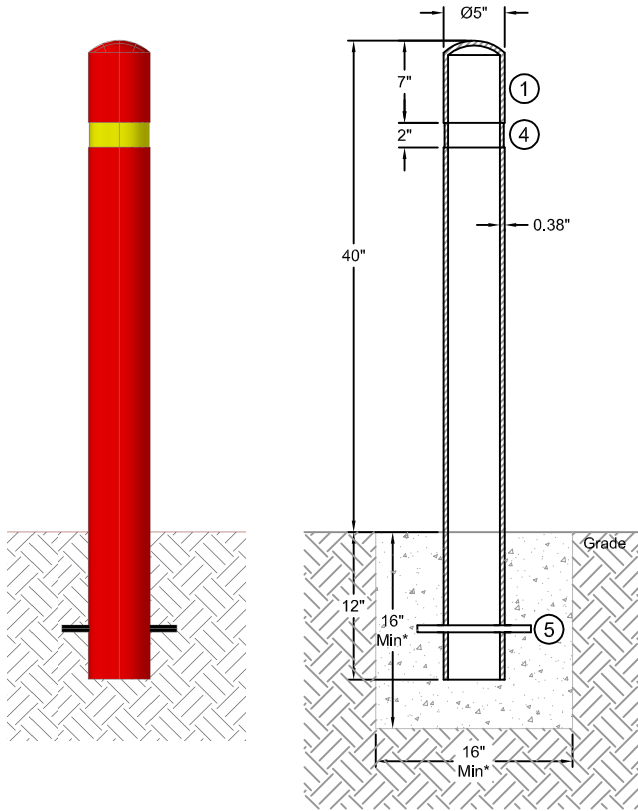
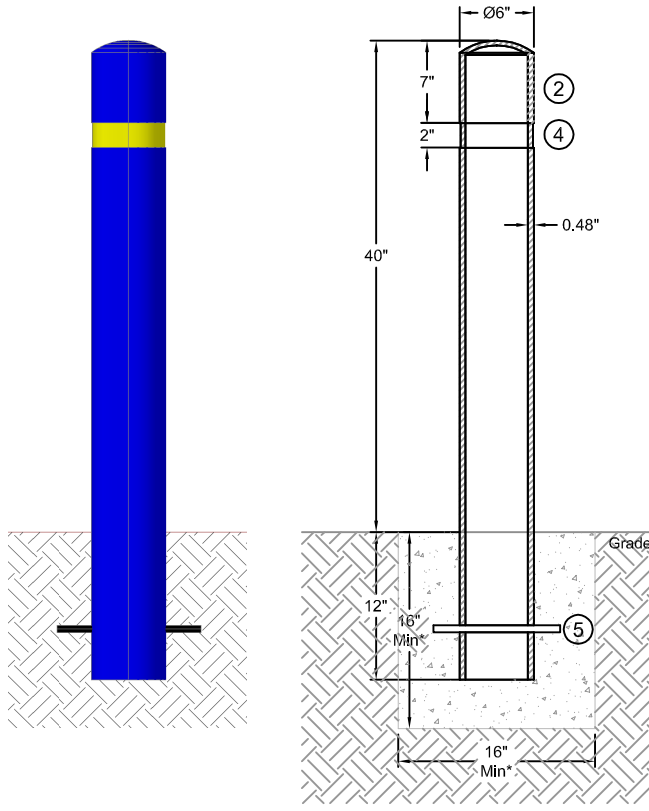


Fixed

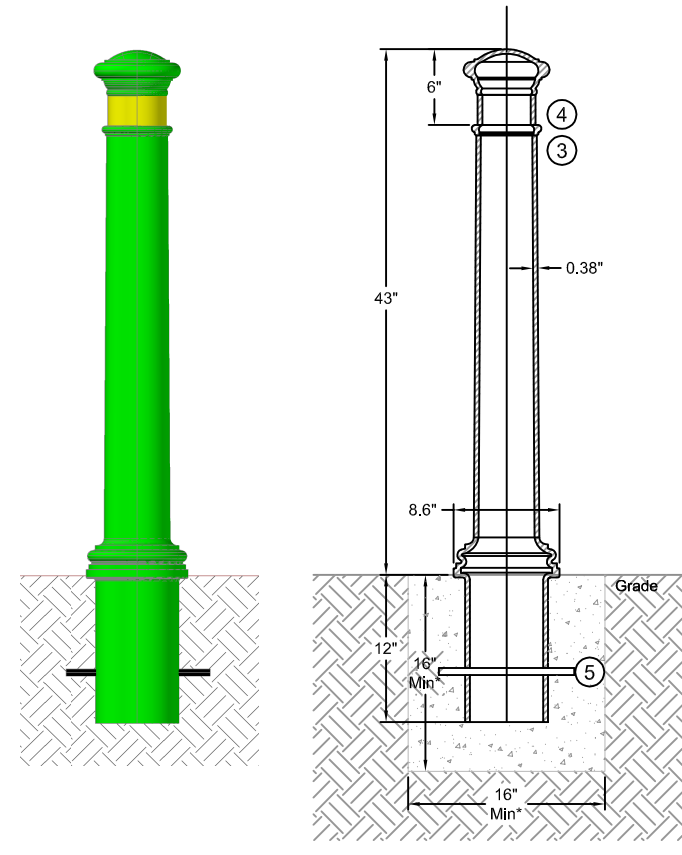
R-8351
Embedded



R-8352
Embedded



R-8353
Embedded



Thermal Stability: Good, +/-10 SHORE D (medium hard, flexibility similar to tire thread)

Working Temperature: -40/+60 Degree C (-104/+140 Degree F)


* Minimum foundation size depends on local soil conditions, weather conditions & engineering requirements

Fire Resistance: Class E, as per UNE-EN-ISO 11925-2:2002, suitable for use as bollard in the street

Impact Resistance: Test of 50 impacts, bending the bollard through 90 degree, simulating a 1500kg(3307lb) vehicle at 15 km/h (9.3 mph)

Fatigue Resistance: Test of 500 impacts, bending the bollard through 45 degree, at interval of 30 seconds

Flexible Bollard				
Item	Part Number	Description	Material	Weight
1	R-8351	Flexible Bollard, Embedded	Polyurethane	12 lbs.
2	R-8352	Flexible Bollard, Embedded	Polyurethane	17 lbs
3	R-8353	Flexible Bollard, Embedded	Polyurethane	22 lbs
4		Reflective Tape - White, Yellow Or Blue (Optional)	Plastic	
5	R-8350	Rebar For Anchoring (Supplied)	Steel	N/A

REV	DATE	DESCRIPTION	DR
 <p>RELIANCE FOUNDRY CO. LTD.</p> <p>Unit 207, 6450 - 148 Street, Surrey, BC, Canada V3S-7G7 1-888-735-5680 - info@reliance-foundry.com www.reliance-foundry.com www.bollards.ca www.bike-parking.ca</p>			
Flexible Bollard, Model R-8351/52/53			
SCALE	NTS	DRAWING NUMBER	SIZE
DESIGN			REV.
DATE	07/06/2012	R-8351 / R-8352 / R-8353	A A