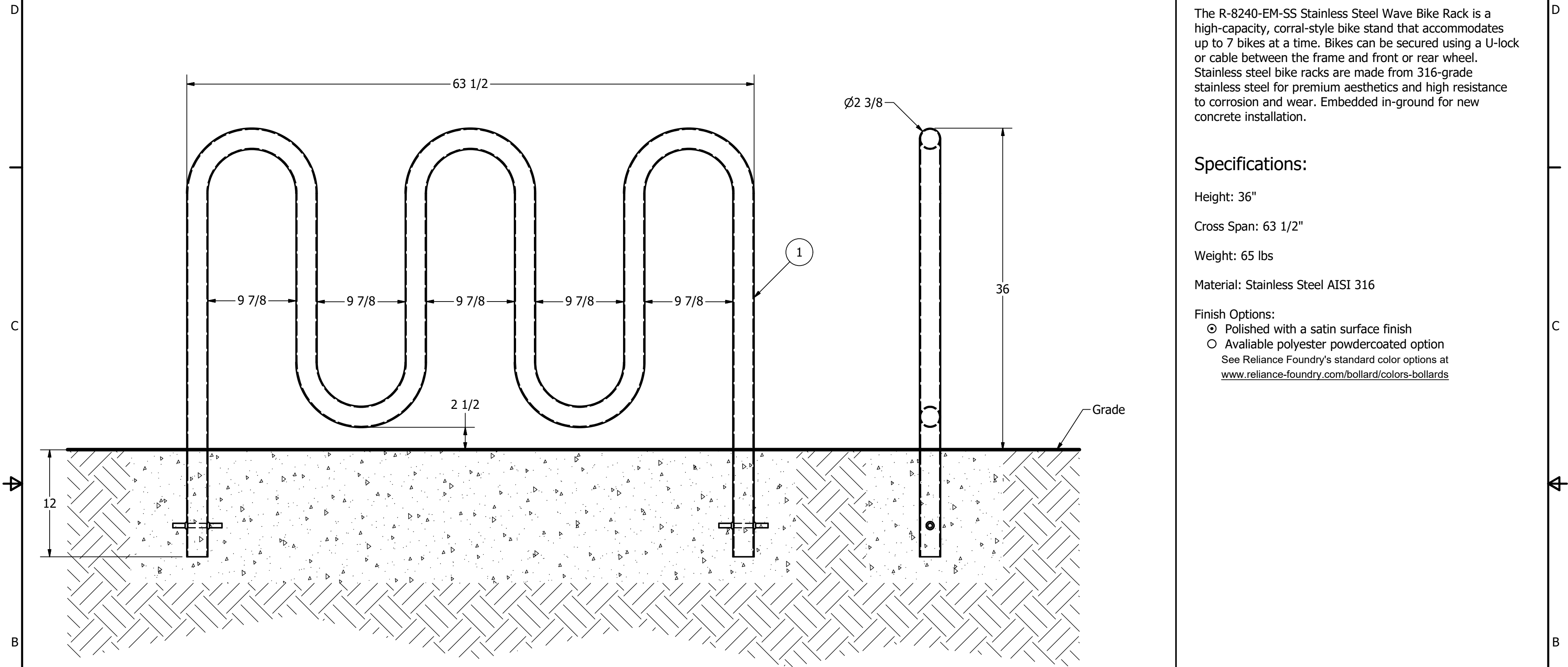


# Bike Rack, R-8240-EM-SS



## General Description:

The R-8240-EM-SS Stainless Steel Wave Bike Rack is a high-capacity, corral-style bike stand that accommodates up to 7 bikes at a time. Bikes can be secured using a U-lock or cable between the frame and front or rear wheel. Stainless steel bike racks are made from 316-grade stainless steel for premium aesthetics and high resistance to corrosion and wear. Embedded in-ground for new concrete installation.

## Specifications:

Height: 36"  
 Cross Span: 63 1/2"  
 Weight: 65 lbs  
 Material: Stainless Steel AISI 316

## Finish Options:

- ⊙ Polished with a satin surface finish
  - Available polyester powdercoated option
- See Reliance Foundry's standard color options at [www.reliance-foundry.com/bollard/colors-bollards](http://www.reliance-foundry.com/bollard/colors-bollards)

## Notes:

- Embedment details are for reference illustration only. Minimum foundation sizes depend on local soil conditions, weather conditions and engineering requirements.
- Bike rack is provided as shown with parts listed below. Concrete foundation and/or installation not provided by Reliance Foundry.
- This drawing is not drawn to scale. Dimensions provided herein are for reference only. Please consult Reliance Foundry sales professionals if any dimension is critical to your particular installation.
- Reliance Foundry reserves the right to amend design and specifications without prior notice for product improvement.

**RELIANCE FOUNDRY**  
 SINCE 1925

Unit 207, 6450 - 148 Street, Surrey, BC V3S 7G7, Canada  
 1-877-789-3245 info@reliance-foundry.com  
[www.reliance-foundry.com](http://www.reliance-foundry.com)

TITLE			
<b>Bike Rack, R-8240-EM-SS</b>			
SIZE	DWG NO	REV	
C	R8240EMSS	C1	
NOT TO SCALE		SHEET 1 OF 2	

PARTS LIST					
ITEM	QTY	PART NUMBER	DESCRIPTION	MATERIAL	WEIGHT
1	1	R8240EMSS	Bike Rack R8240EMSS	Stainless Steel 316	65 lbs

# Bike Rack, R-8240-EM-SS

## Bike Rack Spacing

Spacing dimensions are only example suggestions and may not be suitable for specific locations. Dimensions do not account for walkways or other space considerations. Be sure to consult a design professional and any applicable municipal codes before installing.

## General Description:

The R-8240-EM-SS Stainless Steel Wave Bike Rack is a high-capacity, corral-style bike stand that accommodates up to 7 bikes at a time. Bikes can be secured using a U-lock or cable between the frame and front or rear wheel. Stainless steel bike racks are made from 316-grade stainless steel for premium aesthetics and high resistance to corrosion and wear. Embedded in-ground for new concrete installation.

## Specifications:

Height: 36"

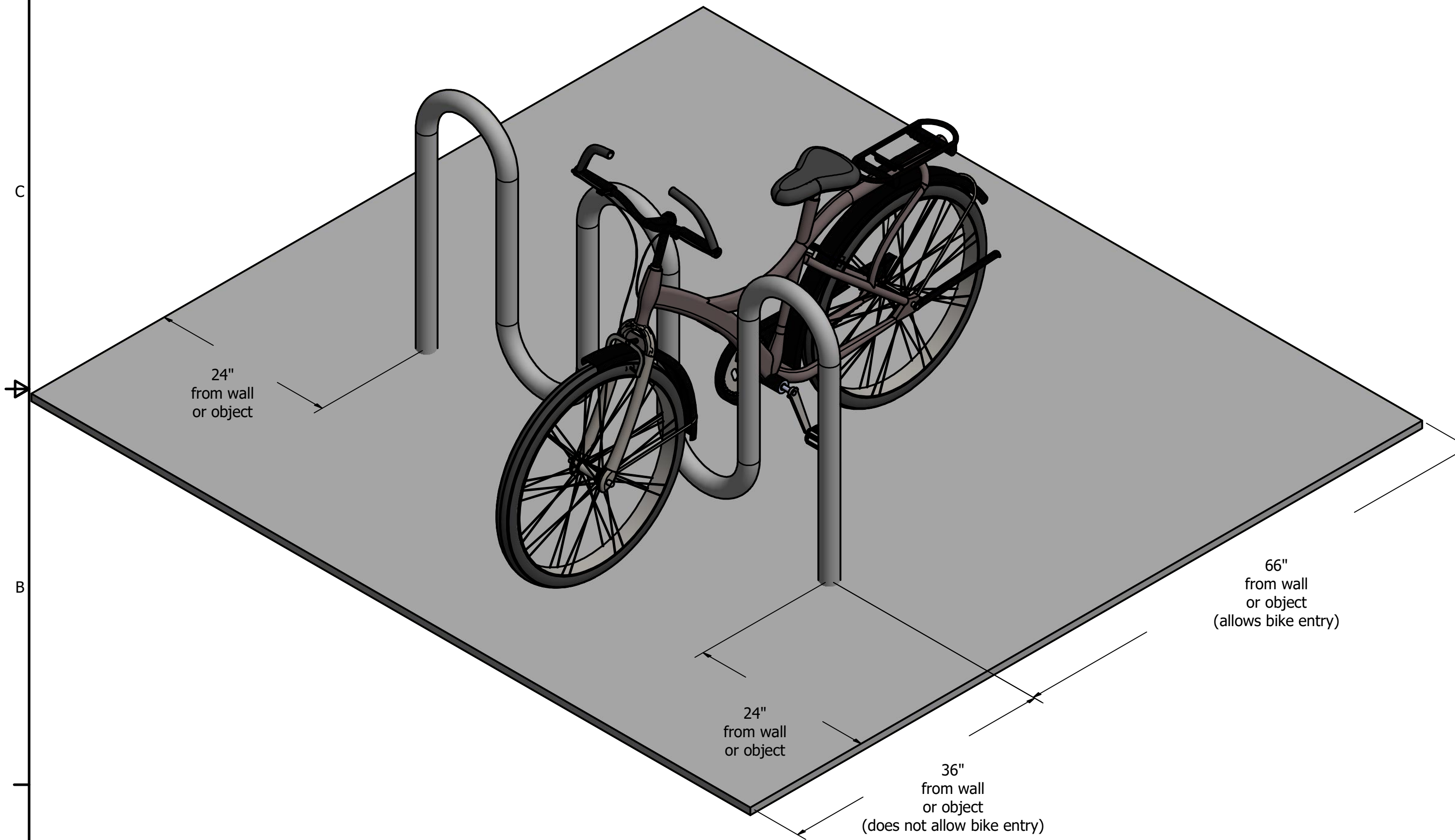
Cross Span: 63 1/2"

Weight: 65 lbs

Material: Stainless Steel AISI 316

### Finish Options:

- Polished with a satin surface finish
  - Available polyester powdercoated option
- See Reliance Foundry's standard color options at [www.reliance-foundry.com/bollard/colors-bollards](http://www.reliance-foundry.com/bollard/colors-bollards)



**RELIANCE FOUNDRY**  
SINCE 1925

Unit 207, 6450 - 148 Street, Surrey, BC V3S 7G7, Canada  
1-877-789-3245 info@reliance-foundry.com  
[www.reliance-foundry.com](http://www.reliance-foundry.com)

TITLE

**Bike Rack, R-8240-EM-SS**

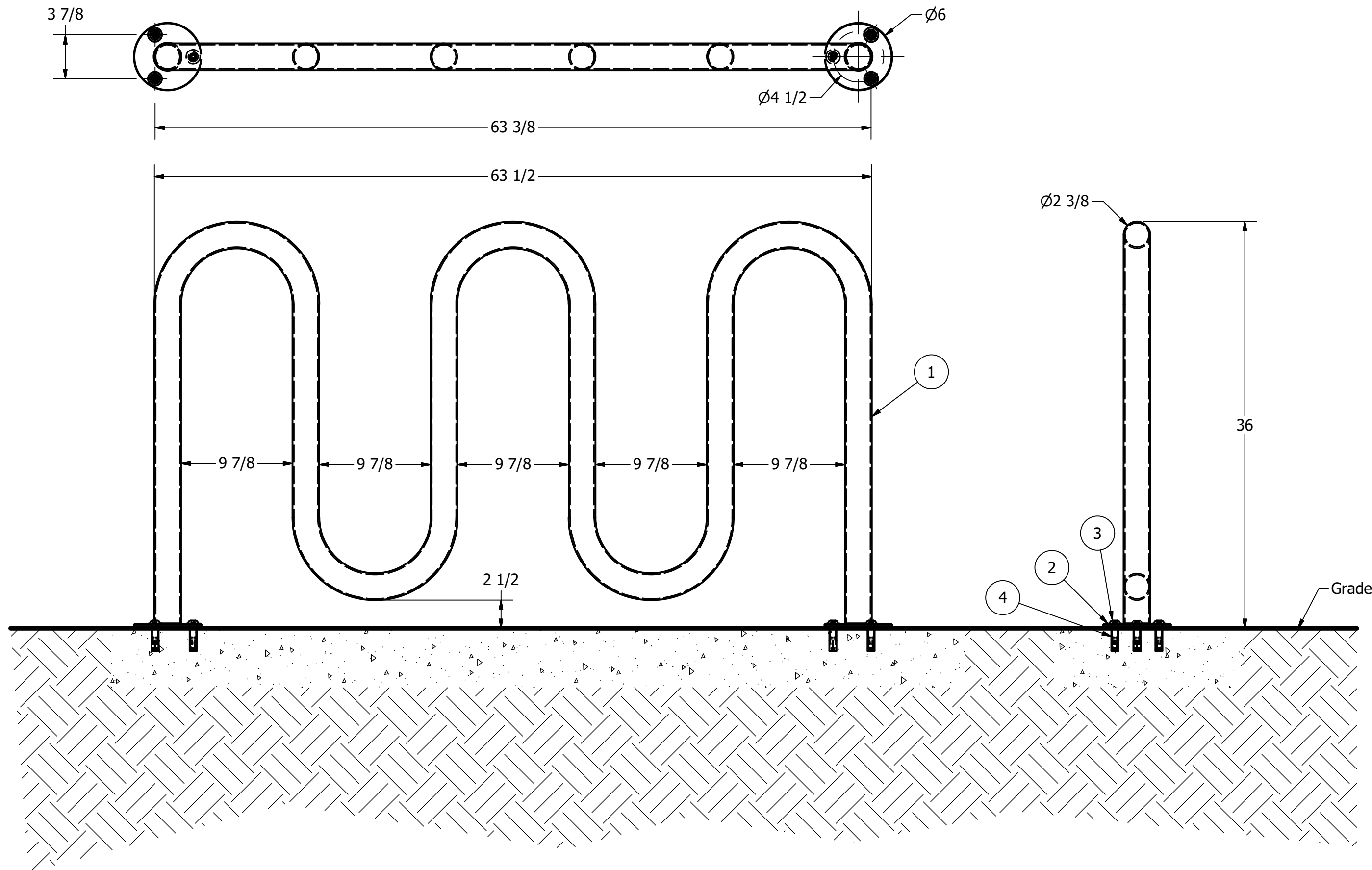
SIZE	DWG NO	REV
C	R8240EMSS	C1

# Bike Rack, Model R-8240-FL-SS

## Drop-in Anchor Installation:

- 1) Use a carbide tip drill bit (conforming to ANSI B 212.15) to drill 5/8" x 2" hole (dia. x depth)
- 2) Clean drill hole of debris
- 3) Insert anchor into drill hole
- 4) Use hammer and proper setting tool\* (for 1/2" Drop-In Anchor from UCAN) to drive plug down
- 5) Fasten button head screw (Maximum torque 22 ft x lbf)

\* Substitute a narrow punch tool at installer's risk



## General Description:

The R-8240-FL-SS Stainless Steel Wave Bike Rack is a high-capacity, corral-style bike stand that accommodates up to 7 bikes at a time. Bikes can be secured using a U-lock or cable between the frame and front or rear wheel. Stainless steel bike racks are made from 316-grade stainless steel for premium aesthetics and high resistance to corrosion and wear. Bolt-down flanges for existing concrete surface installation.

## Specifications:

Height: 36"

Cross Span: 63 1/2"

Weight: 63 lbs

Material: Stainless Steel 316

### Finish Options:

- ⊙ Polished with a satin surface finish
  - Available polyester powdercoated option
- See Reliance Foundry's standard color options at [www.reliance-foundry.com/bollard/colors-bollards](http://www.reliance-foundry.com/bollard/colors-bollards)

## Notes:

- Embedment details are for reference illustration only. Minimum foundation sizes depend on local soil conditions, weather conditions and engineering requirements.
- Bike rack is provided as shown with parts listed below. Concrete foundation and/or installation not provided by Reliance Foundry.
- This drawing is not drawn to scale. Dimensions provided herein are for reference only. Please consult Reliance Foundry sales professionals if any dimension is critical to your particular installation.
- Reliance Foundry reserves the right to amend design and specifications without prior notice for product improvement.

**RELIANCE FOUNDRY**  
SINCE 1925

Unit 207, 6450 - 148 Street, Surrey, BC V3S 7G7, Canada  
1-877-789-3245 info@reliance-foundry.com  
[www.reliance-foundry.com](http://www.reliance-foundry.com)

TITLE

**Bike Rack, Model R-8240-FL-SS**

SIZE  
C

DWG NO

**R8240FLSS**

REV  
C1

COPYRIGHT RESERVED THIS PLAN DRAWING AND DESIGN ARE, AND AT ALL TIMES REMAIN, THE EXCLUSIVE PROPERTY OF RELIANCE FOUNDRY CO. LTD.

NOT TO SCALE

SHEET 1 OF 2



# Bike Rack, Model R-8240-FL-SS

## Bike Rack Spacing

Spacing dimensions are only example suggestions and may not be suitable for specific locations. Dimensions do not account for walkways or other space considerations. Be sure to consult a design professional and any applicable municipal codes before installing.

## General Description:

The R-8240-FL-SS Stainless Steel Wave Bike Rack is a high-capacity, corral-style bike stand that accommodates up to 7 bikes at a time. Bikes can be secured using a U-lock or cable between the frame and front or rear wheel. Stainless steel bike racks are made from 316-grade stainless steel for premium aesthetics and high resistance to corrosion and wear. Bolt-down flanges for existing concrete surface installation.

## Specifications:

Height: 36"

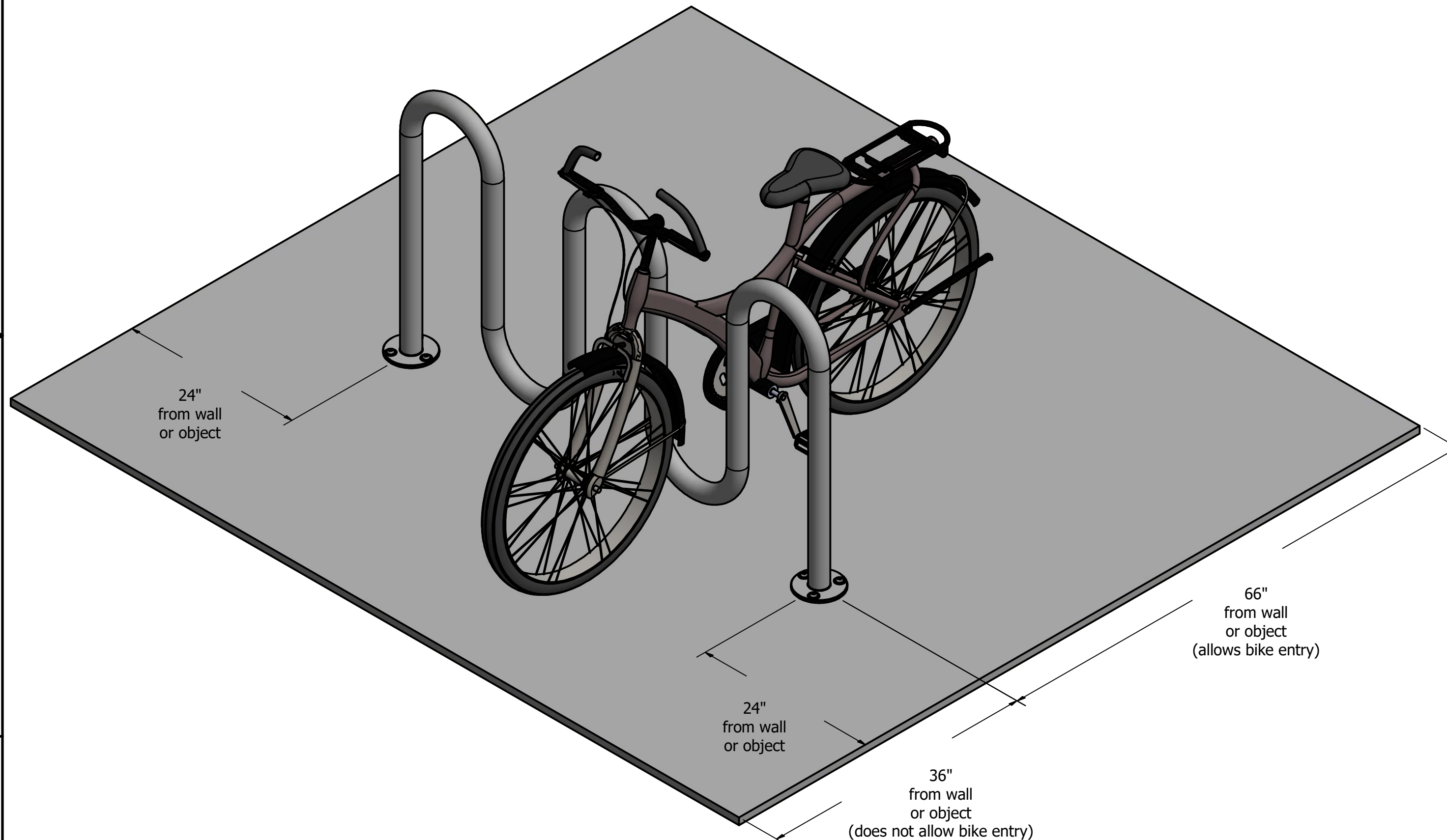
Cross Span: 63 1/2"

Weight: 63 lbs

Material: Stainless Steel 316

### Finish Options:

- Polished with a satin surface finish
  - Available polyester powdercoated option
- See Reliance Foundry's standard color options at [www.reliance-foundry.com/bollard/colors-bollards](http://www.reliance-foundry.com/bollard/colors-bollards)



**RELIANCE FOUNDRY**  
SINCE 1925

Unit 207, 6450 - 148 Street, Surrey, BC V3S 7G7, Canada  
1-877-789-3245 info@reliance-foundry.com  
[www.reliance-foundry.com](http://www.reliance-foundry.com)

TITLE  
**Bike Rack, Model R-8240-FL-SS**

SIZE	DWG NO	REV
C	R8240FLSS	C1