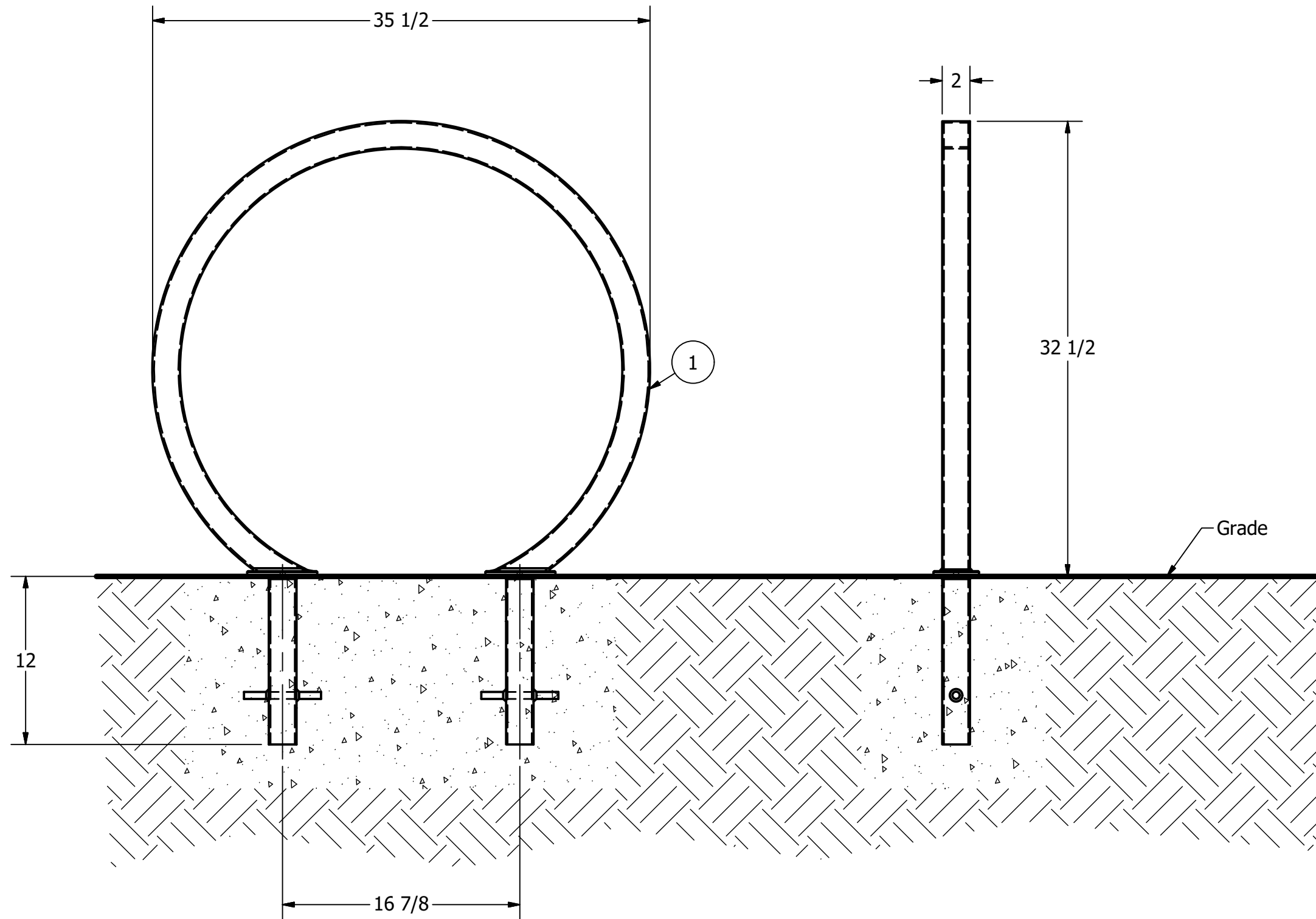


Bike Rack, R-8234-EM-SS



General Description:

The R-8234-EM-SS Circular Bike Rack (Square Tube) offers a narrow design, making it suitable for sidewalks and other pedestrian areas. The round, ring-shape offers 2-point contact with bike frames to avoid tipping--and is long enough to accommodate a U-lock or cable around each tire and bike frame. Install circular bike racks in series for custom, high-capacity bike corrals. Circular bike racks are made from 316-grade stainless steel for premium aesthetics and high resistance to corrosion and wear. Embedded in-ground mountings for new concrete installations.

Specifications:

Height: 32 1/2"

Cross Span: 35 1/2"

Weight: 36 lbs

Material: Stainless Steel AISI 316

Finish Options:

- ⊙ Polished with a satin surface finish
 - Available polyester powdercoated options
- See Reliance Foundry's standard color options at www.reliance-foundry.com/bollard/colors-bollards

Notes:

- Embedment details are for reference illustration only. Minimum foundation sizes depend on local soil conditions, weather conditions and engineering requirements.
- Bike rack is provided as shown with parts listed below. Concrete foundation and/or installation not provided by Reliance Foundry.
- This drawing is not drawn to scale. Dimensions provided herein are for reference only. Please consult Reliance Foundry sales professionals if any dimension is critical to your particular installation.
- Reliance Foundry reserves the right to amend design and specifications without prior notice for product improvement.

RELIANCE FOUNDRY
— SINCE 1925 —

Unit 207, 6450 - 148 Street, Surrey, BC V3S 7G7, Canada
1-877-789-3245 info@reliance-foundry.com
www.reliance-foundry.com

TITLE

Bike Rack, R-8234-EM-SS

PARTS LIST					
ITEM	QTY	PART NUMBER	DESCRIPTION	MATERIAL	WEIGHT
1	1	R8234EMSS	Bike Rack R8234EMSS	Stainless Steel 316	36 lbs

SIZE	DWG NO	REV
C	R8234EMSS	C1

Bike Rack, R-8234-EM-SS

Bike Rack Spacing

Spacing dimensions are only example suggestions and may not be suitable for specific locations. Dimensions do not account for walkways or other space considerations. Be sure to consult a design professional and any applicable municipal codes before installing.

General Description:

The R-8234-EM-SS Circular Bike Rack (Square Tube) offers a narrow design, making it suitable for sidewalks and other pedestrian areas. The round, ring-shape offers 2-point contact with bike frames to avoid tipping--and is long enough to accommodate a U-lock or cable around each tire and bike frame. Install circular bike racks in series for custom, high-capacity bike corrals. Circular bike racks are made from 316-grade stainless steel for premium aesthetics and high resistance to corrosion and wear. Embedded in-ground mountings for new concrete installations.

Specifications:

Height: 32 1/2"

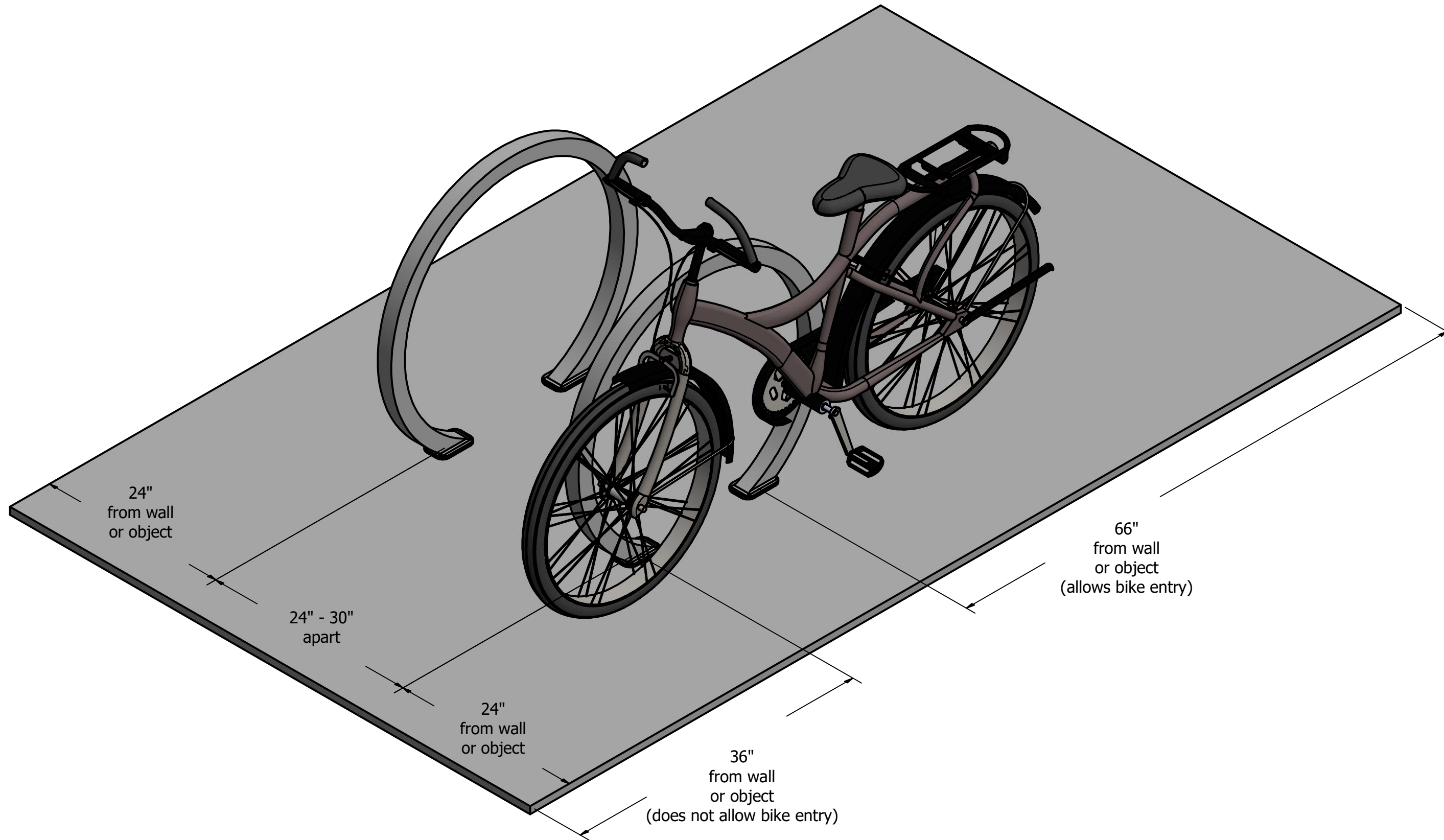
Cross Span: 35 1/2"

Weight: 36 lbs

Material: Stainless Steel AISI 316

Finish Options:

- Polished with a satin surface finish
 - Available polyester powdercoated options
- See Reliance Foundry's standard color options at www.reliance-foundry.com/bollard/colors-bollards



RELIANCE FOUNDRY
SINCE 1925

Unit 207, 6450 - 148 Street, Surrey, BC V3S 7G7, Canada
1-877-789-3245 info@reliance-foundry.com
www.reliance-foundry.com

TITLE

Bike Rack, R-8234-EM-SS

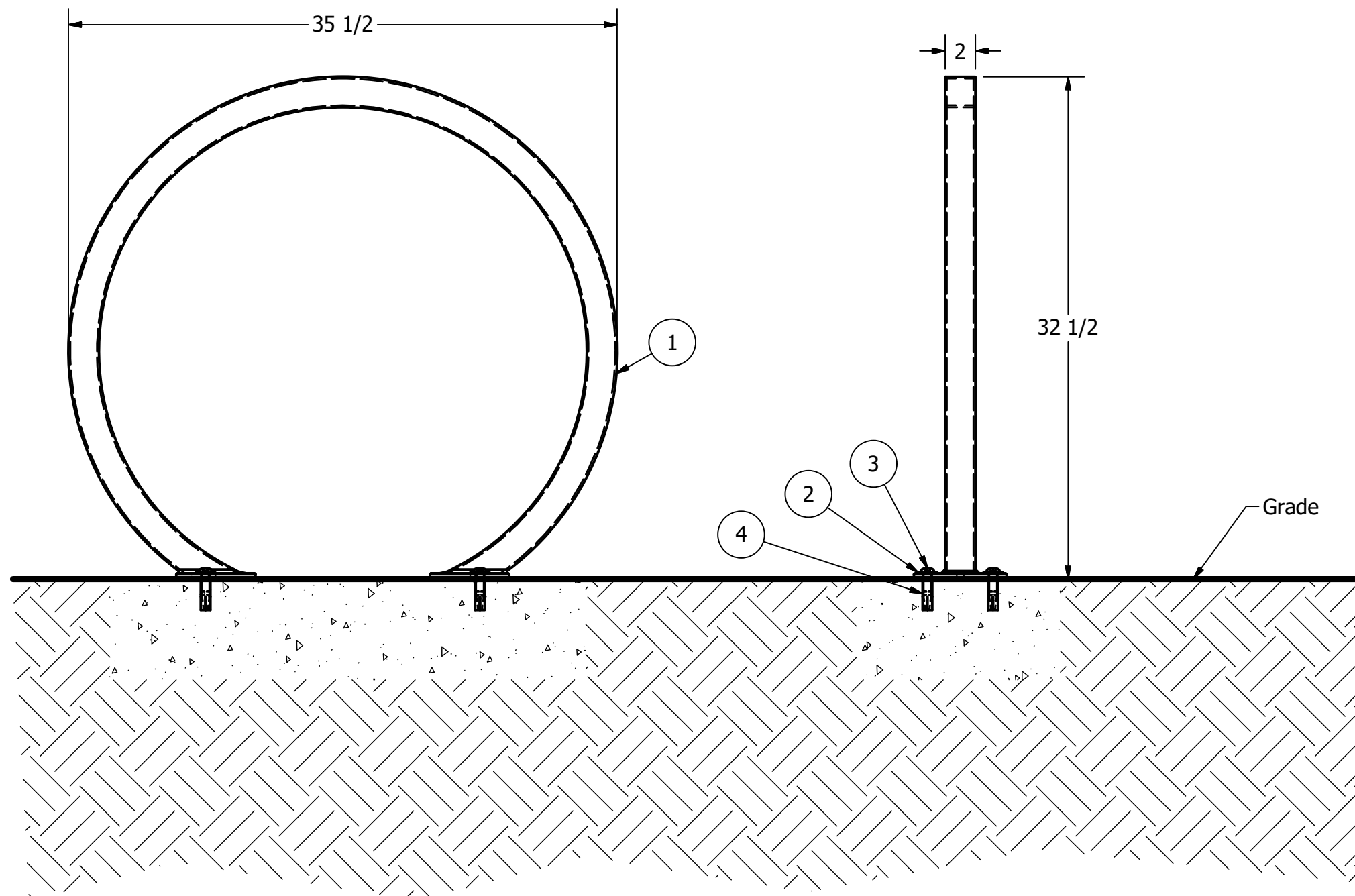
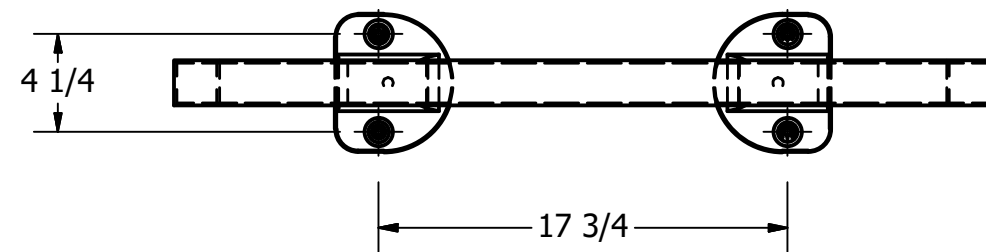
SIZE	DWG NO	REV
C	R8234EMSS	C1

Bike Rack, R-8234-FL-SS

Drop-in Anchor Installation:

- 1) Use a carbide tip drill bit (conforming to ANSI B 212.15) to drill 5/8" x 2" hole (dia. x depth)
- 2) Clean drill hole of debris
- 3) Insert anchor into drill hole
- 4) Use hammer and proper setting tool* (for 1/2" Drop-In Anchor from UCAN) to drive plug down
- 5) Fasten button head screw (Maximum torque 22 ft x lbf)

* Substitute a narrow punch tool at installer's risk



General Description:

The R-8234-FL-SS Circular Bike Rack (Square Tube) offers a narrow design, making it suitable for sidewalks and other pedestrian areas. The round, ring-shape offers 2-point contact with bike frames to avoid tipping--and is long enough to accommodate a U-lock or cable around each tire and bike frame. Install circular bike racks in series for custom, high-capacity bike corrals. Circular bike racks are made from 316-grade stainless steel for premium aesthetics and high resistance to corrosion and wear. Bolt-down flanges for existing concrete surfaces.

Specifications:

Height: 32 1/2"

Cross Span: 35 1/2"

Weight: 32 lbs

Material: Stainless Steel AISI 316

Finish Options:

- ⊙ Polished with a satin surface finish
 - Available polyester powdercoated options
- See Reliance Foundry's standard color options at www.reliance-foundry.com/bollard/colors-bollards

Notes:

- Embedment details are for reference illustration only. Minimum foundation sizes depend on local soil conditions, weather conditions and engineering requirements.
- Bike rack is provided as shown with parts listed below. Concrete foundation and/or installation not provided by Reliance Foundry.
- This drawing is not drawn to scale. Dimensions provided herein are for reference only. Please consult Reliance Foundry sales professionals if any dimension is critical to your particular installation.
- Reliance Foundry reserves the right to amend design and specifications without prior notice for product improvement.

RELIANCE FOUNDRY
— SINCE 1925 —

Unit 207, 6450 - 148 Street, Surrey, BC V3S 7G7, Canada
1-877-789-3245 info@reliance-foundry.com
www.reliance-foundry.com

TITLE

Bike Rack, R-8234-FL-SS

SIZE
C

DWG NO

R8234FLSS

REV
C2

PARTS LIST					
ITEM	QTY	PART NUMBER	DESCRIPTION	MATERIAL	WEIGHT
1	1	R8234FLSS	Bike Rack R8234FLSS	Stainless Steel 316	32 lbs
2	4	Stainless Steel Washer 1/2"	Stainless Steel Washer 1/2" OD 1 1/4" Thick .05"	Stainless Steel	
3	4	Button Head Bolt 1/2" x 1 1/4"	Hexagon Socket Button Head Cap Bolt 1/2" x 1 1/4" - requires 5/16" hex key	Stainless Steel	1/8 lbs
4	4	Drop-in Concrete Insert 1/2"	Drop-in Concrete Insert 1/2" - requires 5/8" x 2" hole (dia. x depth)	Steel Plated	1/8 lbs

COPYRIGHT RESERVED THIS PLAN DRAWING AND DESIGN ARE, AND AT ALL TIMES REMAIN, THE EXCLUSIVE PROPERTY OF RELIANCE FOUNDRY CO. LTD.

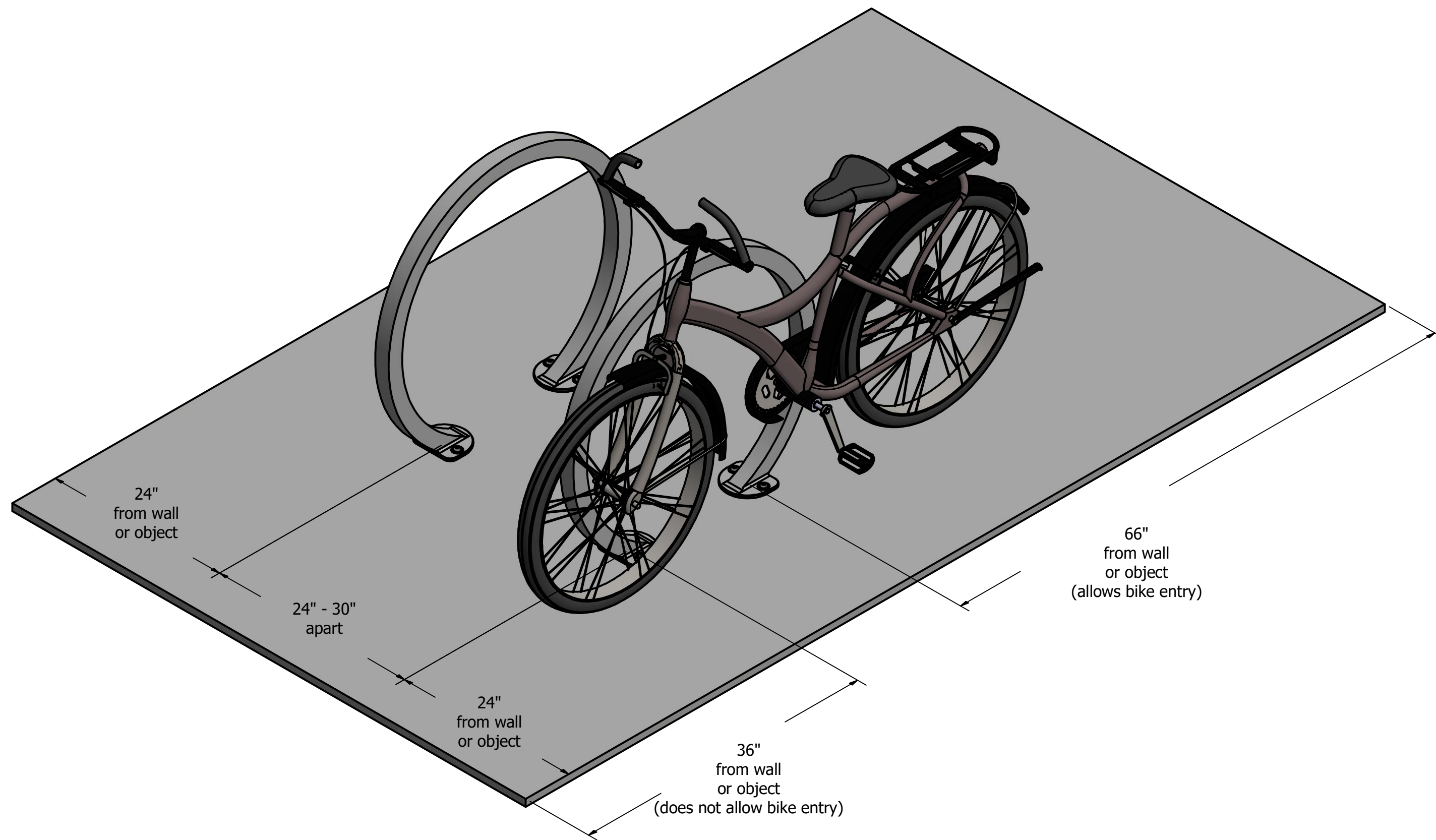
NOT TO SCALE

SHEET 1 OF 2

Bike Rack, R-8234-FL-SS

Bike Rack Spacing

Spacing dimensions are only example suggestions and may not be suitable for specific locations. Dimensions do not account for walkways or other space considerations. Be sure to consult a design professional and any applicable municipal codes before installing.



General Description:

The R-8234-FL-SS Circular Bike Rack (Square Tube) offers a narrow design, making it suitable for sidewalks and other pedestrian areas. The round, ring-shape offers 2-point contact with bike frames to avoid tipping--and is long enough to accommodate a U-lock or cable around each tire and bike frame. Install circular bike racks in series for custom, high-capacity bike corrals. Circular bike racks are made from 316-grade stainless steel for premium aesthetics and high resistance to corrosion and wear. Bolt-down flanges for existing concrete surfaces.

Specifications:

Height: 32 1/2"

Cross Span: 35 1/2"

Weight: 32 lbs

Material: Stainless Steel AISI 316

Finish Options:

- Polished with a satin surface finish
 - Available polyester powdercoated options
- See Reliance Foundry's standard color options at www.reliance-foundry.com/bollard/colors-bollards

RELIANCE FOUNDRY
SINCE 1925

Unit 207, 6450 - 148 Street, Surrey, BC V3S 7G7, Canada
1-877-789-3245 info@reliance-foundry.com
www.reliance-foundry.com

TITLE

Bike Rack, R-8234-FL-SS

SIZE	DWG NO	REV
C	R8234FLSS	C2