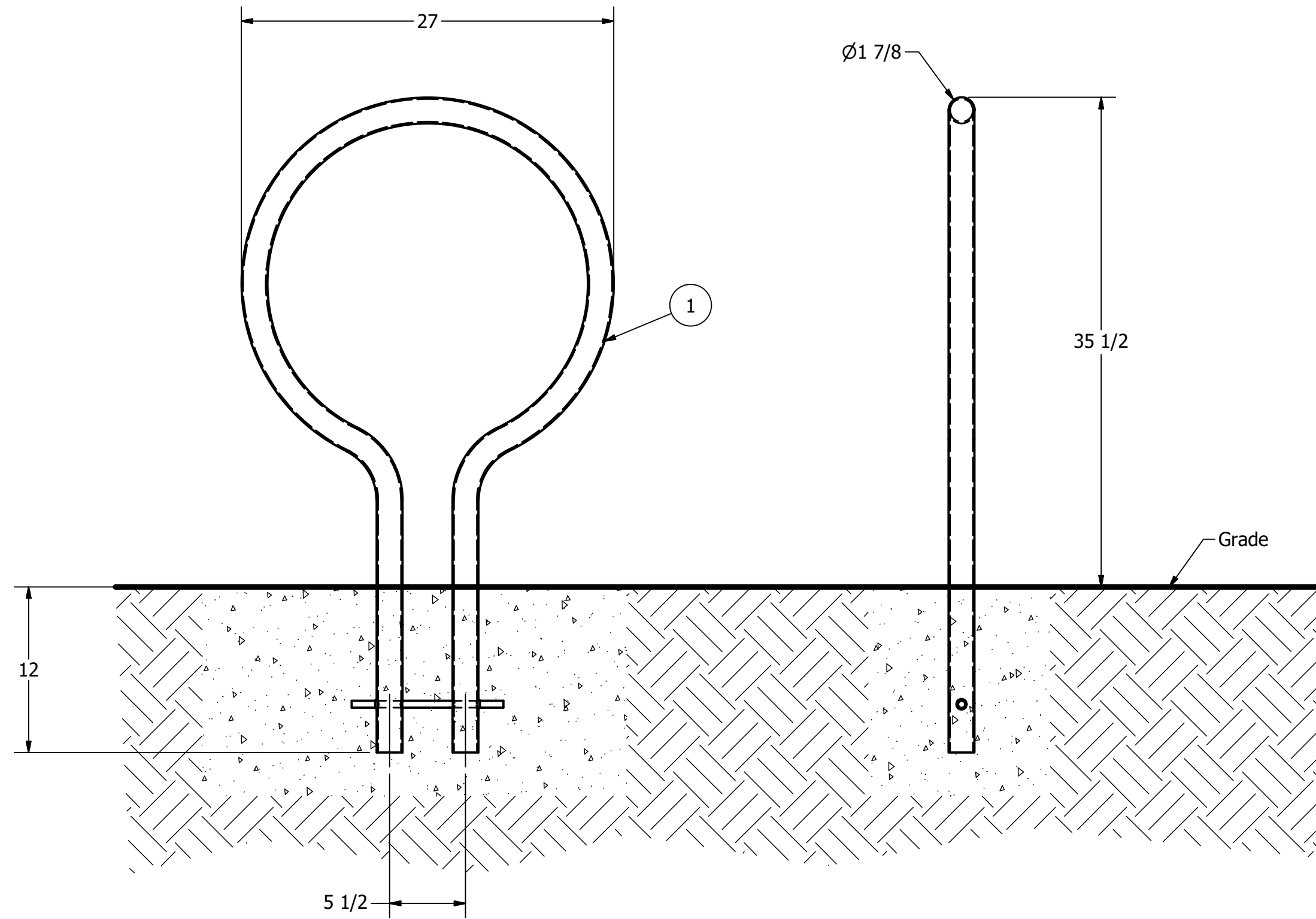


# Bike Rack, R-8226-EM-SS



## General Description:

The R-8226-EM-SS Stainless Steel Bike Rack offers a sleek design suitable for sidewalks and pedestrian areas. Made from 316-grade stainless steel for protection against corrosion and wear. Offers 2-point contact with bike frames for dependable security. Install in new concrete using embedded in-ground mountings. Select from 1 of 6 custom colors.

## Specifications:

Height: 35 1/2"

Cross Span: 27"

Weight: 23 lbs

Material: Stainless Steel 316

### Finish Options:

- ⊙ Polished with a satin surface finish
  - Available polyester powdercoated option
- See Reliance Foundry's standard color options at [www.reliance-foundry.com/bollard/colors-bollards](http://www.reliance-foundry.com/bollard/colors-bollards)

## Notes:

- Embedment details are for reference illustration only. Minimum foundation sizes depend on local soil conditions, weather conditions and engineering requirements.
- Bike rack is provided as shown with parts listed below. Concrete foundation and/or installation not provided by Reliance Foundry.
- This drawing is not drawn to scale. Dimensions provided herein are for reference only. Please consult Reliance Foundry sales professionals if any dimension is critical to your particular installation.
- Reliance Foundry reserves the right to amend design and specifications without prior notice for product improvement.

**RELIANCE FOUNDRY**  
— SINCE 1925 —

Unit 207, 6450 - 148 Street, Surrey, BC V3S 7G7, Canada  
1-877-789-3245 info@reliance-foundry.com  
[www.reliance-foundry.com](http://www.reliance-foundry.com)

TITLE

**Bike Rack, R-8226-EM-SS**

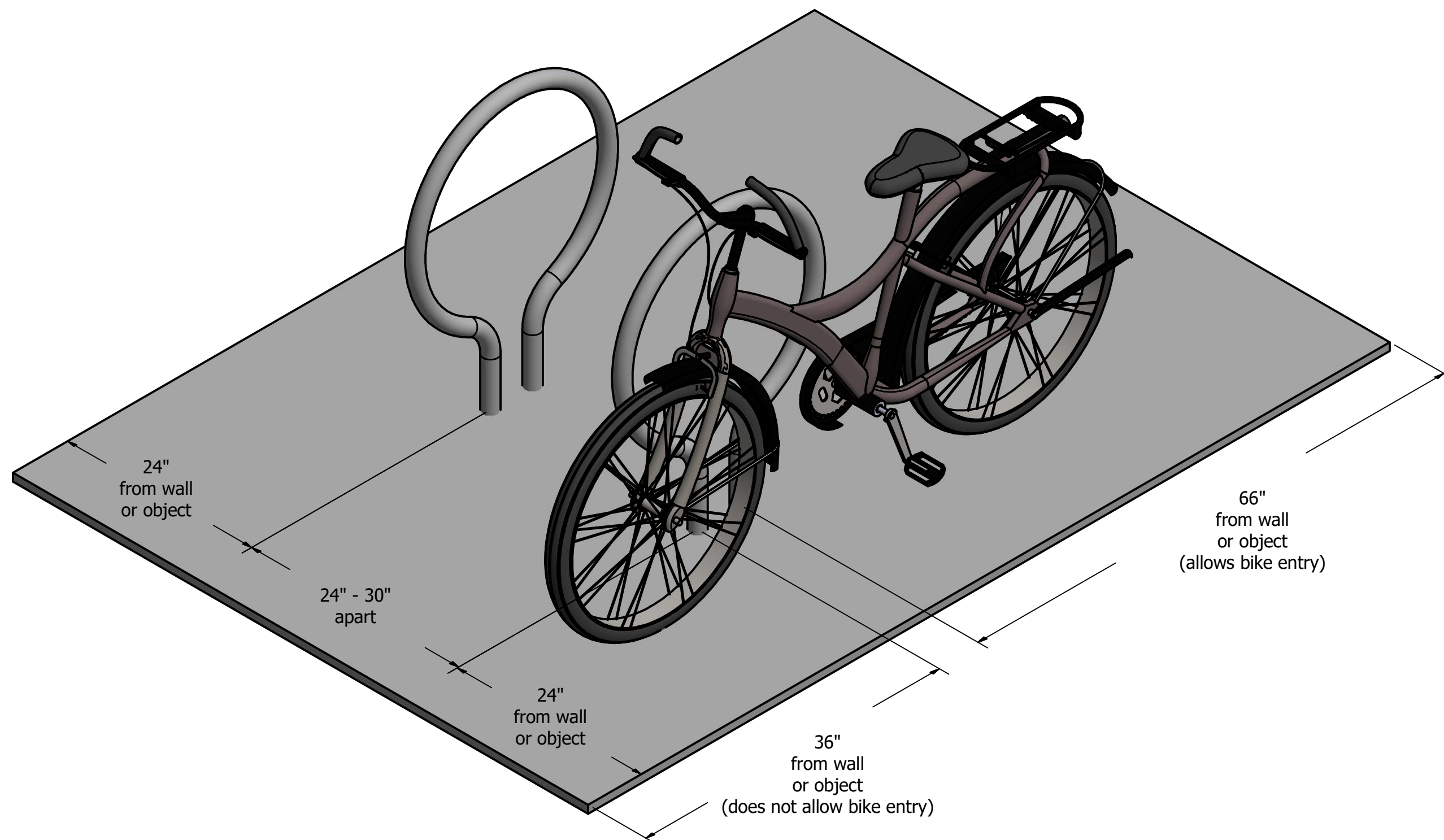
PARTS LIST					
ITEM	QTY	PART NUMBER	DESCRIPTION	MATERIAL	WEIGHT
1	1	R8226EMSS	Bike Rack R8226EMSS	Stainless Steel 316	23 lbs

SIZE <b>C</b>	DWG NO <b>R8226EMSS</b>	REV <b>C</b>
------------------	----------------------------	-----------------

# Bike Rack, R-8226-EM-SS

## Bike Rack Spacing

Spacing dimensions are only example suggestions and may not be suitable for specific locations. Dimensions do not account for walkways or other space considerations. Be sure to consult a design professional and any applicable municipal codes before installing.



## General Description:

The R-8226-EM-SS Stainless Steel Bike Rack offers a sleek design suitable for sidewalks and pedestrian areas. Made from 316-grade stainless steel for protection against corrosion and wear. Offers 2-point contact with bike frames for dependable security. Install in new concrete using embedded in-ground mountings. Select from 1 of 6 custom colors.

## Specifications:

Height: 35 1/2"

Cross Span: 27"

Weight: 23 lbs

Material: Stainless Steel 316

### Finish Options:

- Polished with a satin surface finish
  - Available polyester powdercoated option
- See Reliance Foundry's standard color options at [www.reliance-foundry.com/bollard/colors-bollards](http://www.reliance-foundry.com/bollard/colors-bollards)

**RELIANCE FOUNDRY**  
SINCE 1925

Unit 207, 6450 - 148 Street, Surrey, BC V3S 7G7, Canada  
1-877-789-3245 info@reliance-foundry.com  
[www.reliance-foundry.com](http://www.reliance-foundry.com)

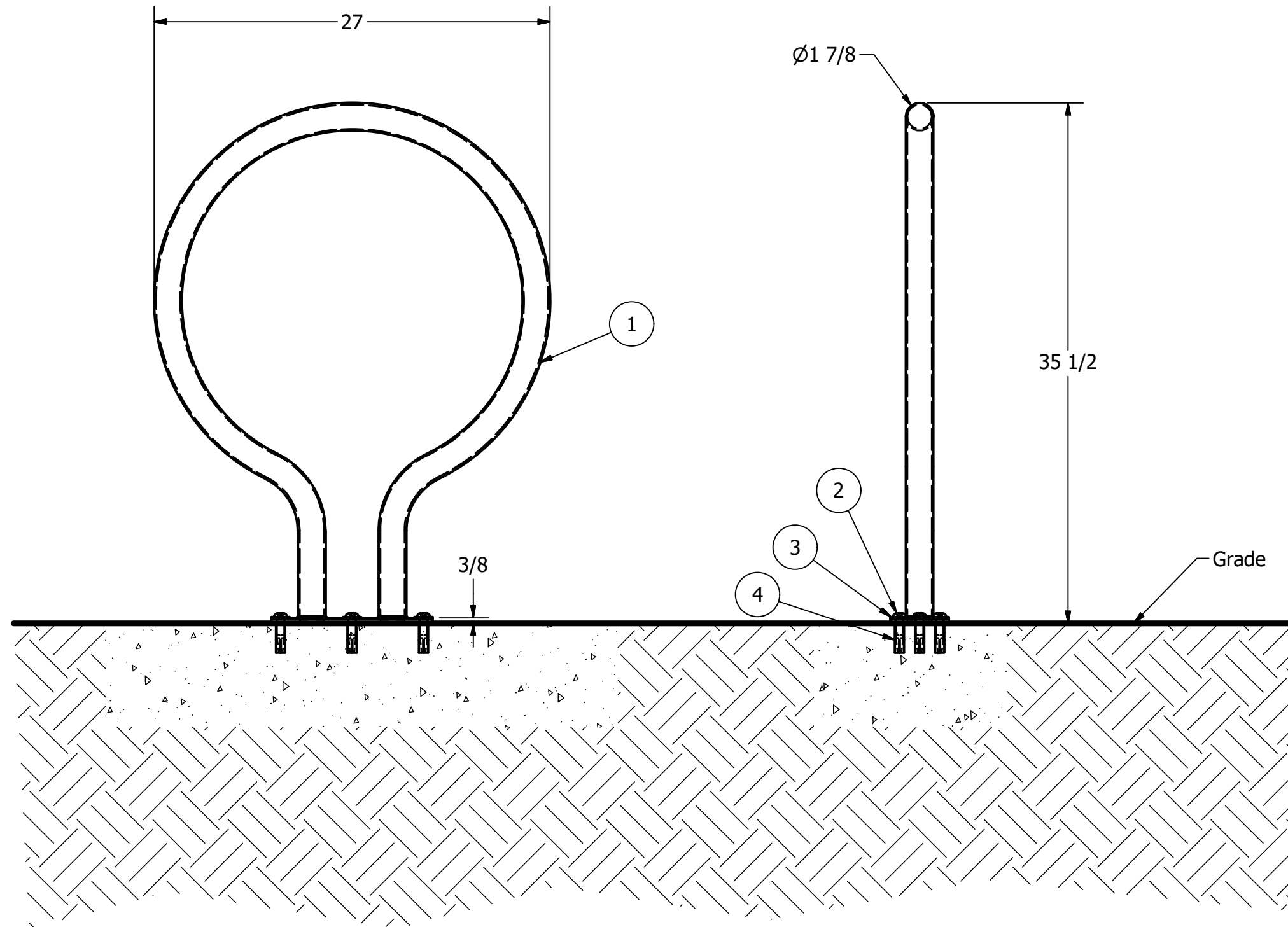
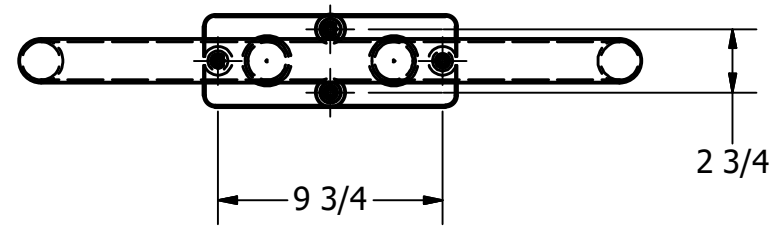
TITLE			
<b>Bike Rack, R-8226-EM-SS</b>			
SIZE	DWG NO	REV	
C	R8226EMSS	C	
NOT TO SCALE		SHEET 2 OF 2	

# Bike Rack, R-8226-FL-SS

### Drop-in Anchor Installation:

- 1) Use a carbide tip drill bit (conforming to ANSI B 212.15) to drill 5/8" x 2" hole (dia. x depth)
- 2) Clean drill hole of debris
- 3) Insert anchor into drill hole
- 4) Use hammer and proper setting tool\* (for 1/2" Drop-In Anchor from UCAN) to drive plug down
- 5) Fasten button head screw (Maximum torque 22 ft x lbf)

\* Substitute a narrow punch tool at installer's risk



### General Description:

The R-8226-FL-SS Stainless Steel Bike Rack is made from 316-grade stainless steel for premium aesthetics and protection against corrosion and wear. Features a sleek design suitable for sidewalks and high pedestrian areas. Offers 2-point contact with bike frames for dependable security. Bolt-down flange for easy installation on existing concrete surfaces. Select from 1 of 6 custom colors.

### Specifications:

Height: 35 1/2"

Cross Span: 27"

Weight: 22 lbs

Material: Stainless Steel 316

### Finish Options:

- ⊙ Polished with a satin surface finish
  - Available polyester powdercoated option
- See Reliance Foundry's standard color options at [www.reliance-foundry.com/bollard/colors-bollards](http://www.reliance-foundry.com/bollard/colors-bollards)

### Notes:

- Embedment details are for reference illustration only. Minimum foundation sizes depend on local soil conditions, weather conditions and engineering requirements.
- Bike rack is provided as shown with parts listed below. Concrete foundation and/or installation not provided by Reliance Foundry.
- This drawing is not drawn to scale. Dimensions provided herein are for reference only. Please consult Reliance Foundry sales professionals if any dimension is critical to your particular installation.
- Reliance Foundry reserves the right to amend design and specifications without prior notice for product improvement.

**RELIANCE FOUNDRY**  
SINCE 1925

Unit 207, 6450 - 148 Street, Surrey, BC V3S 7G7, Canada  
1-877-789-3245 info@reliance-foundry.com  
[www.reliance-foundry.com](http://www.reliance-foundry.com)

TITLE

**Bike Rack, R-8226-FL-SS**

### PARTS LIST

ITEM	QTY	PART NUMBER	DESCRIPTION	MATERIAL	WEIGHT
1	1	R8226FLSS	Bike Rack R8226FLSS	Stainless Steel 316	22 lbs
2	4	Button Head Bolt 1/2" x 1 1/4"	Hexagon Socket Button Head Cap Bolt 1/2" x 1 1/4" - requires 5/16" hex key	Stainless Steel	1/8 lbs
3	4	Stainless Steel Washer 1/2"	Stainless Steel Washer 1/2" OD 1 1/4" Thick .05"	Stainless Steel	
4	4	Drop-in Concrete Insert 1/2"	Drop-in Concrete Insert 1/2" - requires 5/8" x 2" hole (dia. x depth)	Steel Plated	1/8 lbs

SIZE  
C

DWG NO

R8226FLSS

REV  
C

COPYRIGHT RESERVED THIS PLAN DRAWING AND DESIGN ARE, AND AT ALL TIMES REMAIN, THE EXCLUSIVE PROPERTY OF RELIANCE FOUNDRY CO. LTD.

NOT TO SCALE

SHEET 1 OF 2



# Bike Rack, R-8226-FL-SS

## Bike Rack Spacing

Spacing dimensions are only example suggestions and may not be suitable for specific locations. Dimensions do not account for walkways or other space considerations. Be sure to consult a design professional and any applicable municipal codes before installing.

## General Description:

The R-8226-FL-SS Stainless Steel Bike Rack is made from 316-grade stainless steel for premium aesthetics and protection against corrosion and wear. Features a sleek design suitable for sidewalks and high pedestrian areas. Offers 2-point contact with bike frames for dependable security. Bolt-down flange for easy installation on existing concrete surfaces. Select from 1 of 6 custom colors.

## Specifications:

Height: 35 1/2"

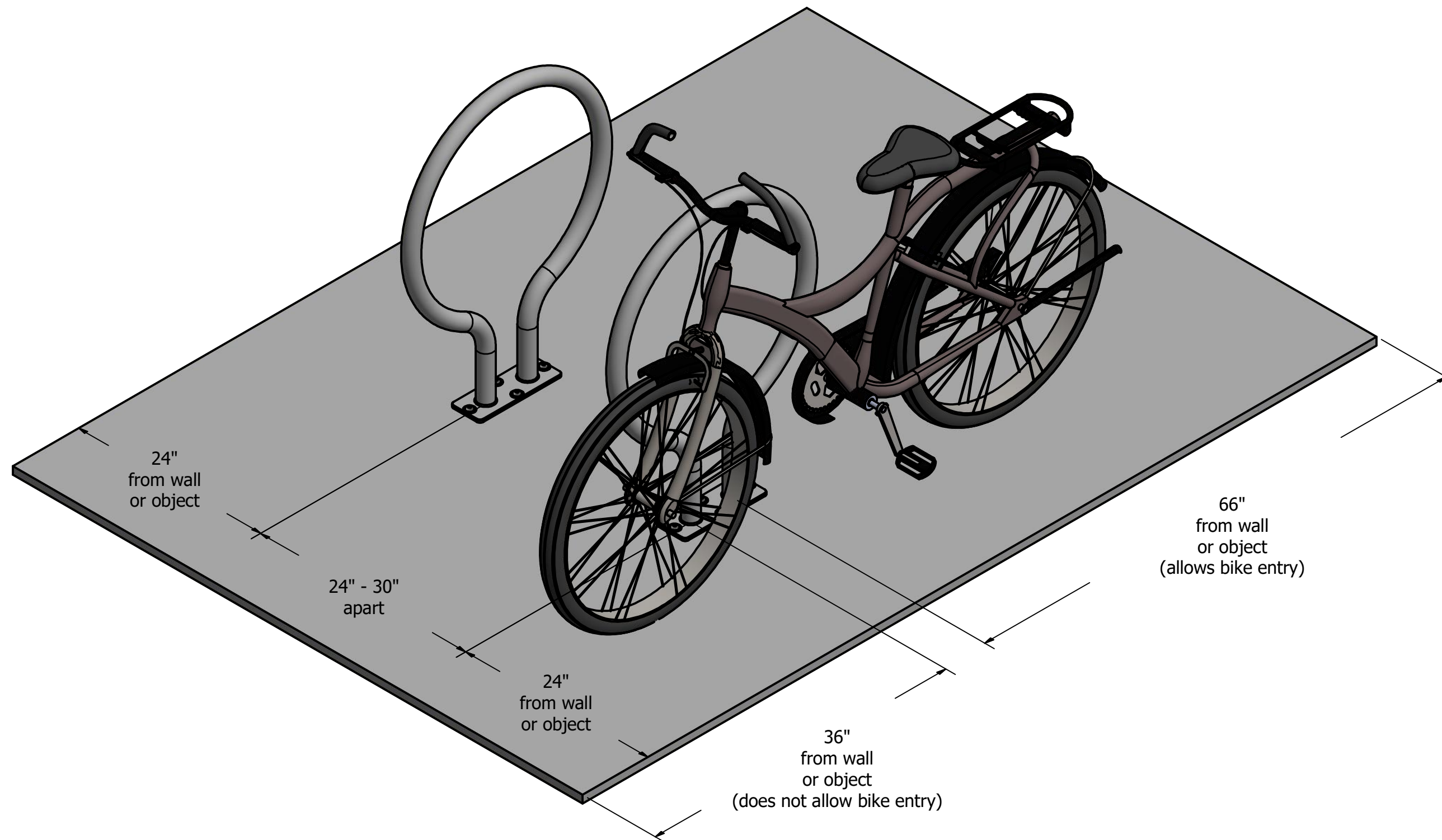
Cross Span: 27"

Weight: 22 lbs

Material: Stainless Steel 316

### Finish Options:

- Polished with a satin surface finish
  - Available polyester powdercoated option
- See Reliance Foundry's standard color options at [www.reliance-foundry.com/bollard/colors-bollards](http://www.reliance-foundry.com/bollard/colors-bollards)



**RELIANCE FOUNDRY**  
SINCE 1925

Unit 207, 6450 - 148 Street, Surrey, BC V3S 7G7, Canada  
1-877-789-3245 info@reliance-foundry.com  
[www.reliance-foundry.com](http://www.reliance-foundry.com)

TITLE			
<b>Bike Rack, R-8226-FL-SS</b>			
SIZE	DWG NO	REV	
C	R8226FLSS	C	
NOT TO SCALE		SHEET 2 OF 2	