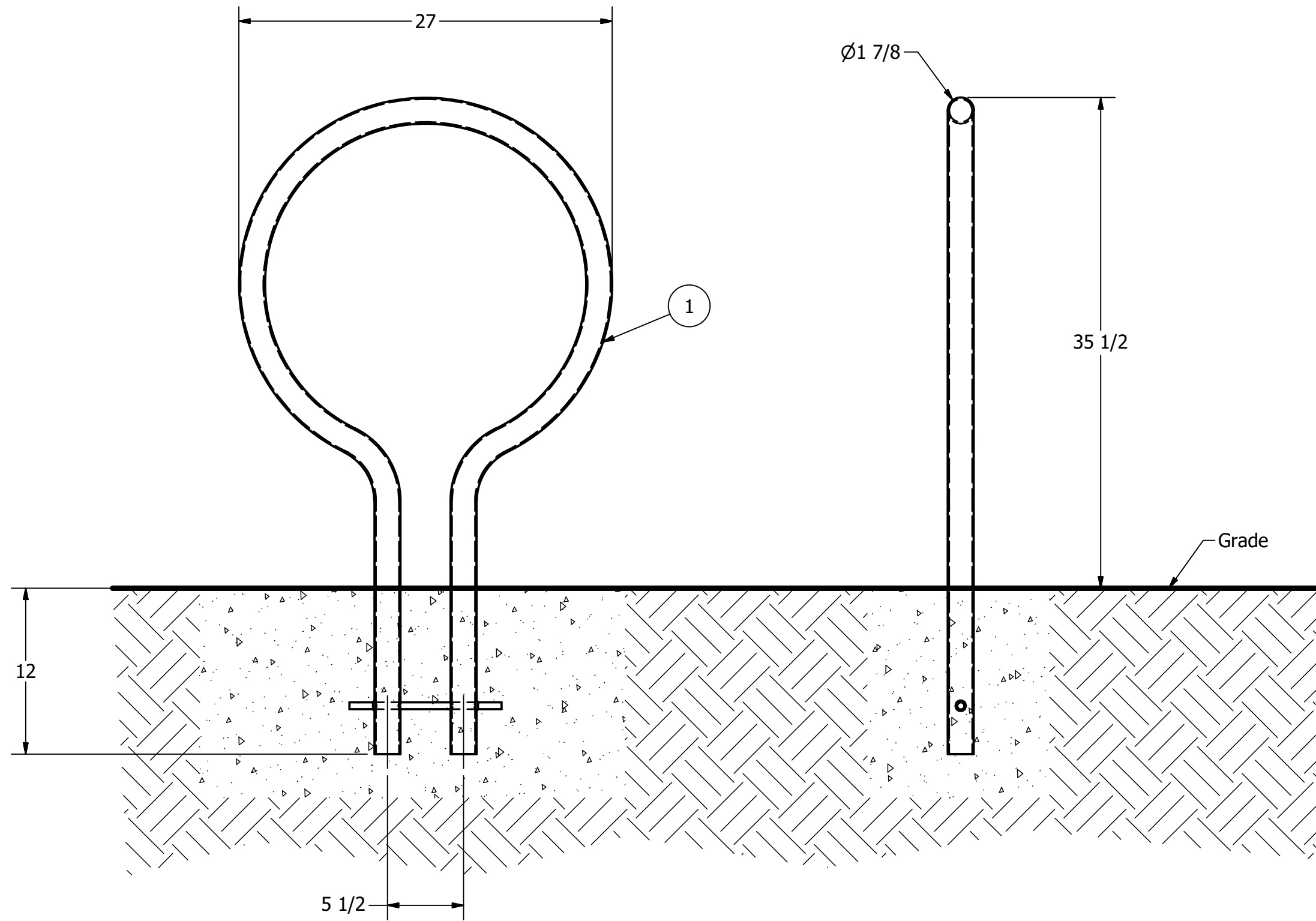


Bike Rack, R-8226-EM



General Description:

The R-8226-EM Bike Rack is made from carbon steel and finished with a durable powder coating to protect from corrosion and wear. Dependable security with two-point bike frame contact. An attractive design that is also U-lock compatible. Install using embedded in-ground mountings for new concrete. Select from 1 of 6 custom colors.

Specifications:

Height: 35 1/2"

Cross Span: 27"

Weight: 22 lbs

Material: Steel

Finish Options:

✓ Polyester Powdercoated

See Reliance Foundry's standard color options at www.reliance-foundry.com/bollard/colors-bollards

Notes:

- Embedment details are for reference illustration only. Minimum foundation sizes depend on local soil conditions, weather conditions and engineering requirements.
- Bike rack is provided as shown with parts listed below. Concrete foundation and/or installation not provided by Reliance Foundry.
- This drawing is not drawn to scale. Dimensions provided herein are for reference only. Please consult Reliance Foundry sales professionals if any dimension is critical to your particular installation.
- Reliance Foundry reserves the right to amend design and specifications without prior notice for product improvement.

RELIANCE FOUNDRY
— SINCE 1925 —

Unit 207, 6450 - 148 Street, Surrey, BC V3S 7G7, Canada
1-877-789-3245 info@reliance-foundry.com
www.reliance-foundry.com

TITLE

Bike Rack, R-8226-EM

PARTS LIST					
ITEM	QTY	PART NUMBER	DESCRIPTION	MATERIAL	WEIGHT
1	1	R8226EM	Bike Rack R8226EM	Steel Powder Coated	22 lbs

SIZE
C

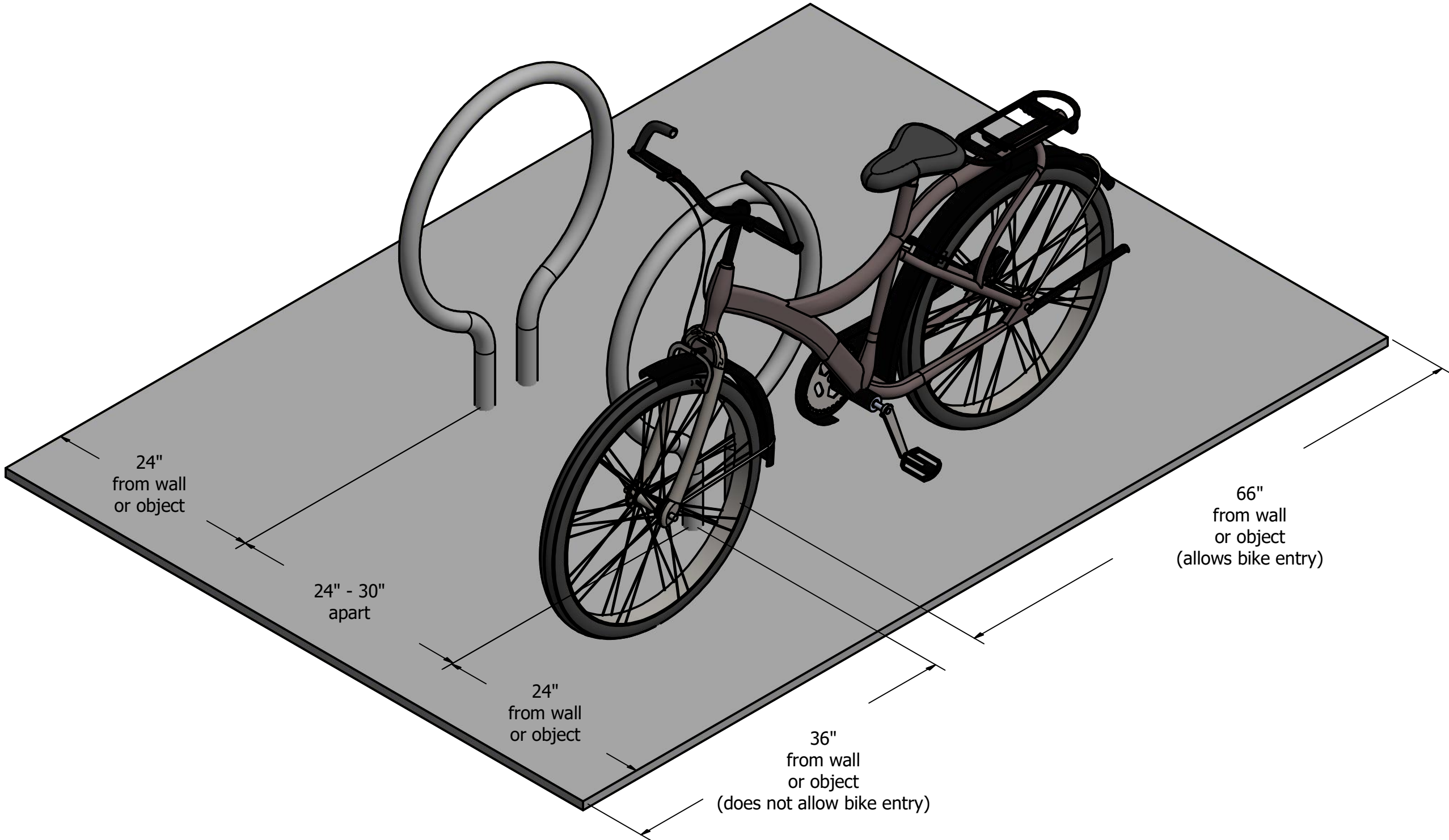
DWG NO
R8226EM

REV
C

Bike Rack, R-8226-EM

Bike Rack Spacing

Spacing dimensions are only example suggestions and may not be suitable for specific locations. Dimensions do not account for walkways or other space considerations. Be sure to consult a design professional and any applicable municipal codes before installing.



General Description:

The R-8226-EM Bike Rack is made from carbon steel and finished with a durable powder coating to protect from corrosion and wear. Dependable security with two-point bike frame contact. An attractive design that is also U-lock compatible. Install using embedded in-ground mountings for new concrete. Select from 1 of 6 custom colors.

Specifications:

- Height: 35 1/2"
- Cross Span: 27"
- Weight: 22 lbs
- Material: Steel

Finish Options:
 ✓ Polyester Powdercoated
 See Reliance Foundry's standard color options at www.reliance-foundry.com/bollard/colors-bollards

RELIANCE FOUNDRY
 SINCE 1925

Unit 207, 6450 - 148 Street, Surrey, BC V3S 7G7, Canada
 1-877-789-3245 info@reliance-foundry.com
www.reliance-foundry.com

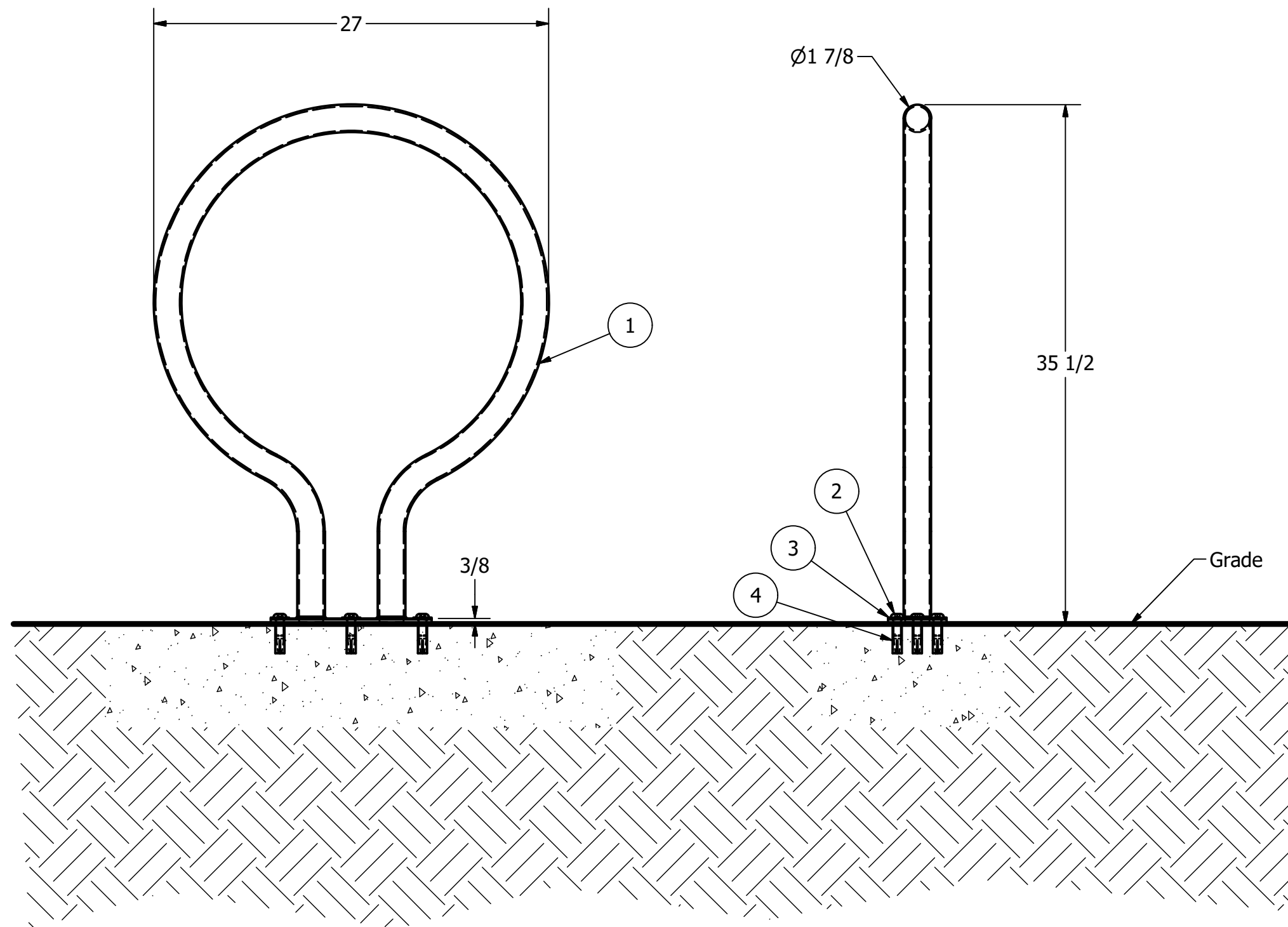
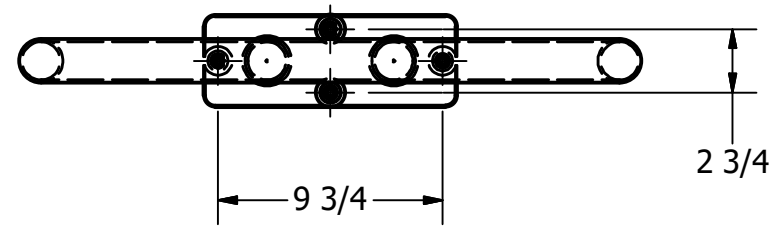
TITLE			
Bike Rack, R-8226-EM			
SIZE	DWG NO	REV	
C	R8226EM	C	
NOT TO SCALE		SHEET 2 OF 2	

Bike Rack, R-8226-FL

Drop-in Anchor Installation:

- 1) Use a carbide tip drill bit (conforming to ANSI B 212.15) to drill 5/8" x 2" hole (dia. x depth)
- 2) Clean drill hole of debris
- 3) Insert anchor into drill hole
- 4) Use hammer and proper setting tool* (for 1/2" Drop-In Anchor from UCAN) to drive plug down
- 5) Fasten button head screw (Maximum torque 22 ft x lbf)

* Substitute a narrow punch tool at installer's risk



General Description:

The R-8226-FL Bike Rack is composed of carbon steel and offers dependable security and accessibility. U-lock compatible with two-point bike frame contact. Finished with a durable powder coating to protect from corrosion and wear. Bolt-down flange for easy installation on existing concrete surfaces. Select from 1 of 6 custom colors.

Specifications:

Height: 35 1/2"

Cross Span: 27"

Weight: 21 lbs

Material: Steel

Finish Options:

- ✓ Polyester Powdercoated

See Reliance Foundry's standard color options at www.reliance-foundry.com/bollard/colors-bollards

Notes:

- Embedment details are for reference illustration only. Minimum foundation sizes depend on local soil conditions, weather conditions and engineering requirements.
- Bike rack is provided as shown with parts listed below. Concrete foundation and/or installation not provided by Reliance Foundry.
- This drawing is not drawn to scale. Dimensions provided herein are for reference only. Please consult Reliance Foundry sales professionals if any dimension is critical to your particular installation.
- Reliance Foundry reserves the right to amend design and specifications without prior notice for product improvement.

RELIANCE FOUNDRY
SINCE 1925

Unit 207, 6450 - 148 Street, Surrey, BC V3S 7G7, Canada
1-877-789-3245 info@reliance-foundry.com
www.reliance-foundry.com

TITLE

Bike Rack, R-8226-FL

SIZE
C

DWG NO
R8226FL

REV
C

COPYRIGHT RESERVED THIS PLAN DRAWING AND DESIGN ARE, AND AT ALL TIMES REMAIN, THE EXCLUSIVE PROPERTY OF RELIANCE FOUNDRY CO. LTD.

NOT TO SCALE

SHEET 1 OF 2

Bike Rack, R-8226-FL

Bike Rack Spacing

Spacing dimensions are only example suggestions and may not be suitable for specific locations. Dimensions do not account for walkways or other space considerations. Be sure to consult a design professional and any applicable municipal codes before installing.

General Description:

The R-8226-FL Bike Rack is composed of carbon steel and offers dependable security and accessibility. U-lock compatible with two-point bike frame contact. Finished with a durable powder coating to protect from corrosion and wear. Bolt-down flange for easy installation on existing concrete surfaces. Select from 1 of 6 custom colors.

Specifications:

Height: 35 1/2"

Cross Span: 27"

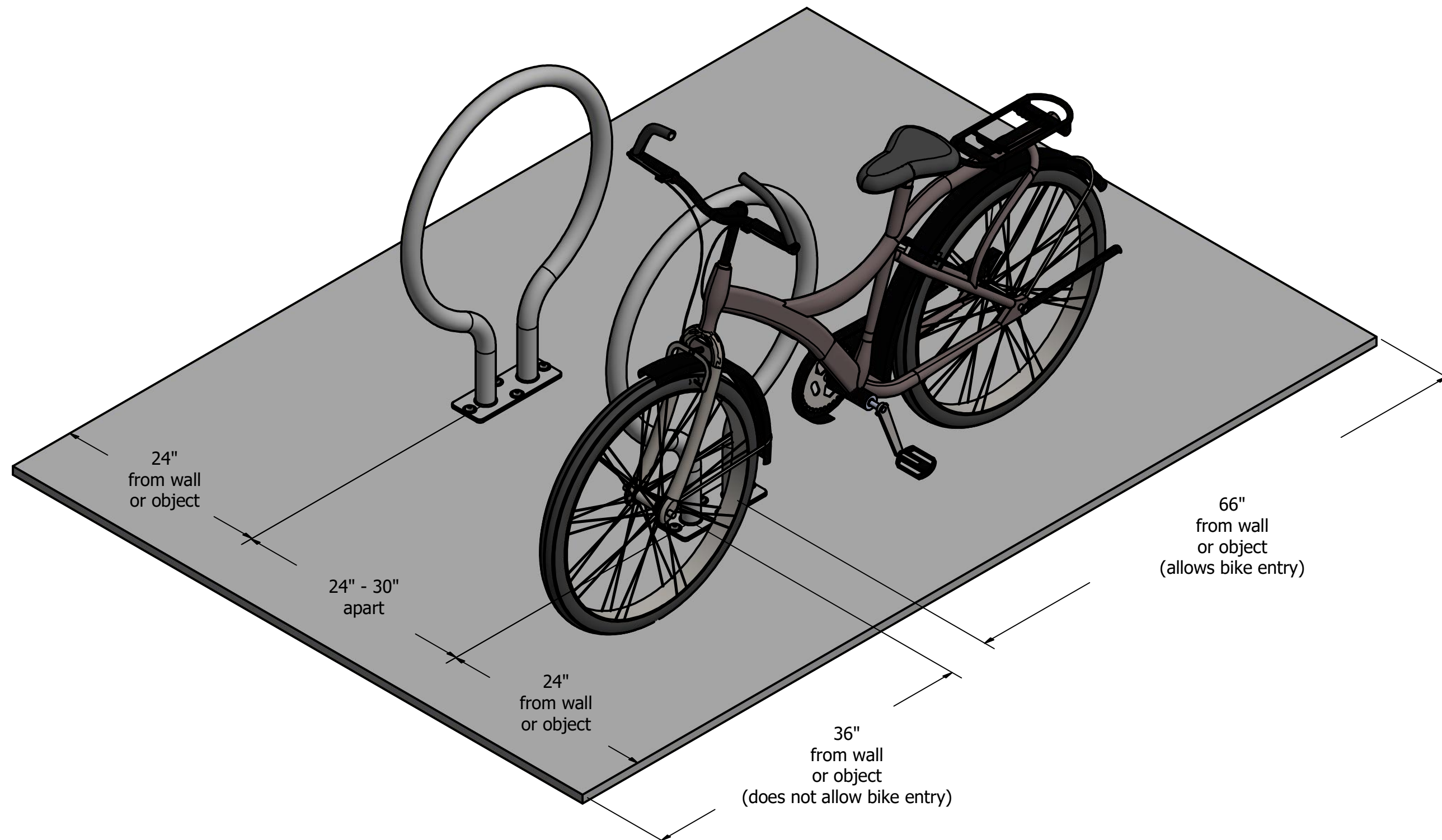
Weight: 21 lbs

Material: Steel

Finish Options:

✓ Polyester Powdercoated

See Reliance Foundry's standard color options at www.reliance-foundry.com/bollard/colors-bollards



RELIANCE FOUNDRY
SINCE 1925

Unit 207, 6450 - 148 Street, Surrey, BC V3S 7G7, Canada
1-877-789-3245 info@reliance-foundry.com
www.reliance-foundry.com

TITLE			
Bike Rack, R-8226-FL			
SIZE	DWG NO	REV	
C	R8226FL	C	
NOT TO SCALE		SHEET 2 OF 2	