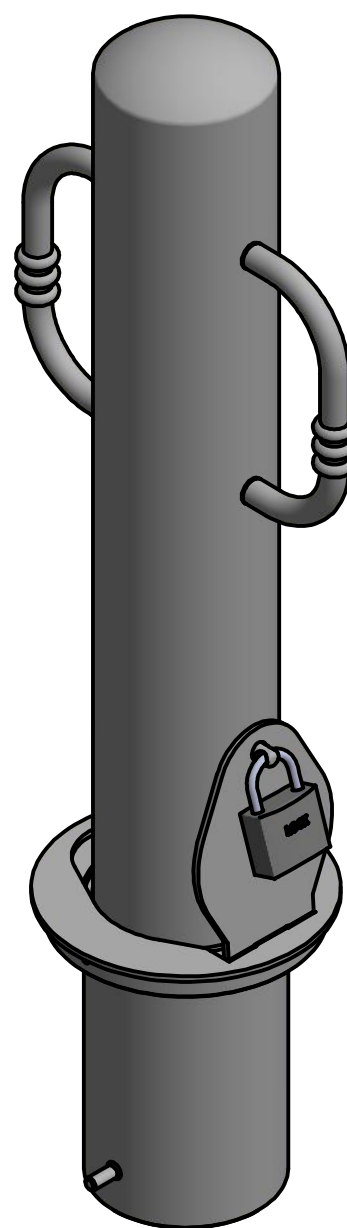
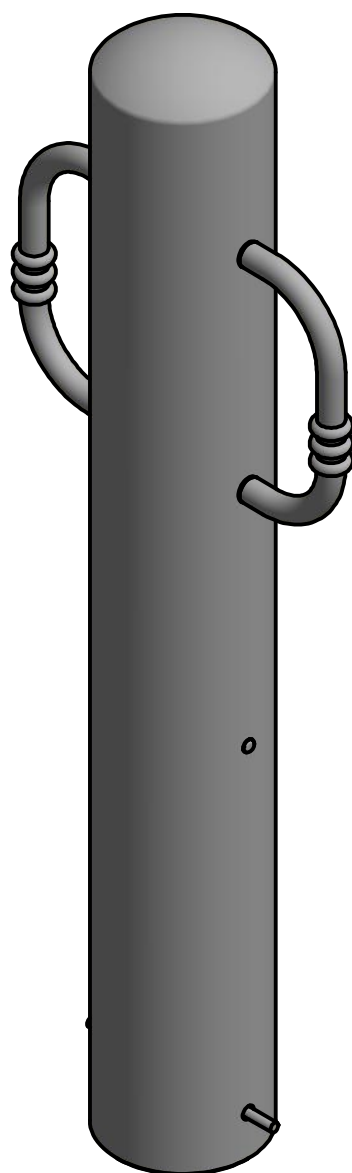


Bike Bollard R-7914 (RSA)

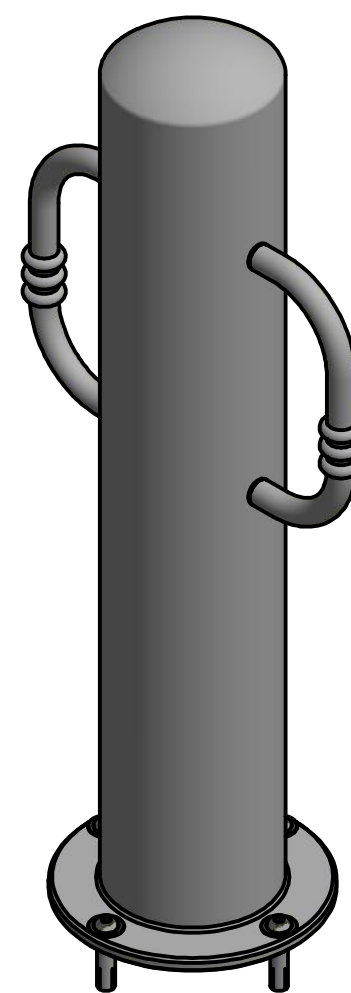
Removable Receiver with Lid
(for detail, see sheet 2 of 4)



Fixed Embedded Mount
(for detail, see sheet 3 of 4)



Flanged Surface Mount
(for detail, see sheet 4 of 4)



3 Available Mounting Options

General Description:

The R-7914 Bike Bollard offers versatile design and functionality. Bike-locking arms are bolted internally to ensure secure storage for cyclists. Locking arms can also be used to assist in removal and transport for removable applications. R-7914 Bike Bollards are made from carbon steel and powder coated in 1 of 6 custom colors. Select from a range of mounting options: bolt-down flange, in-ground embed, and removable mountings.

For more information on bollard post installation, please visit: www.reliance-foundry.com/bollard/installation-bollards

Specifications:

Height: 36" (Above Grade)

Base Diameter: 6 1/2"

Weight: 57 lbs (Bollard Post Full Length)

Material: Steel Body w/ Stainless Steel Bike Arms

Bollard Body Finish Options:

- Polyester Powdercoated
See Reliance Foundry's standard color options at www.reliance-foundry.com/bollard/colors-bollards

Bike Arm Finish Options:

- R-7914 Bike Arms Polyester Powdercoated
- R-7914-RSA Bike Arms Without Powdercoating

RELIANCE FOUNDRY
SINCE 1925

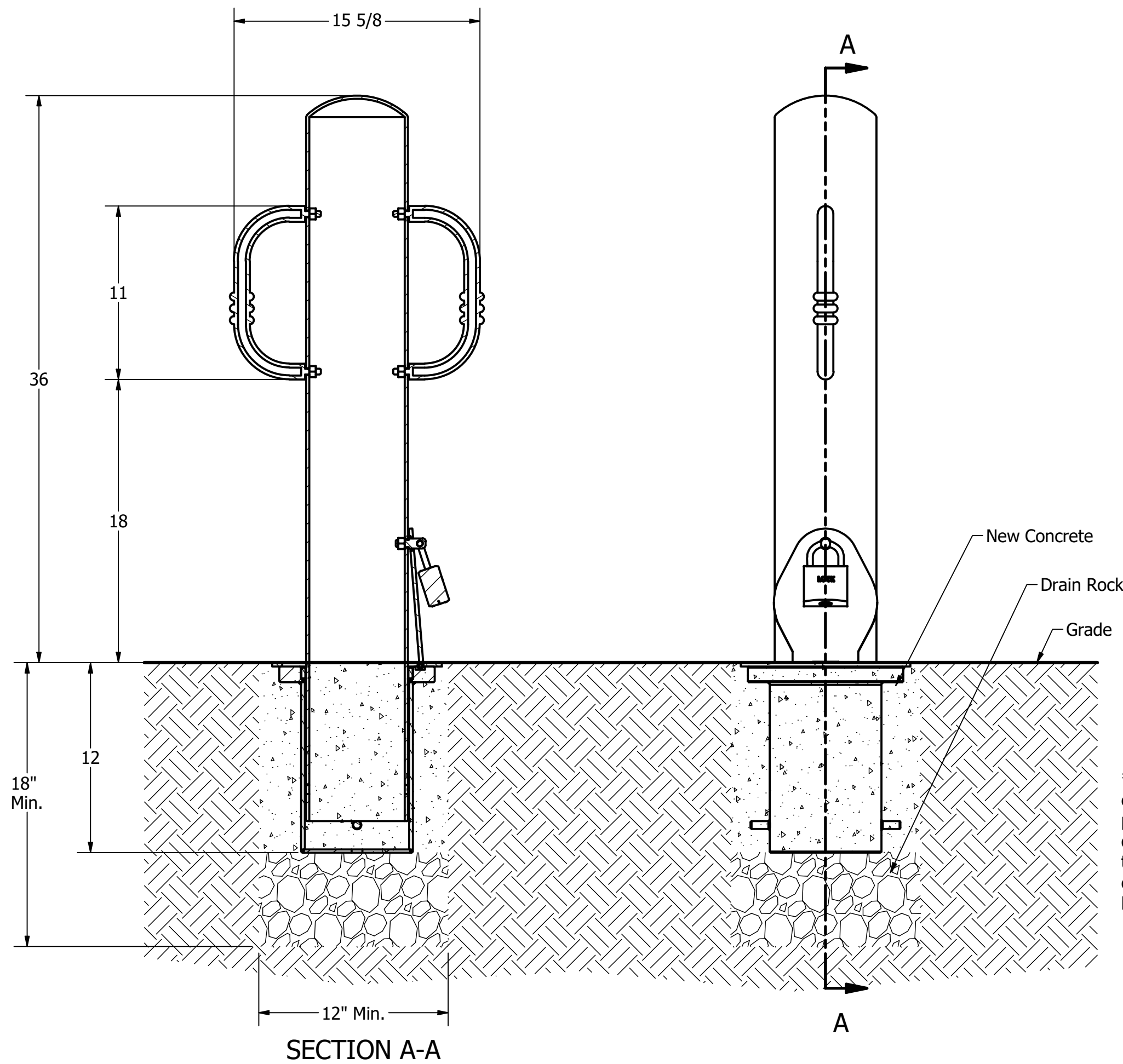
Unit 207, 6450 - 148 Street, Surrey, BC V3S 7G7, Canada
1-877-789-3245 info@reliance-foundry.com
www.reliance-foundry.com

TITLE

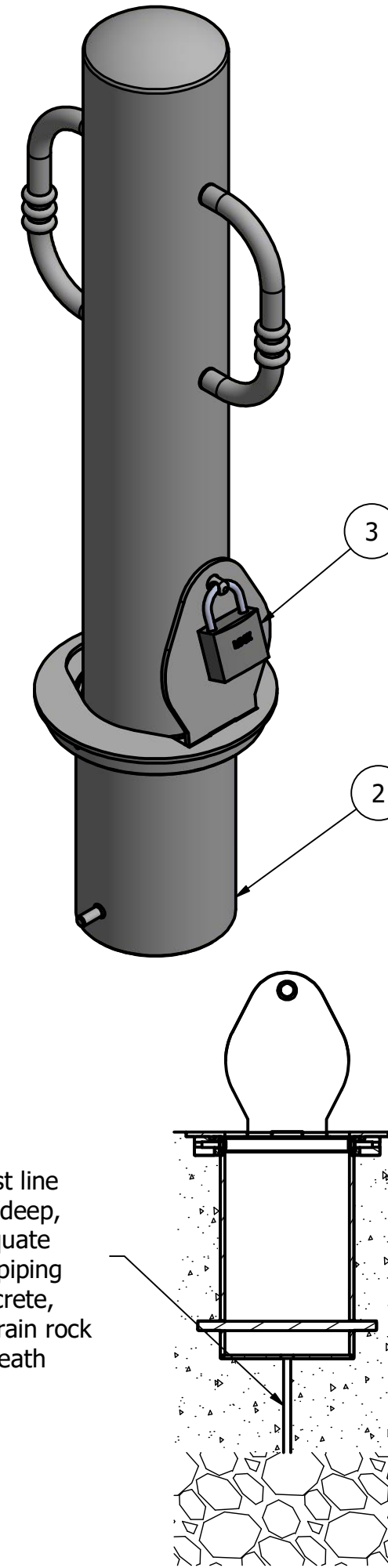
Bike Bollard R-7914 (RSA)

SIZE	DWG NO	REV
C	R-7914 (RSA)	C4

Bike Bollard R-7914 (RSA)



* If local frost line exceeds 12" deep, provide adequate drainage by piping through concrete, connect to drain rock layer underneath



General Description:

The R-7914 Bike Bollard offers versatile design and functionality. Bike-locking arms are bolted internally to ensure secure storage for cyclists. Locking arms can also be used to assist in removal and transport for removable applications. R-7914 Bike Bollards are made from carbon steel and powder coated in 1 of 6 custom colors. Select from a range of mounting options: bolt-down flange, in-ground embed, and removable mountings.

For more information on bollard post installation, please visit: www.reliance-foundry.com/bollard/installation-bollards

Specifications:

Height: 36" (Above Grade)

Base Diameter: 6 1/2"

Weight: 57 lbs (Bollard Post Full Length)

Material: Steel Body w/ Stainless Steel Bike Arms

Bollard Body Finish Options:

- Polyester Powdercoated
See Reliance Foundry's standard color options at www.reliance-foundry.com/bollard/colors-bollards

Bike Arm Finish Options:

- R-7914 Bike Arms Polyester Powdercoated
- R-7914-RSA Bike Arms Without Powdercoating

Mount Options:

- ✓ Removable Receiver with Lid (see sheet 2 of 4)
- Fixed Embedded Mount (see sheet 3 of 4)
- Flanged Surface Mount (see sheet 4 of 4)

Removable Receiver with Lid

Notes:

- Embedment details are for reference illustration only. Minimum foundation sizes depend on local soil conditions, weather conditions, and engineering requirements.
- Bollard post is provided as shown, with material detailed in legend below. Concrete, foundation and/or installation ordered separately or provided by others.
- This drawing is not drawn to scale. Dimensions provided herein is for reference only. Please consult Reliance Foundry sales professionals if any dimension is critical to your particular installation.
- Reliance Foundry reserves the right to amend design and specifications without prior notice for product improvement.

PARTS LIST					
ITEM	QTY	PART NUMBER	DESCRIPTION	MATERIAL	WEIGHT
1	1	R7914 Removable Bollard	R7914 Removable Bollard Assembly	Steel Body w/ 316 Stainless Steel Bike Arms	57 lbs
2	1	R7911R Receiver	R7911R Receiver Assembly w/ Lid	Galvanized Steel w/ 316 Stainless Steel Cover	36 lbs
3	1	Padlock (Optional)	Optional Padlock (Brass or Stainless Steel)	Choice of Brass or Stainless Steel	5/8 lbs

RELIANCE FOUNDRY
SINCE 1925

Unit 207, 6450 - 148 Street, Surrey, BC V3S 7G7, Canada
1-877-789-3245 info@reliance-foundry.com
www.reliance-foundry.com

TITLE

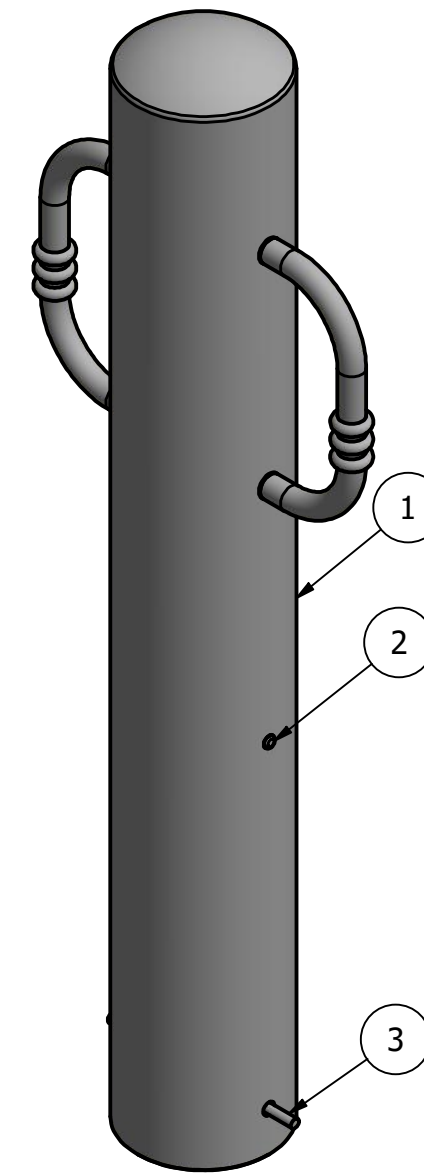
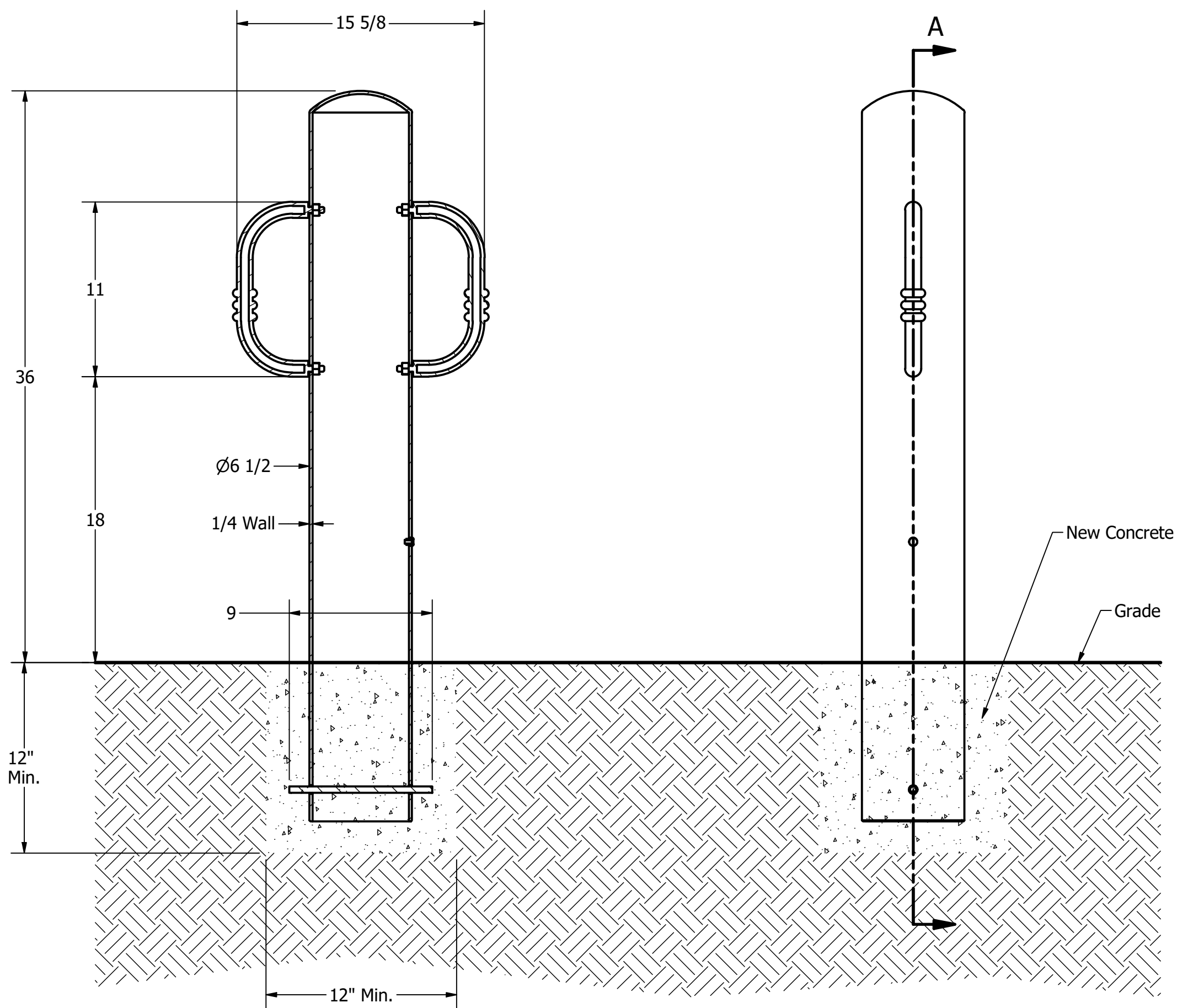
Bike Bollard R-7914 (RSA)

SIZE
C

DWG NO
R-7914 (RSA)

REV
C4

Bike Bollard R-7914 (RSA)



General Description:

The R-7914 Bike Bollard offers versatile design and functionality. Bike-locking arms are bolted internally to ensure secure storage for cyclists. Locking arms can also be used to assist in removal and transport for removable applications. R-7914 Bike Bollards are made from carbon steel and powder coated in 1 of 6 custom colors. Select from a range of mounting options: bolt-down flange, in-ground embed, and removable mountings.

For more information on bollard post installation, please visit: www.reliance-foundry.com/bollard/installation-bollards

Specifications:

Height: 36" (Above Grade)

Base Diameter: 6 1/2"

Weight: 57 lbs (Bollard Post Full Length)

Material: Steel Body w/ Stainless Steel Bike Arms

Bollard Body Finish Options:

- Polyester Powdercoated
See Reliance Foundry's standard color options at www.reliance-foundry.com/bollard/colors-bollards

Bike Arm Finish Options:

- R-7914 Bike Arms Polyester Powdercoated
- R-7914-RSA Bike Arms Without Powdercoating

Mount Options:

- Removable Receiver with Lid (see sheet 2 of 4)
- Fixed Embedded Mount (see sheet 3 of 4)
- Flanged Surface Mount (see sheet 4 of 4)

Fixed Installation in New Concrete

Notes:

- Embedment details are for reference illustration only. Minimum foundation sizes depend on local soil conditions, weather conditions, and engineering requirements.
- Bollard post is provided as shown, with material detailed in legend below. Concrete, foundation and/or installation ordered separately or provided by others.
- This drawing is not drawn to scale. Dimensions provided herein is for reference only. Please consult Reliance Foundry sales professionals if any dimension is critical to your particular installation.
- Reliance Foundry reserves the right to amend design and specifications without prior notice for product improvement.

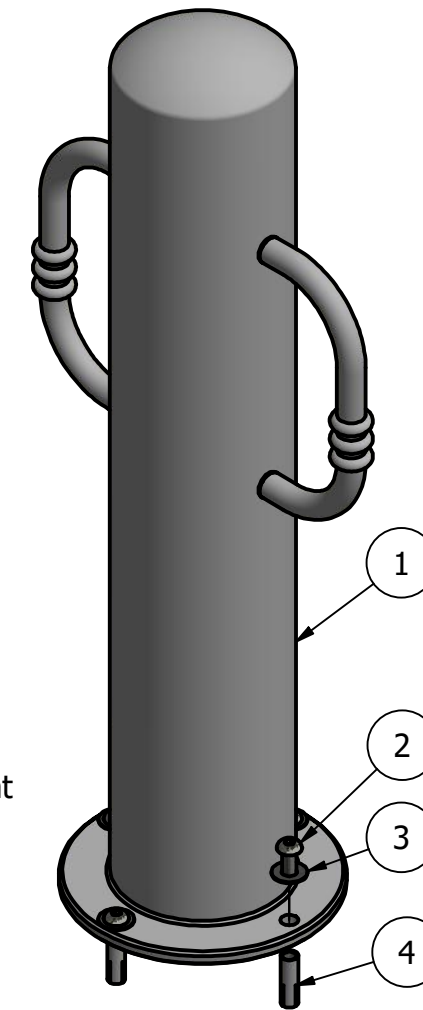
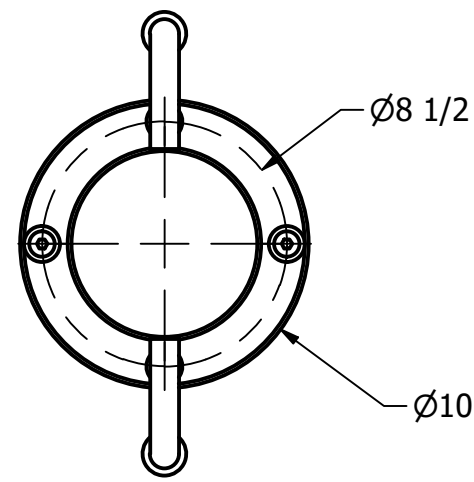
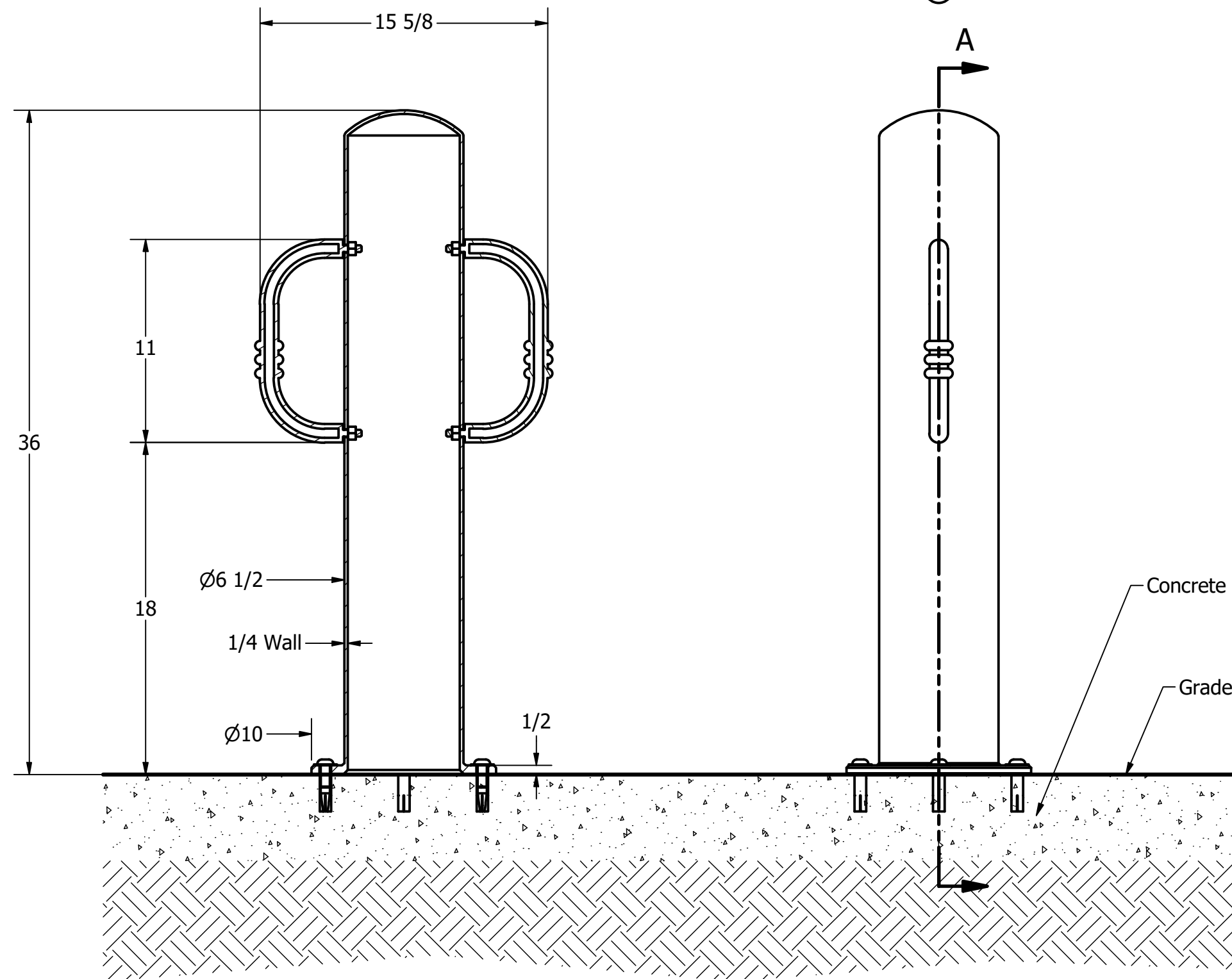
PARTS LIST					
ITEM	QTY	PART NUMBER	DESCRIPTION	MATERIAL	WEIGHT
1	1	R7914 Fixed Bollard	R7914 Fixed Bollard Assembly	Steel Body w/ 316 Stainless Steel Bike Arms	57 lbs
2	1	Polyethylene Plug 1/2"	Polyethylene Plug 1/2"	Polyethylene Plastic	
3	1	Steel Rebar	Steel Rebar 10 mm x 9"	Steel Epoxy Coated	1/2 lbs

RELIANCE FOUNDRY
— SINCE 1925 —

Unit 207, 6450 - 148 Street, Surrey, BC V3S 7G7, Canada
1-877-789-3245 info@reliance-foundry.com
www.reliance-foundry.com

TITLE			
Bike Bollard R-7914 (RSA)			
SIZE	DWG NO	REV	
C	R-7914 (RSA)	C4	

Bike Bollard R-7914 (RSA)



SECTION A-A

A

Flanged / Surface Mount

Notes:

- Embedment details are for reference illustration only. Minimum foundation sizes depend on local soil conditions, weather conditions, and engineering requirements.
- Bollard post is provided as shown, with material detailed in legend below. Concrete, foundation and/or installation ordered separately or provided by others.
- This drawing is not drawn to scale. Dimensions provided herein is for reference only. Please consult Reliance Foundry sales professionals if any dimension is critical to your particular installation.
- Reliance Foundry reserves the right to amend design and specifications without prior notice for product improvement.

General Description:

The R-7914 Bike Bollard offers versatile design and functionality. Bike-locking arms are bolted internally to ensure secure storage for cyclists. Locking arms can also be used to assist in removal and transport for removable applications. R-7914 Bike Bollards are made from carbon steel and powder coated in 1 of 6 custom colors. Select from a range of mounting options: bolt-down flange, in-ground embed, and removable mountings.

For more information on bollard post installation, please visit: www.reliance-foundry.com/bollard/installation-bollards

Specifications:

Height: 36" (Above Grade)

Base Diameter: 6 1/2"

Weight: 57 lbs (Bollard Post Full Length)

Material: Steel Body w/ Stainless Steel Bike Arms

Bollard Body Finish Options:

- Polyester Powdercoated
See Reliance Foundry's standard color options at www.reliance-foundry.com/bollard/colors-bollards

Bike Arm Finish Options:

- R-7914 Bike Arms Polyester Powdercoated
- R-7914-RSA Bike Arms Without Powdercoating

Mount Options:

- Removable Receiver with Lid (see sheet 2 of 4)
- Fixed Embedded Mount (see sheet 3 of 4)
- ✓ Flanged Surface Mount (see sheet 4 of 4)

RELIANCE FOUNDRY
SINCE 1925

Unit 207, 6450 - 148 Street, Surrey, BC V3S 7G7, Canada
1-877-789-3245 info@reliance-foundry.com
www.reliance-foundry.com

TITLE

Bike Bollard R-7914 (RSA)

SIZE
C

DWG NO
R-7914 (RSA)

REV
C4

PARTS LIST					
ITEM	QTY	PART NUMBER	DESCRIPTION	MATERIAL	WEIGHT
1	1	R7914 Flanged Bollard	R7914 Flanged Bollard Assembly	Steel Body w/ 316 Stainless Steel Bike Arms	53 lbs
2	4	Button Head Bolt 1/2" x 1 1/4"	Hexagon Socket Button Head Cap Bolt 1/2" x 1 1/4" - requires 5/16" hex key	Stainless Steel	1/8 lbs
3	4	Stainless Steel Washer 1/2"	Stainless Steel Washer 1/2" OD 1 1/4" Thick .05"	Stainless Steel	
4	4	Drop-in Concrete Insert 1/2"	Drop-in Concrete Insert 1/2" - requires 5/8" x 2" hole (dia. x depth)	Steel Plated	1/8 lbs

COPYRIGHT RESERVED THIS PLAN DRAWING AND DESIGN ARE, AND AT ALL TIMES REMAIN, THE EXCLUSIVE PROPERTY OF RELIANCE FOUNDRY CO. LTD.

NOT TO SCALE

SHEET 4 OF 4