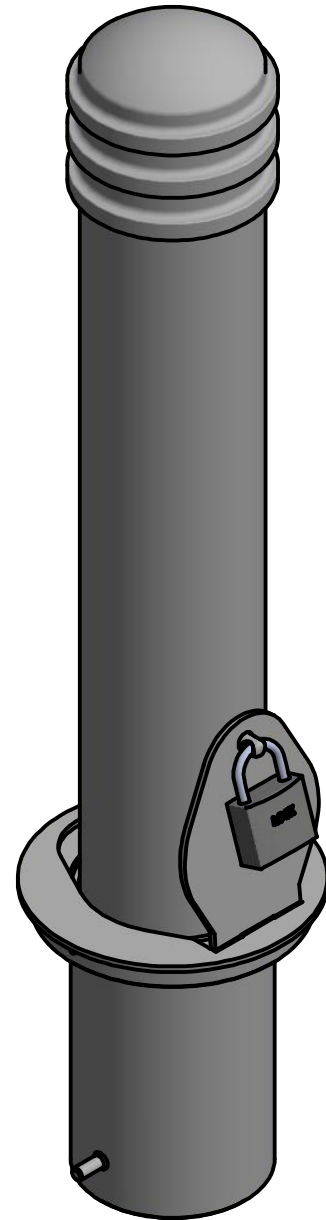
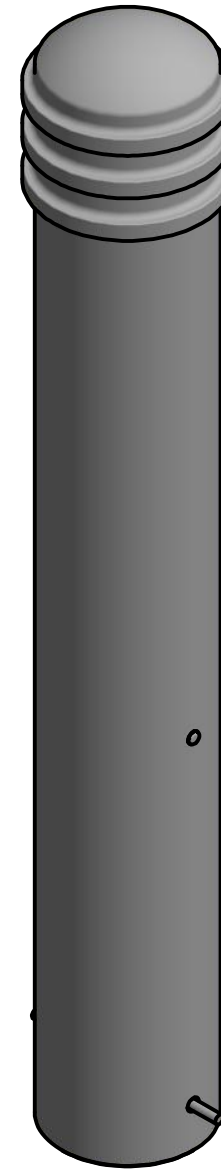


Bollard R-7911

Removable Receiver with Lid
(for detail, see sheet 2 of 4)



Fixed Embedded Mount
(for detail, see sheet 3 of 4)



2 Available Mounting Options

General Description:

Clearly communicate intended routes and access restrictions with the model R-7911 steel bollard from Reliance Foundry. Composed of carbon steel and finished with durable powder-coating, the R-7911 features a clean, versatile design that is suitable for any site location. The wider 6-1/2" diameter provides a greater visual barrier as well as added physical strength. Select from fixed and removable mounting options to permanently cordon off an area or allow temporary access to maintenance, delivery, or emergency vehicles. Powder-coating is available in 6 different colors. The R-7911 bollard is kept in stock in black and yellow, available for immediate shipment. Other colors may be custom ordered with no additional charge.

For more information on bollard post installation, please visit:
www.reliance-foundry.com/bollard/installation-bollards

Specifications:

Height: 36" (Above Grade)

Base Diameter: 6 1/2"

Weight: 58 lbs

Material: Steel

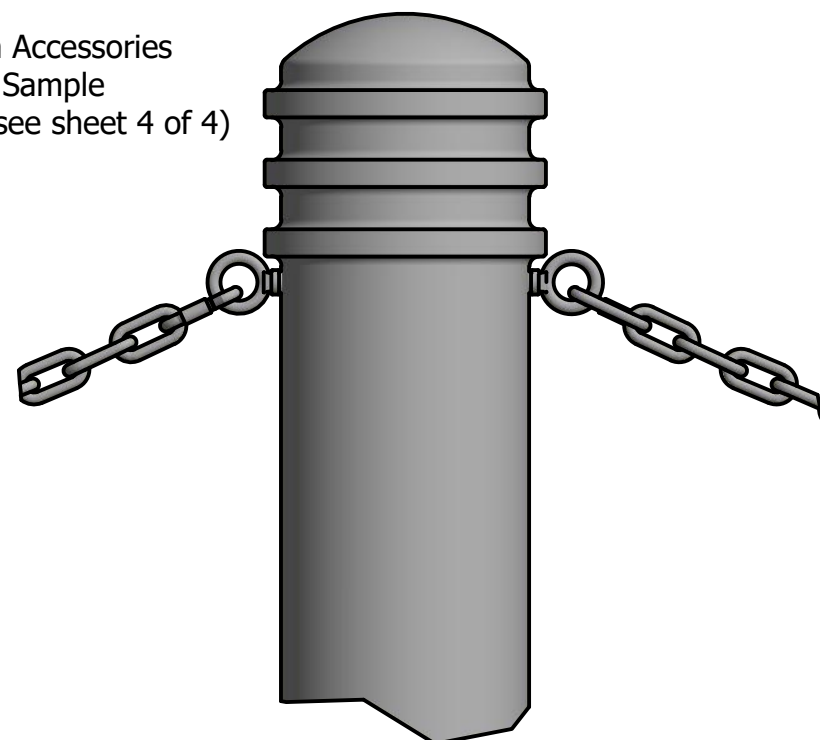
Finish Options:

- ✓ Polyester Powdercoated

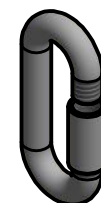
See Reliance Foundry's standard color options at
www.reliance-foundry.com/bollard/colors-bollards

Optional Chain Accessories Available

5/16" Chain Accessories Installation Sample
(for detail, see sheet 4 of 4)



Chain Eye 3/8"
(Powder Coated)



Quick Link Connector
(Powder Coated)



Bollard Chain 5/16"
(Powder Coated)

RELIANCE FOUNDRY
SINCE 1925

Unit 207, 6450 - 148 Street, Surrey, BC V3S 7G7, Canada
1-877-789-3245 info@reliance-foundry.com
www.reliance-foundry.com

TITLE

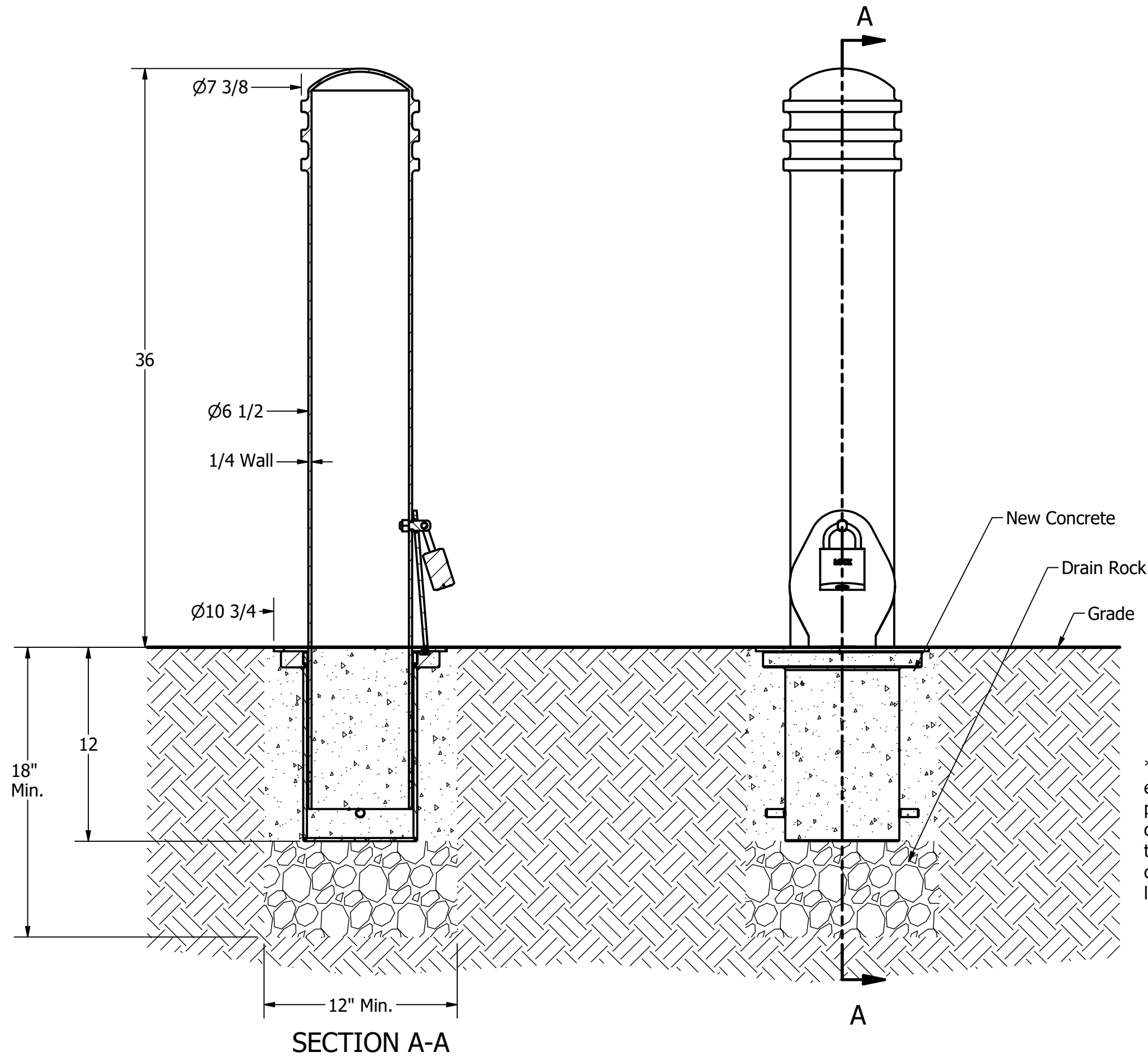
Bollard R-7911

SIZE
C

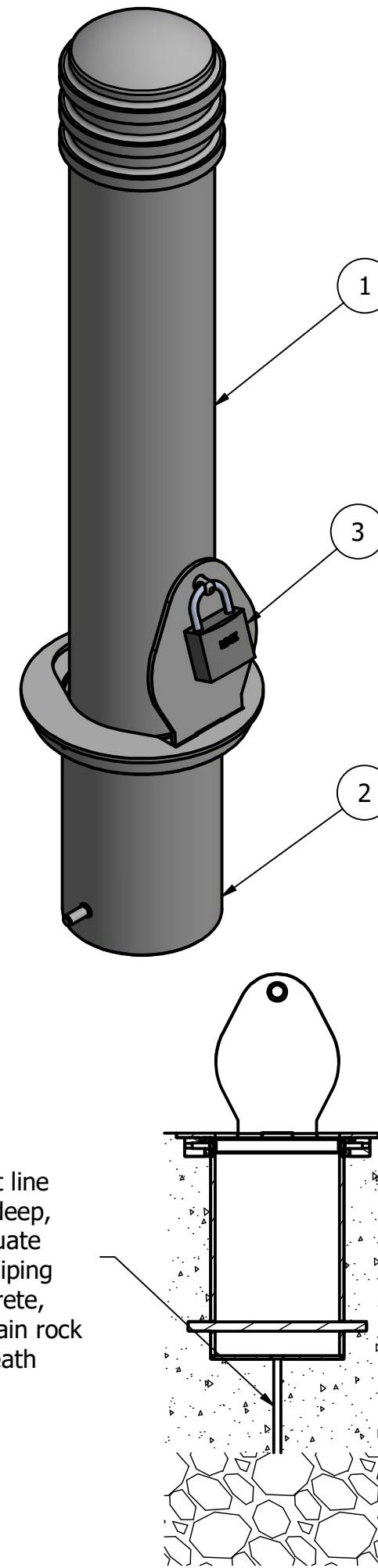
DWG NO
R-7911

REV
C3

Bollard R-7911



* If local frost line exceeds 12" deep, provide adequate drainage by piping through concrete, connect to drain rock layer underneath



General Description:

Clearly communicate intended routes and access restrictions with the model R-7911 steel bollard from Reliance Foundry. Composed of carbon steel and finished with durable powder-coating, the R-7911 features a clean, versatile design that is suitable for any site location. The wider 6-1/2" diameter provides a greater visual barrier as well as added physical strength. Select from fixed and removable mounting options to permanently cordon off an area or allow temporary access to maintenance, delivery, or emergency vehicles. Powder-coating is available in 6 different colors. The R-7911 bollard is kept in stock in black and yellow, available for immediate shipment. Other colors may be custom ordered with no additional charge.

For more information on bollard post installation, please visit: www.reliance-foundry.com/bollard/installation-bollards

Specifications:

Height: 36" (Above Grade)
 Base Diameter: 6 1/2"
 Weight: 58 lbs
 Material: Steel

Finish Options:

- ✓ Polyester Powdercoated
- See Reliance Foundry's standard color options at www.reliance-foundry.com/bollard/colors-bollards

Mount Options:

- ✓ Removable Receiver with Lid (see sheet 2 of 4)
- Fixed Embedded Mount (see sheet 3 of 4)
- Optional Chain Accessory (see sheet 4 of 4)

Removable Receiver with Lid

(For important detail regarding installation with *OPTIONAL* bollard chain accessories, refer to sheet 4 of 4)

Notes:

- Embedment details are for reference illustration only. Minimum foundation sizes depend on local soil conditions, weather conditions, and engineering requirements.
- Bollard post is provided as shown, with material detailed in legend below. Concrete, foundation and/or installation ordered separately or provided by others.
- This drawing is not drawn to scale. Dimensions provided herein is for reference only. Please consult Reliance Foundry sales professionals if any dimension is critical to your particular installation.
- Reliance Foundry reserves the right to amend design and specifications without prior notice for product improvement.

PARTS LIST					
ITEM	QTY	PART NUMBER	DESCRIPTION	MATERIAL	WEIGHT
1	1	R7911 Removable Bollard	R7911 Removable Bollard Assembly	Steel Powder Coated	58 lbs
2	1	R7911R Receiver	R7911R Receiver Assembly w/ Lid	Galvanized Steel w/ 316 Stainless Steel Cover	36 lbs
3	1	Padlock (Optional)	Optional Padlock (Brass or Stainless Steel)	Choice of Brass or Stainless Steel	5/8 lbs

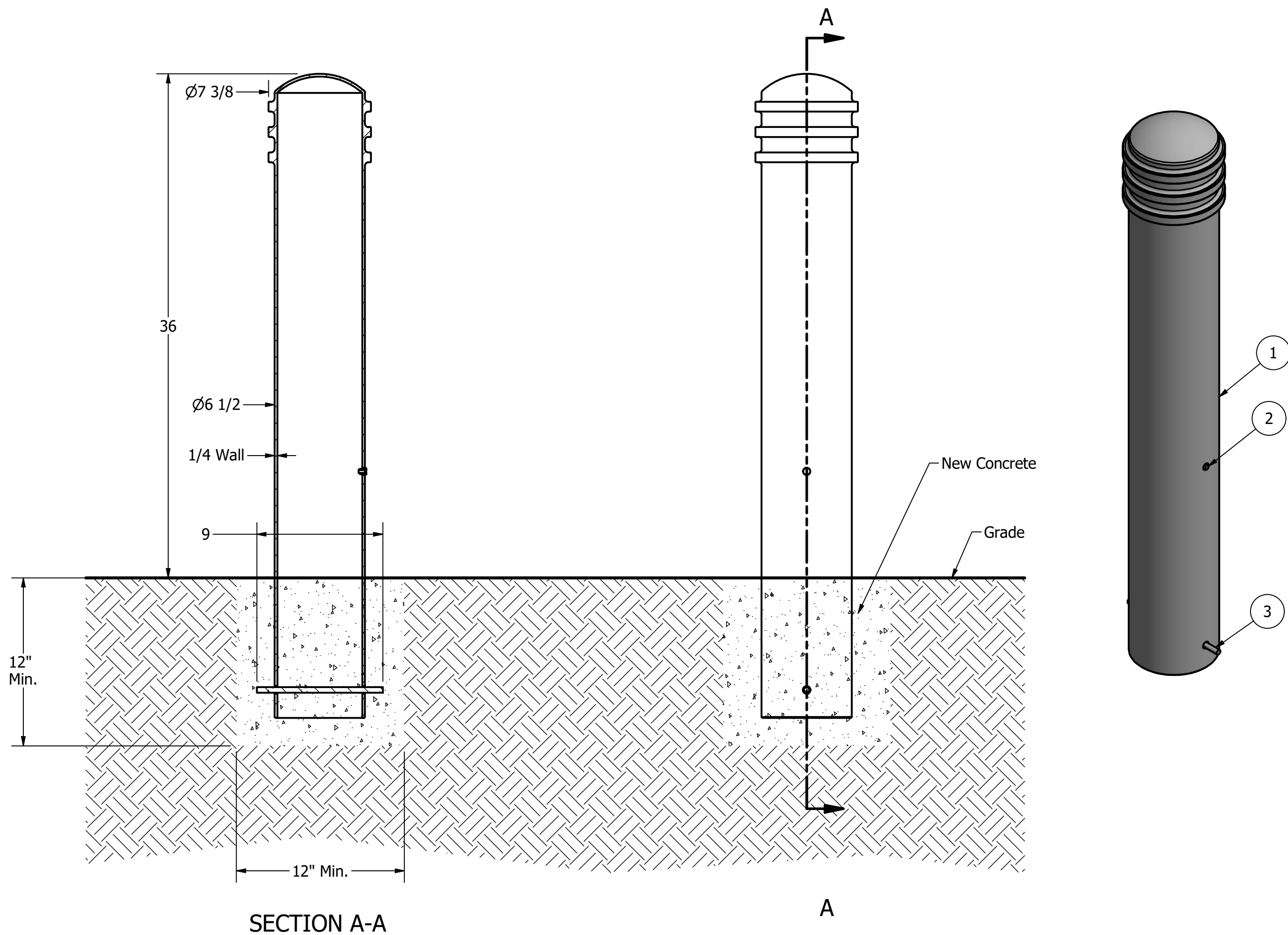
RELIANCE FOUNDRY
 SINCE 1925

Unit 207, 6450 - 148 Street, Surrey, BC V3S 7G7, Canada
 1-877-789-3245 info@reliance-foundry.com
www.reliance-foundry.com

Bollard R-7911

SIZE	DWG NO	REV
C	R-7911	C3

Bollard R-7911



Fixed Installation in New Concrete

Notes:

- Embedment details are for reference illustration only. Minimum foundation sizes depend on local soil conditions, weather conditions, and engineering requirements.
- Bollard post is provided as shown, with material detailed in legend below. Concrete, foundation and/or installation ordered separately or provided by others.
- This drawing is not drawn to scale. Dimensions provided herein is for reference only. Please consult Reliance Foundry sales professionals if any dimension is critical to your particular installation.
- Reliance Foundry reserves the right to amend design and specifications without prior notice for product improvement.

PARTS LIST					
ITEM	QTY	PART NUMBER	DESCRIPTION	MATERIAL	WEIGHT
1	1	R7911 Fixed Bollard	R7911 Fixed Bollard Body	Steel Powder Coated	58 lbs
2	1	Polyethylene Plug 1/2"	Polyethylene Plug 1/2"	Polyethylene Plastic	
3	1	Steel Rebar	Steel Rebar 10 mm x 9"	Steel Epoxy Coated	1/2 lbs

General Description:

Clearly communicate intended routes and access restrictions with the model R-7911 steel bollard from Reliance Foundry. Composed of carbon steel and finished with durable powder-coating, the R-7911 features a clean, versatile design that is suitable for any site location. The wider 6-1/2" diameter provides a greater visual barrier as well as added physical strength. Select from fixed and removable mounting options to permanently cordon off an area or allow temporary access to maintenance, delivery, or emergency vehicles. Powder-coating is available in 6 different colors. The R-7911 bollard is kept in stock in black and yellow, available for immediate shipment. Other colors may be custom ordered with no additional charge.

For more information on bollard post installation, please visit: www.reliance-foundry.com/bollard/installation-bollards

Specifications:

Height: 36" (Above Grade)

Base Diameter: 6 1/2"

Weight: 58 lbs

Material: Steel

Finish Options:

- ✓ Polyester Powdercoated
- See Reliance Foundry's standard color options at www.reliance-foundry.com/bollard/colors-bollards

Mount Options:

- Removable Receiver with Lid (see sheet 2 of 4)
- ✓ Fixed Embedded Mount (see sheet 3 of 4)
- Optional Chain Accessory (see sheet 4 of 4)

RELIANCE FOUNDRY
SINCE 1925

Unit 207, 6450 - 148 Street, Surrey, BC V3S 7G7, Canada
1-877-789-3245 info@reliance-foundry.com
www.reliance-foundry.com

TITLE

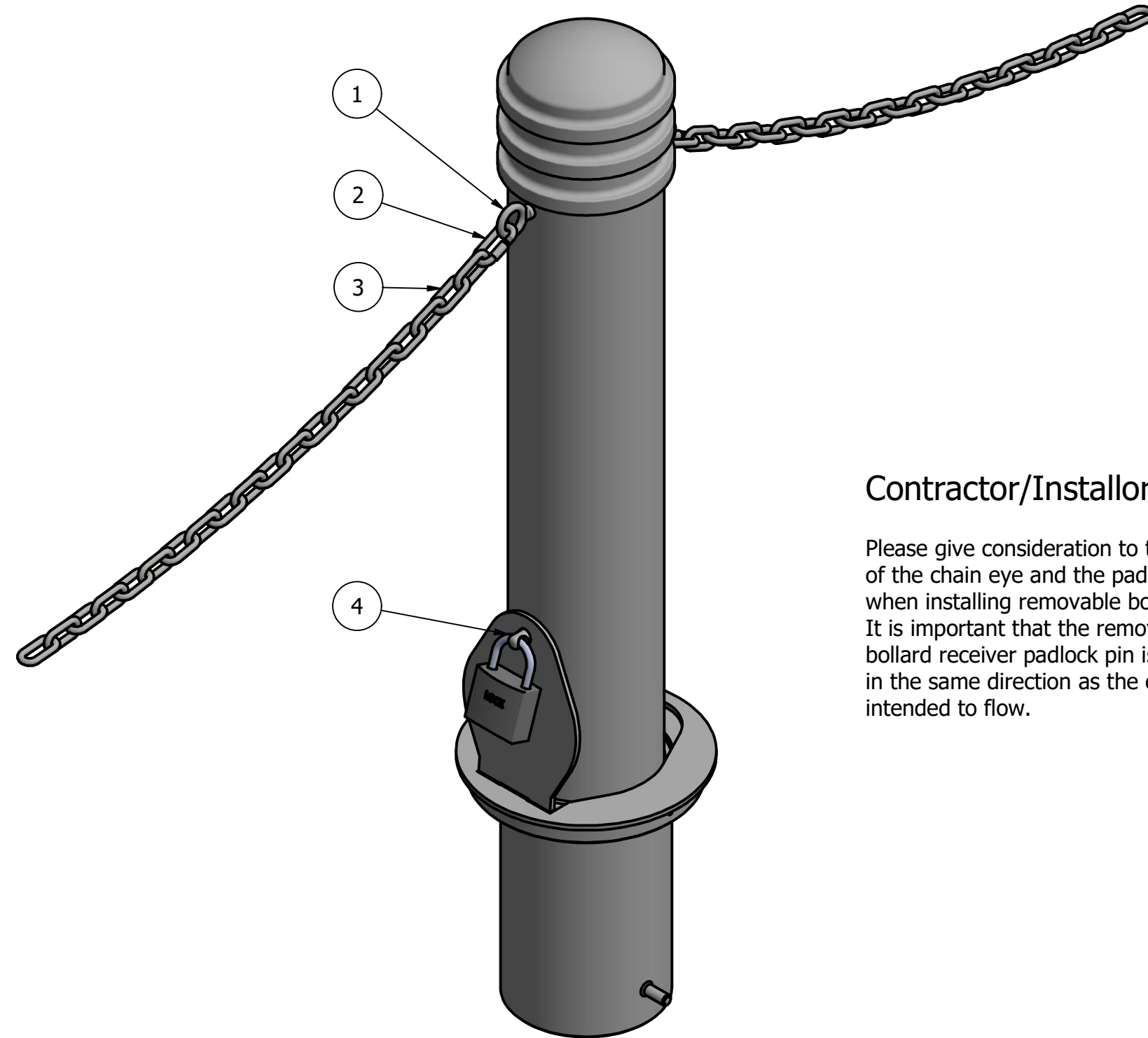
Bollard R-7911

SIZE
C

DWG NO
R-7911

REV
C3

Bollard R-7911



Contractor/Installor Alert:

Please give consideration to the location of the chain eye and the padlock pin when installing removable bollard receiver. It is important that the removable bollard receiver padlock pin is oriented in the same direction as the chain is intended to flow.

General Description:

Clearly communicate intended routes and access restrictions with the model R-7911 steel bollard from Reliance Foundry. Composed of carbon steel and finished with durable powder-coating, the R-7911 features a clean, versatile design that is suitable for any site location. The wider 6-1/2" diameter provides a greater visual barrier as well as added physical strength. Select from fixed and removable mounting options to permanently cordon off an area or allow temporary access to maintenance, delivery, or emergency vehicles. Powder-coating is available in 6 different colors. The R-7911 bollard is kept in stock in black and yellow, available for immediate shipment. Other colors may be custom ordered with no additional charge.

For more information on bollard post installation, please visit: www.reliance-foundry.com/bollard/installation-bollards

Specifications:

Height: 36" (Above Grade)

Base Diameter: 6 1/2"

Weight: 58 lbs

Material: Steel

Finish Options:

- ✓ Polyester Powdercoated
- See Reliance Foundry's standard color options at www.reliance-foundry.com/bollard/colors-bollards

Mount Options:

- Removable Receiver with Lid (see sheet 2 of 4)
- Fixed Embedded Mount (see sheet 3 of 4)
- ✓ Optional Chain Accessory (see sheet 4 of 4)

Optional Chain Accessories Installation Details

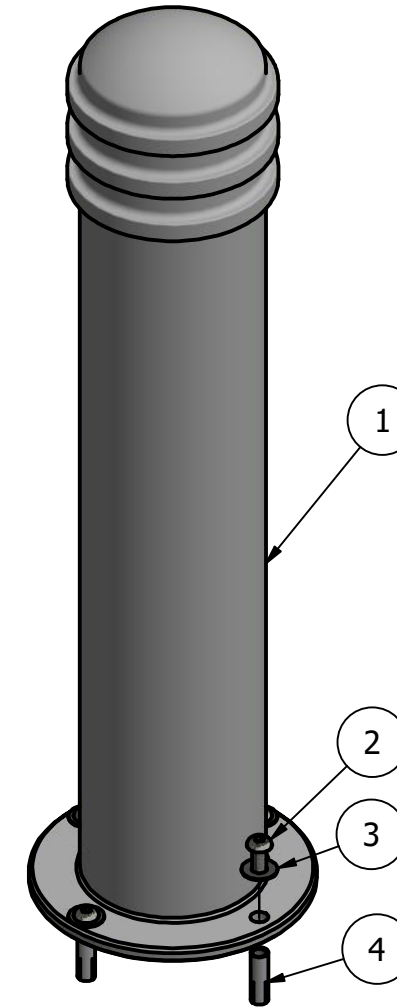
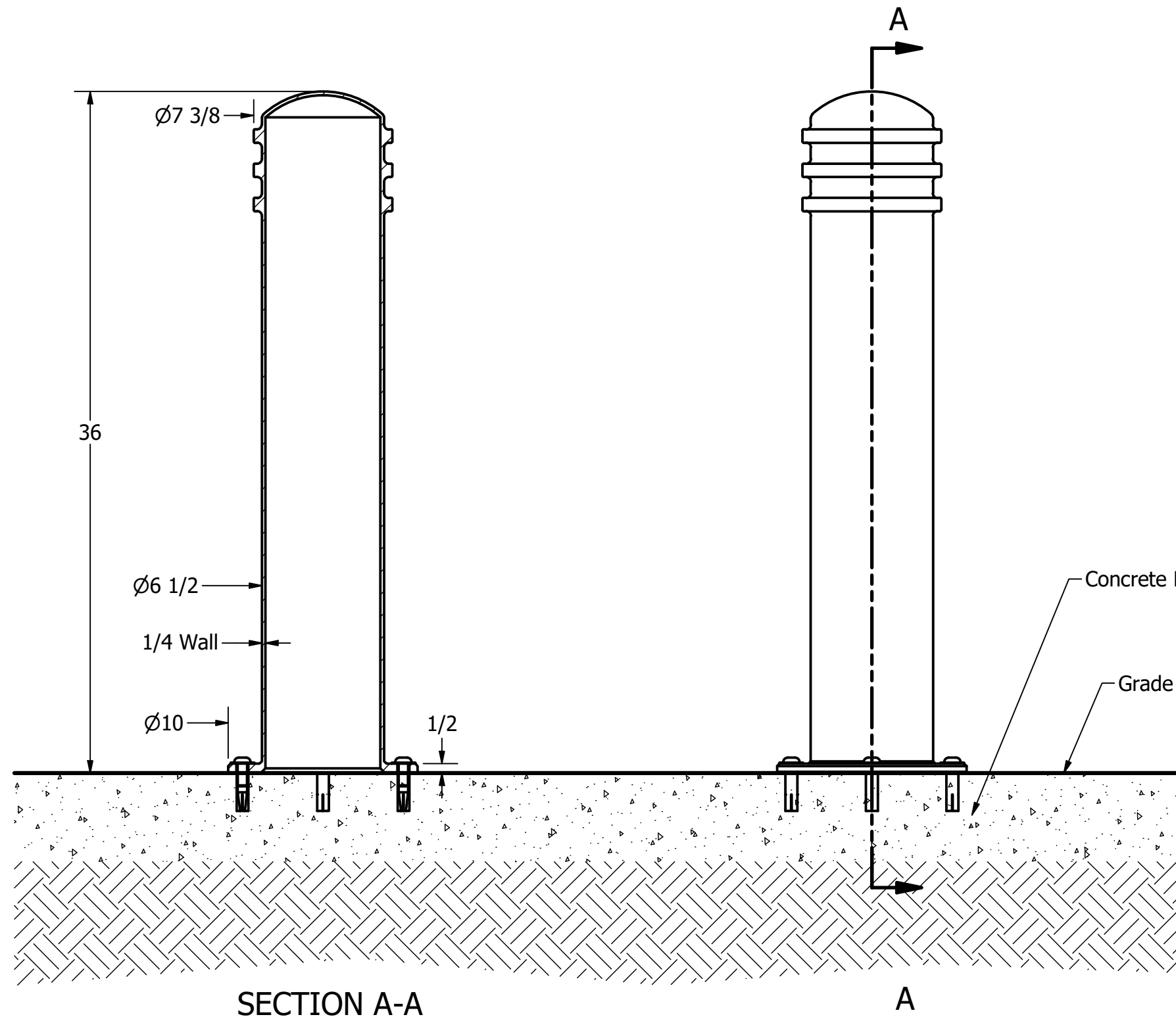
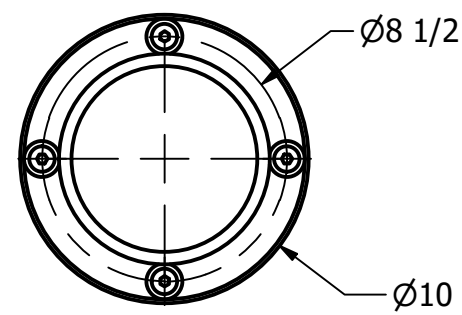
PARTS LIST			
ITEM	PART NUMBER	DESCRIPTION	MATERIAL
1	Chain Eye 3/8" (Optional)	Optional Chain Eye 3/8"	Steel Powder Coated
2	Quick Link Connector (Optional)	Optional Quick Link Connector	Steel Powder Coated
3	Chain 5/16" (Optional)	Optional Chain 5/16" (Sold by Length)	Steel Powder Coated
4	Padlock (Optional)	Optional Padlock (Brass or Stainless Steel)	Choice of Brass or Stainless Steel

RELIANCE FOUNDRY
SINCE 1925

Unit 207, 6450 - 148 Street, Surrey, BC V3S 7G7, Canada
1-877-789-3245 info@reliance-foundry.com
www.reliance-foundry.com

TITLE			
Bollard R-7911			
SIZE	DWG NO	REV	
C	R-7911	C3	

Bollard R-7911-FL



General Description:

Clearly communicate intended routes and access restrictions with the model R-7911-FL steel bollard from Reliance Foundry. Composed of carbon steel and finished with durable powder-coating, the R-7911-FL features a clean, versatile design that is suitable for any site location. The wider 6-1/2" diameter provides a greater visual barrier as well as added physical strength. Use the flanged surface mounting for easy installation on an existing surface. Powder-coating is available in 6 different colors. The R-7911-FL bollard is kept in stock in black and yellow, available for immediate shipment. Other colors may be custom ordered with no additional charge.

For more information on bollard post installation, please visit: www.reliance-foundry.com/bollard/installation-bollards

Specifications:

Height: 36"

Base Diameter: 6 1/2"

Weight: 54 lbs

Material: Steel

Finish Options:

✓ Polyester Powdercoated

See Reliance Foundry's standard color options at www.reliance-foundry.com/bollard/colors-bollards

Notes:

- Embedment details are for reference illustration only. Minimum foundation sizes depend on local soil conditions, weather conditions, and engineering requirements.
- Bollard post is provided as shown, with material detailed in legend below. Concrete, foundation and/or installation ordered separately or provided by others.
- This drawing is not drawn to scale. Dimensions provided herein is for reference only. Please consult Reliance Foundry sales professionals if any dimension is critical to your particular installation.
- Reliance Foundry reserves the right to amend design and specifications without prior notice for product improvement.

PARTS LIST

ITEM	QTY	PART NUMBER	DESCRIPTION	MATERIAL	WEIGHT
1	1	R7911FL Flanged Bollard	R7911FL Flanged Bollard Body	Steel Powder Coated	54 lbs
2	4	Button Head Bolt 1/2" x 1 1/4"	Hexagon Socket Button Head Cap Bolt 1/2" x 1 1/4" - requires 5/16" hex key	Stainless Steel	1/8 lbs
3	4	Stainless Steel Washer 1/2"	Stainless Steel Washer 1/2" OD 1 1/4" Thick .05"	Stainless Steel	
4	4	Drop-in Concrete Insert 1/2"	Drop-in Concrete Insert 1/2" - requires 5/8" x 2" hole (dia. x depth)	Steel Plated	1/8 lbs

RELIANCE FOUNDRY
SINCE 1925

Unit 207, 6450 - 148 Street, Surrey, BC V3S 7G7, Canada
1-877-789-3245 info@reliance-foundry.com
www.reliance-foundry.com

TITLE

Bollard R-7911-FL

SIZE
C

DWG NO
R-7911-FL

REV
C3

COPYRIGHT RESERVED THIS PLAN DRAWING AND DESIGN ARE, AND AT ALL TIMES REMAIN, THE EXCLUSIVE PROPERTY OF RELIANCE FOUNDRY CO. LTD.

NOT TO SCALE

SHEET 1 OF 1