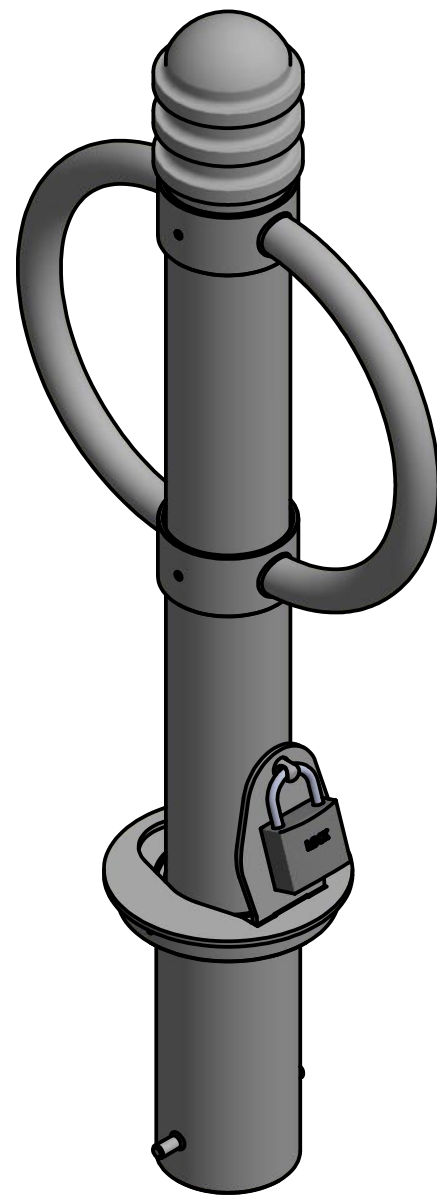
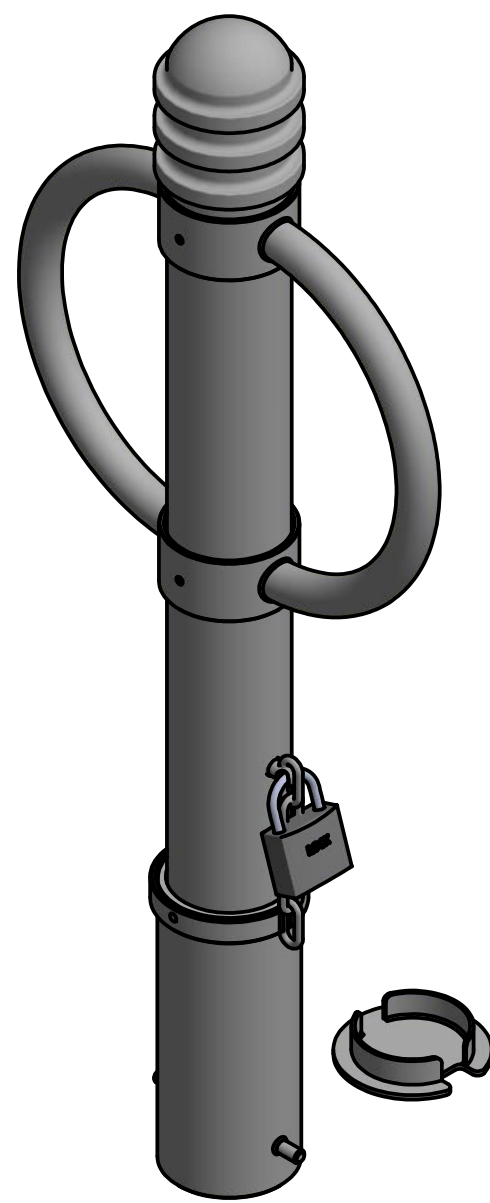


Bike Bollard, Model R-7905

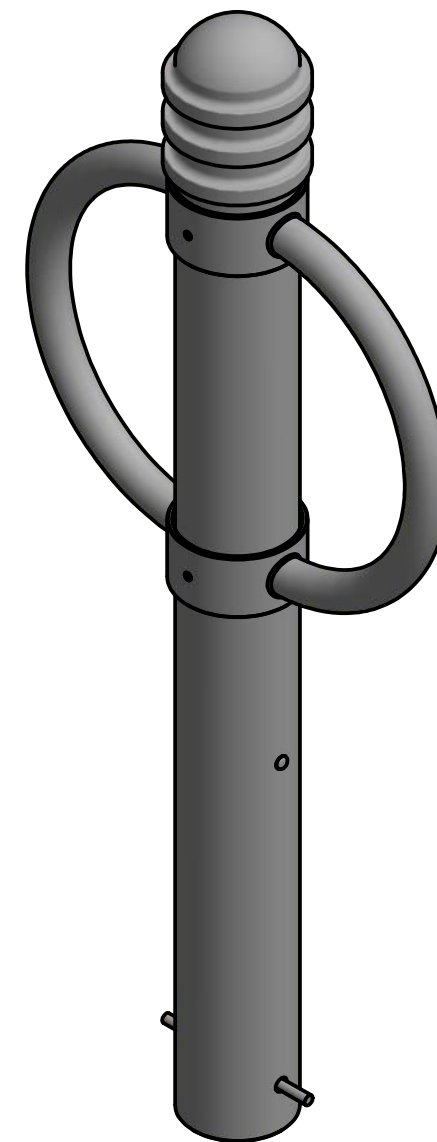
Removable Receiver with Lid
(for detail, see sheet 2 of 4)



Removable Receiver with Chain
(for detail, see sheet 3 of 4)



Fixed Embedded Mount
(for detail, see sheet 4 of 4)



3 Available Mounting Options

General Description:

The R-7905 Post & Ring Bike Bollard offers versatile design and functionality. Rounded bike-locking arms are bolted internally to ensure secure storage for cyclists. Locking arms can also be used to assist in removal and transport for removable applications. R-7905 Bike Bollards are made from carbon steel with welded annular rings and powder coated in 1 of 6 custom colors. Select from in-ground embed and removable mountings.

For more information on bollard post installation, please visit: www.reliance-foundry.com/bollard/installation-bollards

Specifications:

Height: 36" (Above Grade)

Base Diameter: 4 3/8"

Weight: 42 lbs (Bollard Post w/ Round Arm)

Material: Steel (ASTM A36)

Finish Options:

- ✓ Polyester Powdercoated

See Reliance Foundry's standard color options at www.reliance-foundry.com/bollard/colors-bollards

RELIANCE FOUNDRY
SINCE 1925

Unit 207, 6450 - 148 Street, Surrey, BC V3S 7G7, Canada
1-888-735-5680 info@reliance-foundry.com
www.reliance-foundry.com

TITLE

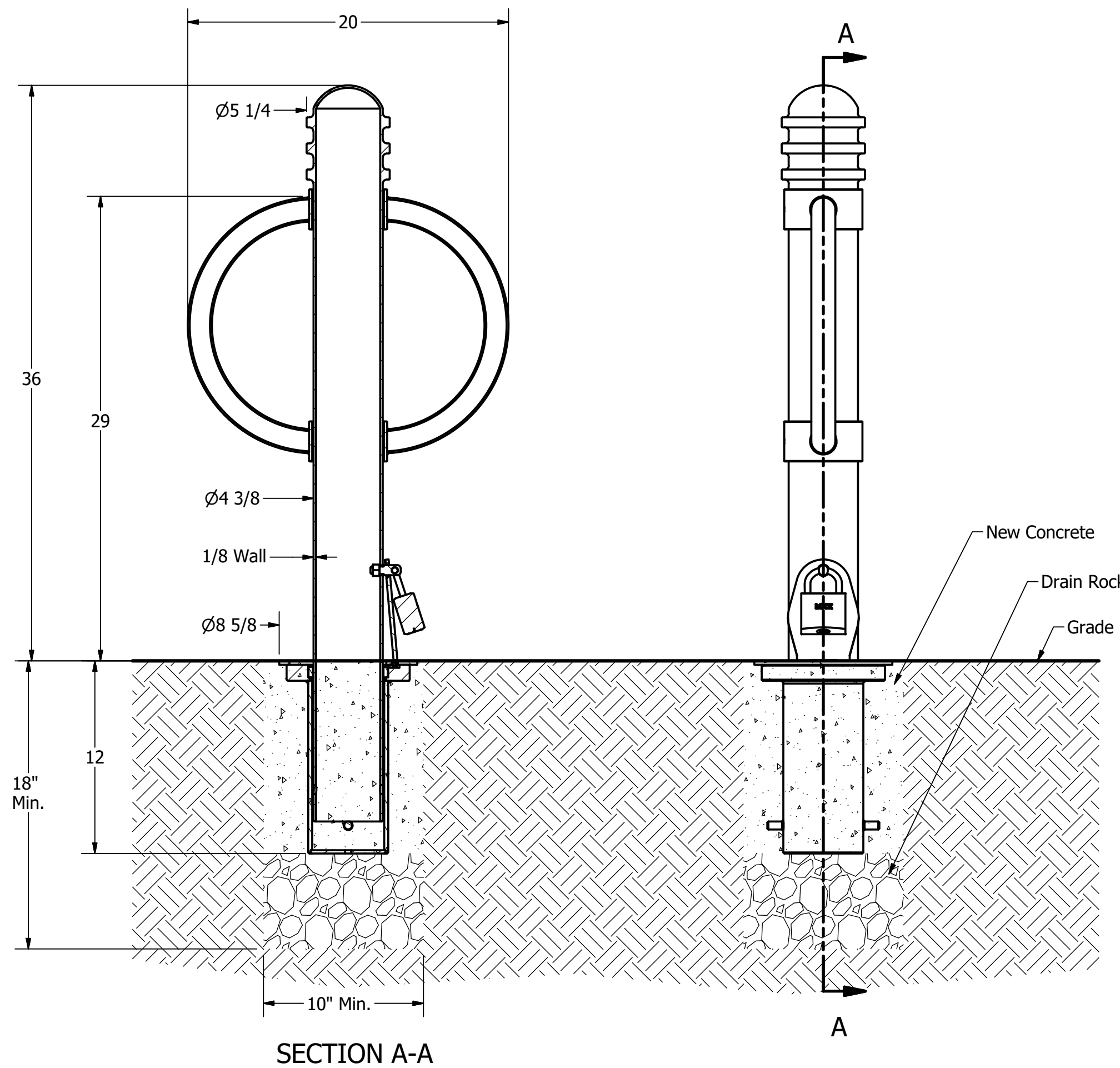
Bike Bollard, Model R-7905

SIZE
C

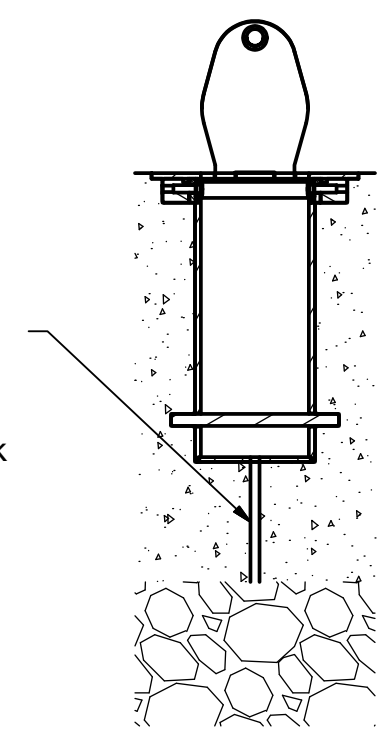
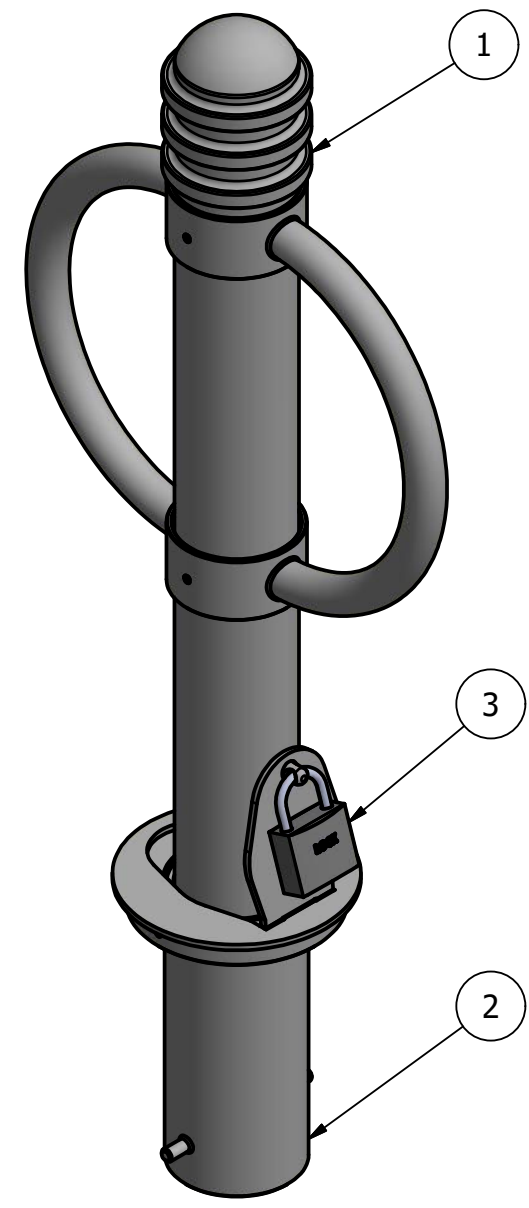
DWG NO
R-7905

REV
C1

Bike Bollard, Model R-7905



* If local frost line exceeds 12" deep, provide adequate drainage by piping through concrete, connect to drain rock layer underneath



General Description:

The R-7905 Post & Ring Bike Bollard offers versatile design and functionality. Rounded bike-locking arms are bolted internally to ensure secure storage for cyclists. Locking arms can also be used to assist in removal and transport for removable applications. R-7905 Bike Bollards are made from carbon steel with welded annular rings and powder coated in 1 of 6 custom colors. Select from in-ground embed and removable mountings.

For more information on bollard post installation, please visit: www.reliance-foundry.com/bollard/installation-bollards

Specifications:

- Height: 36" (Above Grade)
- Base Diameter: 4 3/8"
- Weight: 42 lbs (Bollard Post w/ Round Arm)
- Material: Steel (ASTM A36)

Finish Options:

- ✓ Polyester Powdercoated
- See Reliance Foundry's standard color options at www.reliance-foundry.com/bollard/colors-bollards

Mount Options:

- ✓ Removable Receiver with Lid (see sheet 2 of 4)
- Removable Receiver with Chain (see sheet 3 of 4)
- Fixed Embedded Mount (see sheet 4 of 4)

Removable Receiver with Lid

Notes:

- Embedment details are for reference illustration only. Minimum foundation sizes depend on local soil conditions, weather conditions, and engineering requirements.
- Bollard post is provided as shown, with material detailed in legend below. Concrete, foundation and/or installation ordered separately or provided by others.
- This drawing is not drawn to scale. Dimensions provided herein is for reference only. Please consult Reliance Foundry sales professionals if any dimension is critical to your particular installation.
- Reliance Foundry reserves the right to amend design and specifications without prior notice for product improvement.

PARTS LIST					
ITEM	QTY	PART NUMBER	DESCRIPTION	MATERIAL	WEIGHT
1	1	R7905 Removable Bollard	R7905 Removable Bollard Assembly	Steel Powder Coated	42 lbs
2	1	R7901R Receiver	R7901R Receiver Assembly w/ Lid	Galvanized Steel w/ 316 Stainless Steel Cover	24 lbs
3	1	Padlock (Optional)	Optional Padlock (Brass or Stainless Steel)	Choice of Brass or Stainless Steel	5/8 lbs

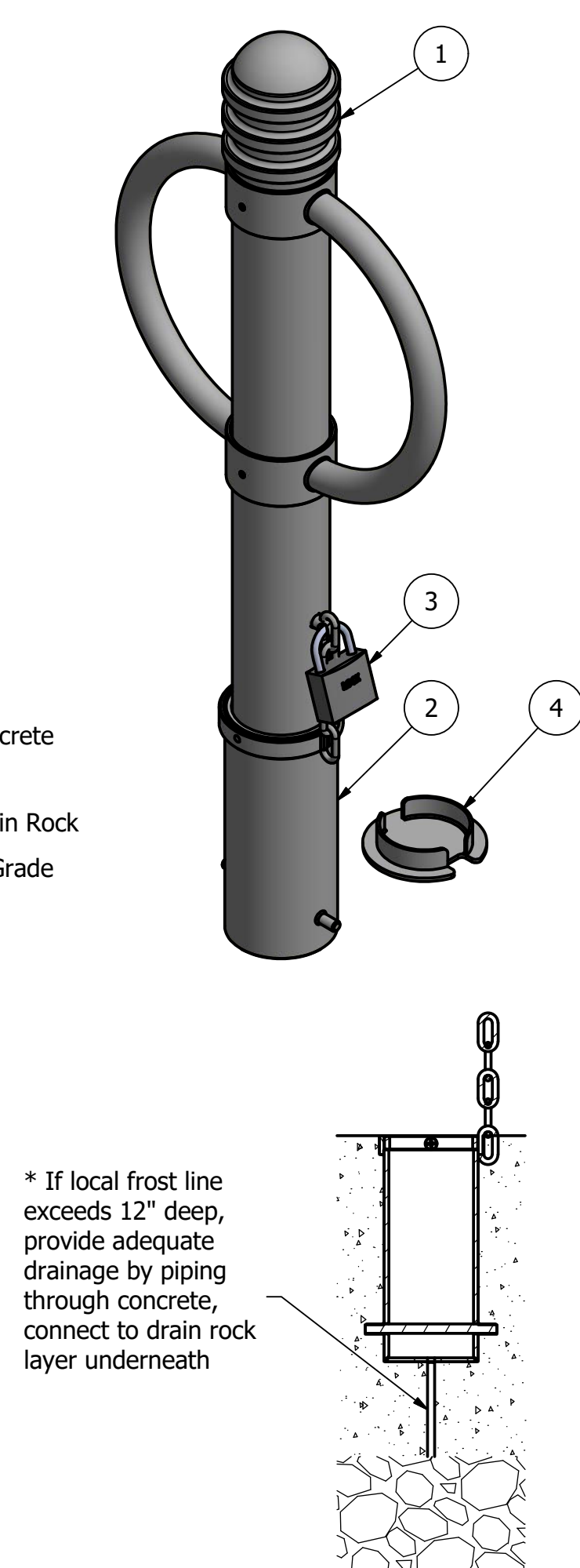
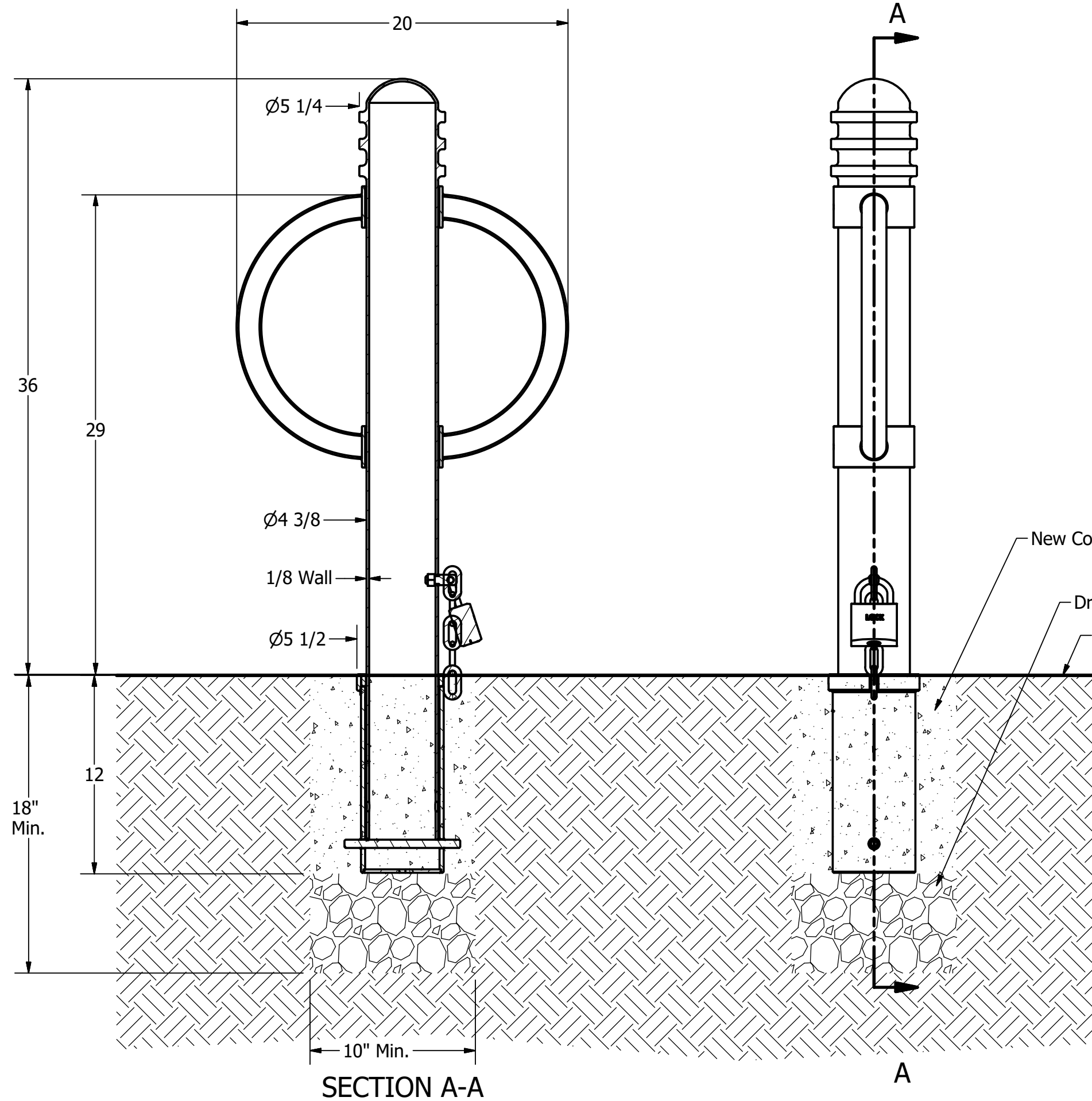
RELIANCE FOUNDRY
SINCE 1925

Unit 207, 6450 - 148 Street, Surrey, BC V3S 7G7, Canada
1-888-735-5680 info@reliance-foundry.com
www.reliance-foundry.com

Bike Bollard, Model R-7905

TITLE	SIZE	DWG NO	REV
	C	R-7905	C1

Bike Bollard, Model R-7905



Removable Receiver with Chain

Notes:

- Embedment details are for reference illustration only. Minimum foundation sizes depend on local soil conditions, weather conditions, and engineering requirements.
- Bollard post is provided as shown, with material detailed in legend below. Concrete, foundation and/or installation ordered separately or provided by others.
- This drawing is not drawn to scale. Dimensions provided herein is for reference only. Please consult Reliance Foundry sales professionals if any dimension is critical to your particular installation.
- Reliance Foundry reserves the right to amend design and specifications without prior notice for product improvement.

General Description:

The R-7905 Post & Ring Bike Bollard offers versatile design and functionality. Rounded bike-locking arms are bolted internally to ensure secure storage for cyclists. Locking arms can also be used to assist in removal and transport for removable applications. R-7905 Bike Bollards are made from carbon steel with welded annular rings-and powder coated in 1 of 6 custom colors. Select from in-ground embed and removable mountings.

For more information on bollard post installation, please visit: www.reliance-foundry.com/bollard/installation-bollards

Specifications:

Height: 36" (Above Grade)

Base Diameter: 4 3/8"

Weight: 42 lbs (Bollard Post w/ Round Arm)

Material: Steel (ASTM A36)

Finish Options:

- ✓ Polyester Powdercoated
- See Reliance Foundry's standard color options at www.reliance-foundry.com/bollard/colors-bollards

Mount Options:

- Removable Receiver with Lid (see sheet 2 of 4)
- ✓ Removable Receiver with Chain (see sheet 3 of 4)
- Fixed Embedded Mount (see sheet 4 of 4)

RELIANCE FOUNDRY
SINCE 1925

Unit 207, 6450 - 148 Street, Surrey, BC V3S 7G7, Canada
1-888-735-5680 info@reliance-foundry.com
www.reliance-foundry.com

TITLE

Bike Bollard, Model R-7905

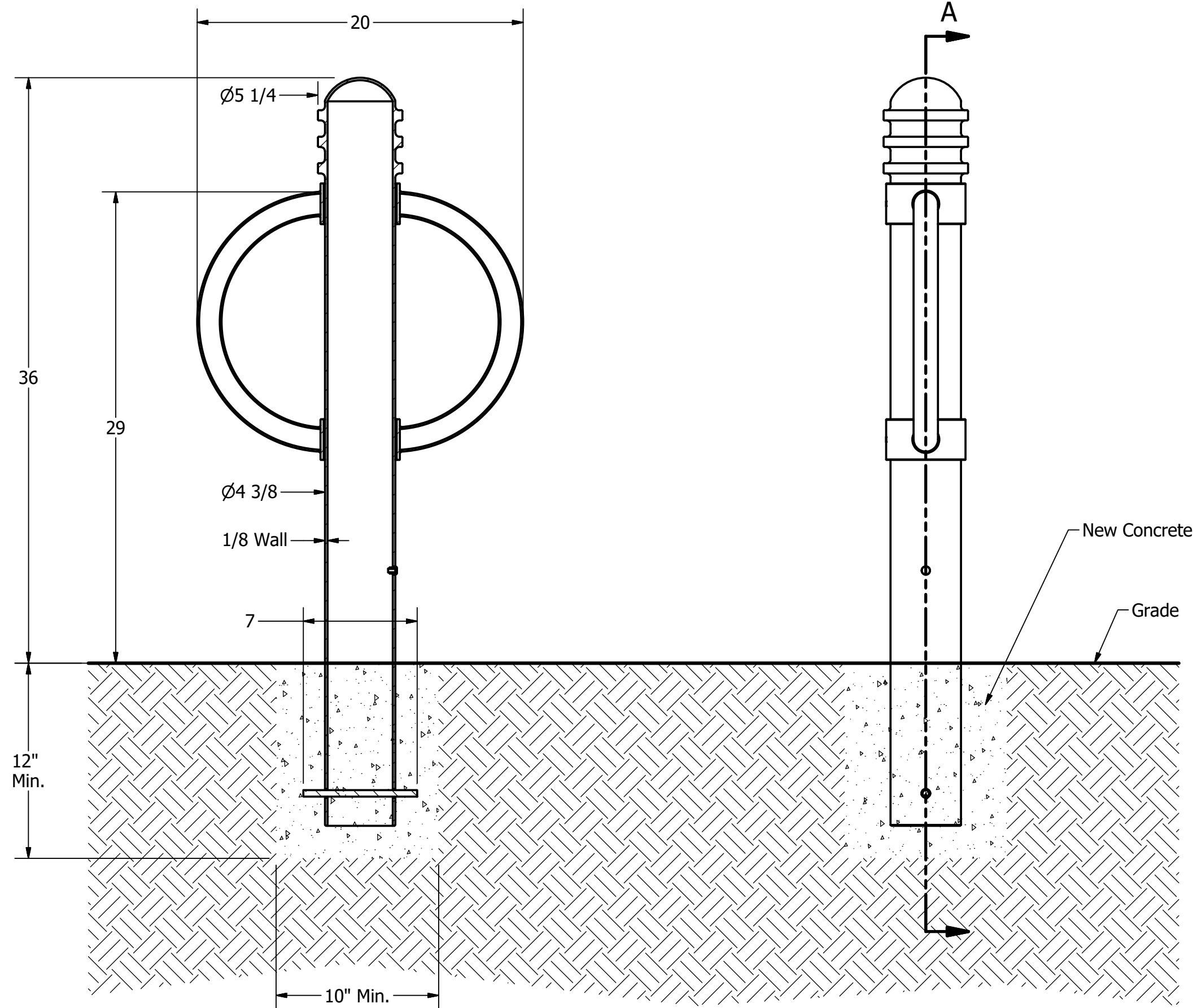
SIZE
C

DWG NO
R-7905

REV
C1

PARTS LIST					
ITEM	QTY	PART NUMBER	DESCRIPTION	MATERIAL	WEIGHT
1	1	R7905 Removable Bollard	R7905 Removable Bollard Assembly	Steel Powder Coated	42 lbs
2	1	R7902R Receiver	R7902R Receiver Assembly	Galvanized Steel, w/ 304 Stainless Steel Chain	16 lbs
3	1	Padlock (Optional)	Optional Padlock (Brass or Stainless Steel)	Choice of Brass or Stainless Steel	5/8 lbs
4	1	R7902RC Receiver Cover (Optional)	Optional R7902RC Receiver Cover	304 Stainless Steel	2 lbs

Bike Bollard, Model R-7905



SECTION A-A

A

Fixed Installation in New Concrete

Notes:

- Embedment details are for reference illustration only. Minimum foundation sizes depend on local soil conditions, weather conditions, and engineering requirements.
- Bollard post is provided as shown, with material detailed in legend below. Concrete, foundation and/or installation ordered separately or provided by others.
- This drawing is not drawn to scale. Dimensions provided herein is for reference only. Please consult Reliance Foundry sales professionals if any dimension is critical to your particular installation.
- Reliance Foundry reserves the right to amend design and specifications without prior notice for product improvement.

PARTS LIST					
ITEM	QTY	PART NUMBER	DESCRIPTION	MATERIAL	WEIGHT
1	1	R7905 Fixed Bollard	R7905 Fixed Bollard Assembly	Steel Powder Coated	42 lbs
2	1	Polyethylene Plug 1/2"	Polyethylene Plug 1/2"	Polyethylene Plastic	
3	1	Steel Rebar	Steel Rebar 10 mm x 7"	Steel Epoxy Coated	3/8 lbs

General Description:

The R-7905 Post & Ring Bike Bollard offers versatile design and functionality. Rounded bike-locking arms are bolted internally to ensure secure storage for cyclists. Locking arms can also be used to assist in removal and transport for removable applications. R-7905 Bike Bollards are made from carbon steel with welded annular rings-and powder coated in 1 of 6 custom colors. Select from in-ground embed and removable mountings.

For more information on bollard post installation, please visit: www.reliance-foundry.com/bollard/installation-bollards

Specifications:

Height: 36" (Above Grade)

Base Diameter: 4 3/8"

Weight: 42 lbs (Bollard Post w/ Round Arm)

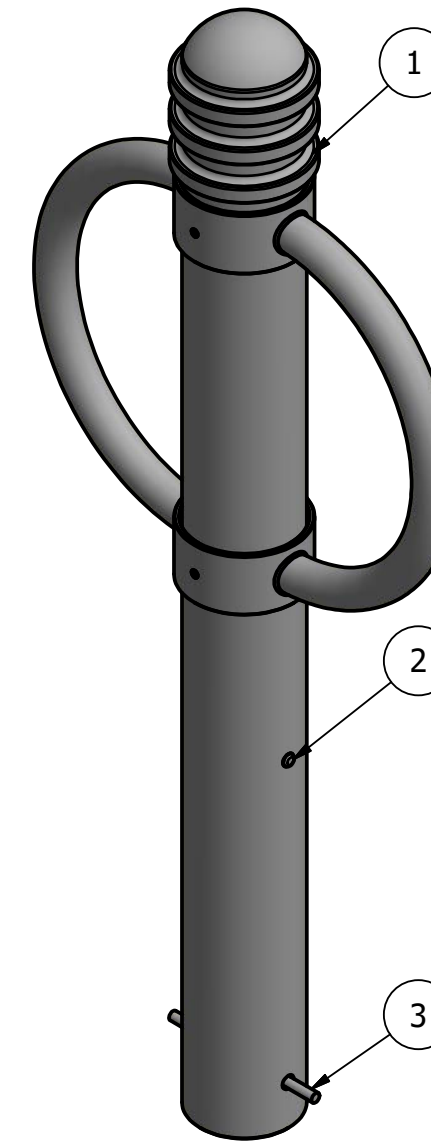
Material: Steel (ASTM A36)

Finish Options:

- ✓ Polyester Powdercoated
- See Reliance Foundry's standard color options at www.reliance-foundry.com/bollard/colors-bollards

Mount Options:

- Removable Receiver with Lid (see sheet 2 of 4)
- Removable Receiver with Chain (see sheet 3 of 4)
- ✓ Fixed Embedded Mount (see sheet 4 of 4)



RELIANCE FOUNDRY
SINCE 1925

Unit 207, 6450 - 148 Street, Surrey, BC V3S 7G7, Canada
1-888-735-5680 info@reliance-foundry.com
www.reliance-foundry.com

TITLE

Bike Bollard, Model R-7905

SIZE
C

DWG NO
R-7905

REV
C1