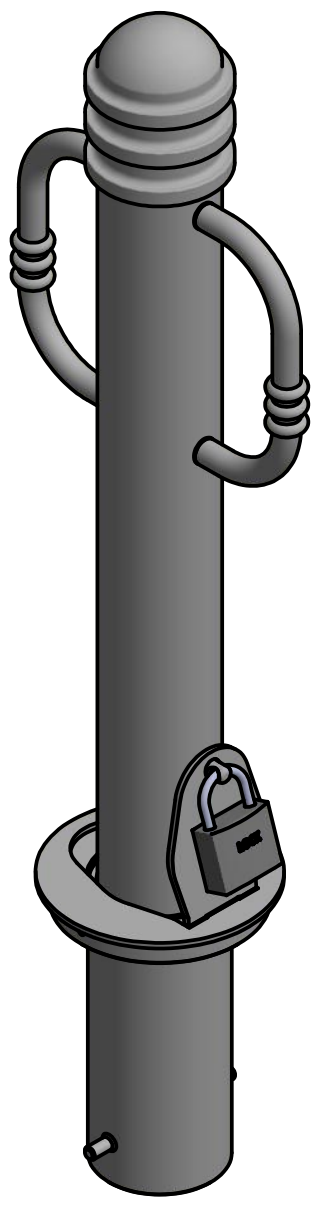
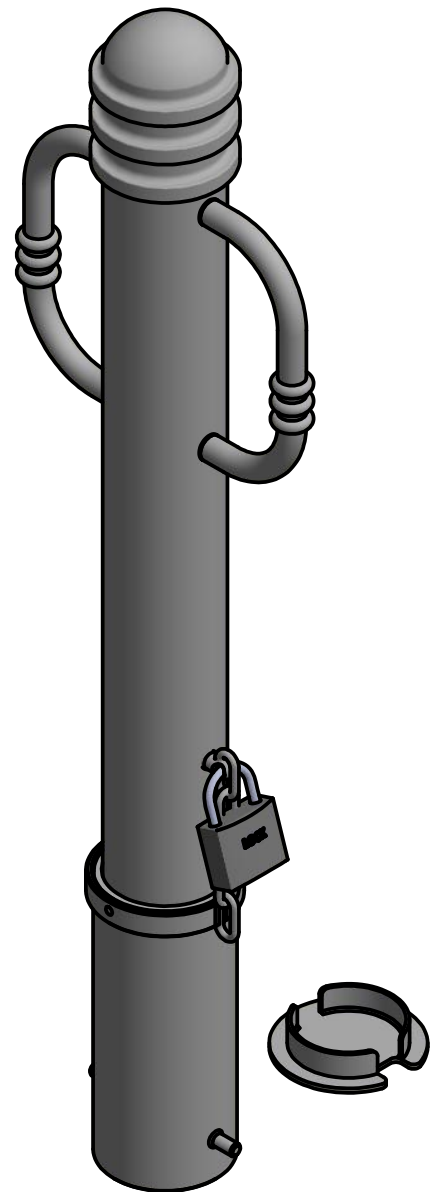


Bike Bollard R-7903 (RSA)

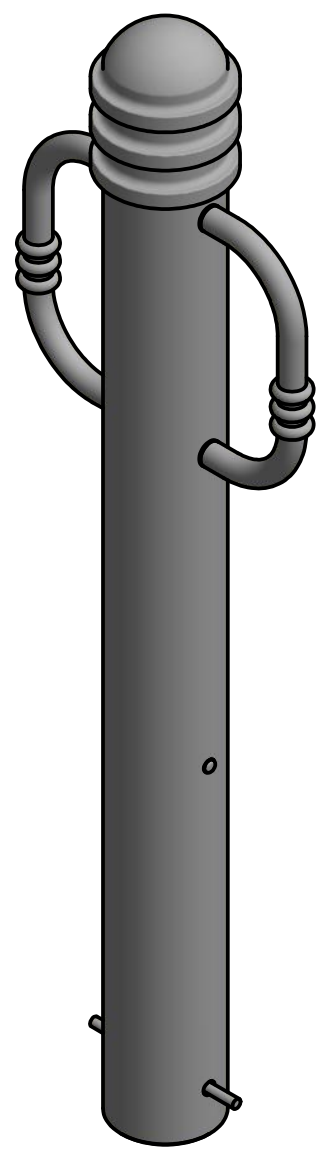
Removable Receiver with Lid
(for detail, see sheet 2 of 6)



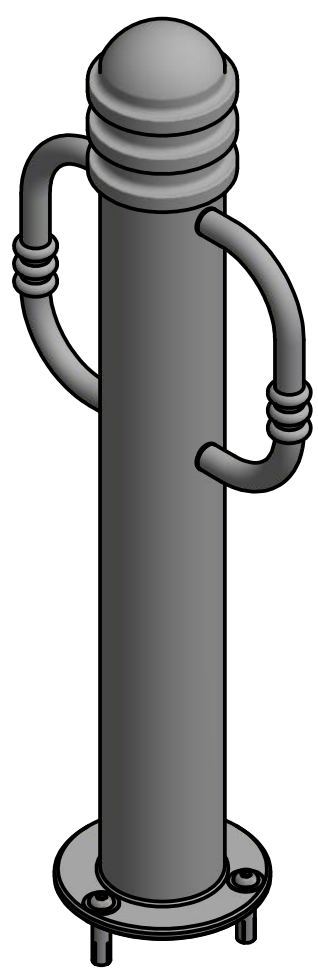
Removable Receiver with Chain
(for detail, see sheet 3 of 6)



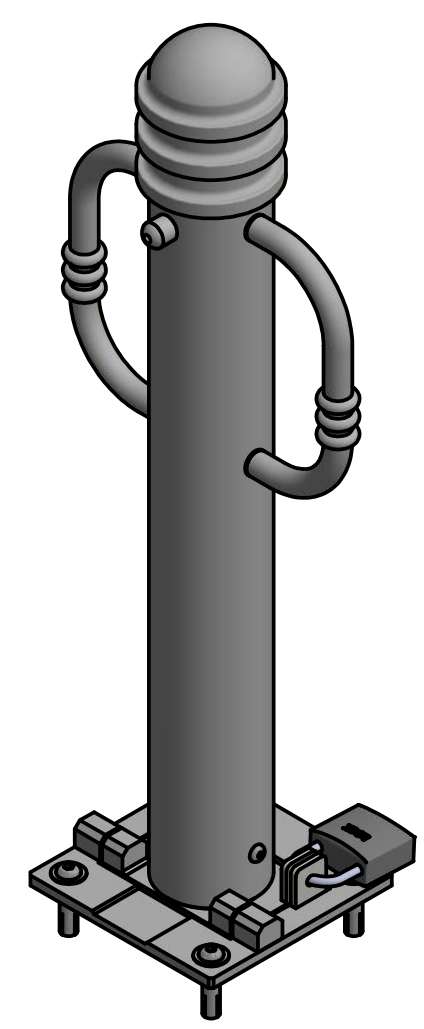
Fixed Embedded Mount
(for detail, see sheet 4 of 6)



Flanged Surface Mount
(for detail, see sheet 5 of 6)



Fold Down Mount
(for detail, see sheet 6 of 6)



5 Available Mounting Options

General Description:

The R-7903 Bike Bollard offers versatile design and functionality. Bike-locking arms are bolted internally to ensure secure storage for cyclists. Locking arms can also be used to assist in removal and transport for removable applications. R-7903 Bike Bollards are made from carbon steel with welded annular rings and powder coated in 1 of 6 custom colors. Select from a range of mounting options: bolt-down flange, in-ground embed, fold-down and removable mountings.

For more information on bollard post installation, please visit: www.reliance-foundry.com/bollard/installation-bollards

Specifications:

- Height: 36" (Above Grade)
- Base Diameter: 4 3/8"
- Weight: 38 lbs (Bollard Post Full Length)
- Material: Steel Body w/ 316 Stainless Steel Bike Arms

Bollard Body Finish Options:

- Polyester Powdercoated
- See Reliance Foundry's standard color options at www.reliance-foundry.com/bollard/colors-bollards

Bike Arm Finish Options:

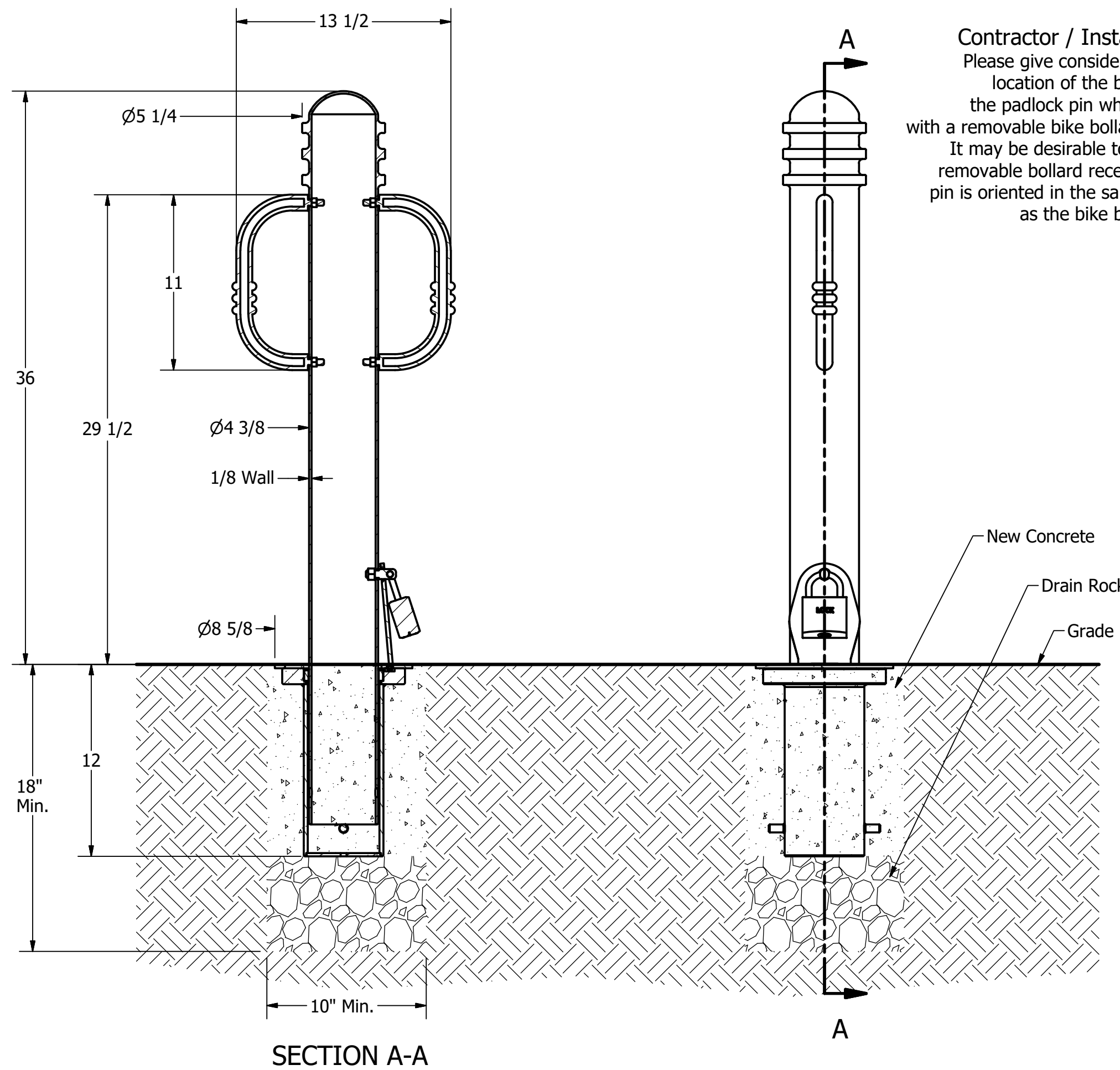
- R-7903 Bike Arms Polyester Powdercoated
- R-7903-RSA Bike Arms Without Powdercoating



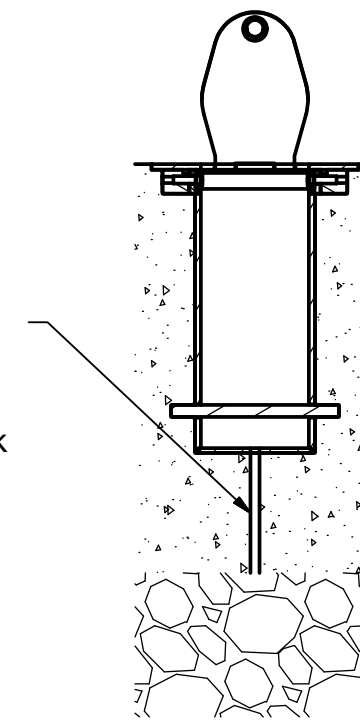
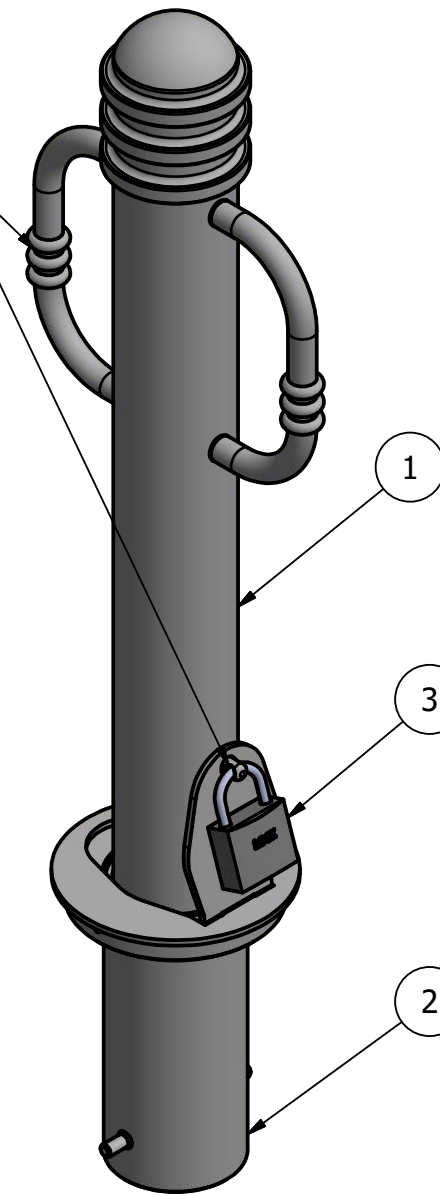
Unit 207, 6450 - 148 Street, Surrey, BC V3S 7G7, Canada
1-888-735-5680 info@reliance-foundry.com
www.reliance-foundry.com

TITLE			
Bike Bollard R-7903 (RSA)			
SIZE	DWG NO	REV	
C	R-7903 (RSA)	C2	
NOT TO SCALE		SHEET 1 OF 6	

Bike Bollard R-7903 (RSA)



Contractor / Installer Alert:
Please give consideration to the location of the bike arm and the padlock pin when installing with a removable bike bollard receiver. It may be desirable to ensure the removable bollard receiver padlock pin is oriented in the same direction as the bike bollard arms.



* If local frost line exceeds 12" deep, provide adequate drainage by piping through concrete, connect to drain rock layer underneath

Removable Receiver with Lid

Notes:

- Embedment details are for reference illustration only. Minimum foundation sizes depend on local soil conditions, weather conditions, and engineering requirements.
- Bollard post is provided as shown, with material detailed in legend below. Concrete, foundation and/or installation ordered separately or provided by others.
- This drawing is not drawn to scale. Dimensions provided herein is for reference only. Please consult Reliance Foundry sales professionals if any dimension is critical to your particular installation.
- Reliance Foundry reserves the right to amend design and specifications without prior notice for product improvement.

General Description:

The R-7903 Bike Bollard offers versatile design and functionality. Bike-locking arms are bolted internally to ensure secure storage for cyclists. Locking arms can also be used to assist in removal and transport for removable applications. R-7903 Bike Bollards are made from carbon steel with welded annular rings and powder coated in 1 of 6 custom colors. Select from a range of mounting options: bolt-down flange, in-ground embed, fold-down and removable mountings.

For more information on bollard post installation, please visit: www.reliance-foundry.com/bollard/installation-bollards

Specifications:

Height: 36" (Above Grade)

Base Diameter: 4 3/8"

Weight: 38 lbs (Bollard Post Full Length)

Material: Steel Body w/ 316 Stainless Steel Bike Arms

Bollard Body Finish Options:

- Polyester Powdercoated
See Reliance Foundry's standard color options at www.reliance-foundry.com/bollard/colors-bollards

Bike Arm Finish Options:

- R-7903 Bike Arms Polyester Powdercoated
- R-7903-RSA Bike Arms Without Powdercoating

Mount Options:

- ✓ Removable Receiver with Lid (see sheet 2 of 6)
- Removable Receiver with Chain (see sheet 3 of 6)
- Fixed Embedded Mount (see sheet 4 of 6)
- Flanged Surface Mount (see sheet 5 of 6)
- Fold Down Mount (see sheet 6 of 6)

RELIANCE FOUNDRY
SINCE 1925

Unit 207, 6450 - 148 Street, Surrey, BC V3S 7G7, Canada
1-888-735-5680 info@reliance-foundry.com
www.reliance-foundry.com

TITLE

Bike Bollard R-7903 (RSA)

SIZE
C

DWG NO
R-7903 (RSA)

REV
C2

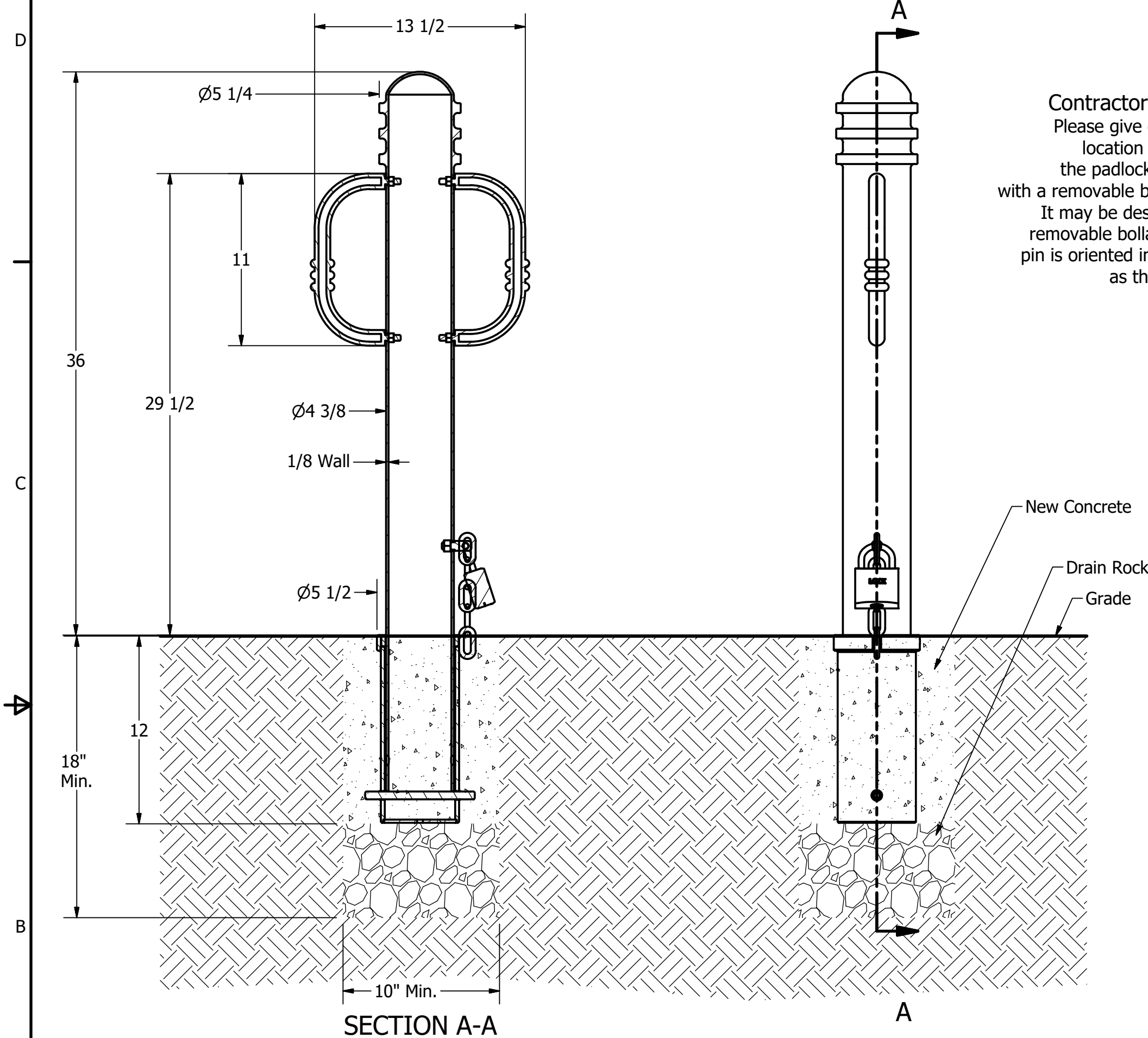
PARTS LIST					
ITEM	QTY	PART NUMBER	DESCRIPTION	MATERIAL	WEIGHT
1	1	R7903 Removable Bollard	R7903 Removable Bollard Assembly	Steel Body w/ 316 Stainless Steel Bike Arms	38 lbs
2	1	R7901R Receiver	R7901R Receiver Assembly w/ Lid	Galvanized Steel w/ 316 Stainless Steel Cover	24 lbs
3	1	Padlock (Optional)	Optional Padlock (Brass or Stainless Steel)	Choice of Brass or Stainless Steel	5/8 lbs

COPYRIGHT RESERVED THIS PLAN DRAWING AND DESIGN ARE, AND AT ALL TIMES REMAIN, THE EXCLUSIVE PROPERTY OF RELIANCE FOUNDRY CO. LTD.

NOT TO SCALE

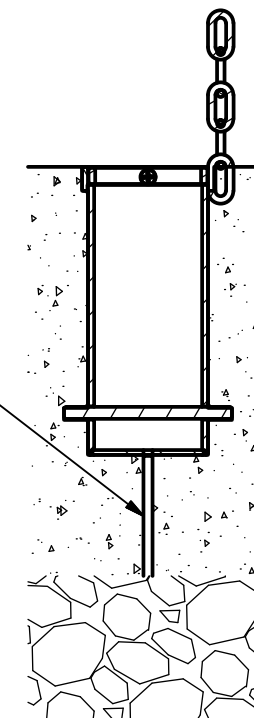
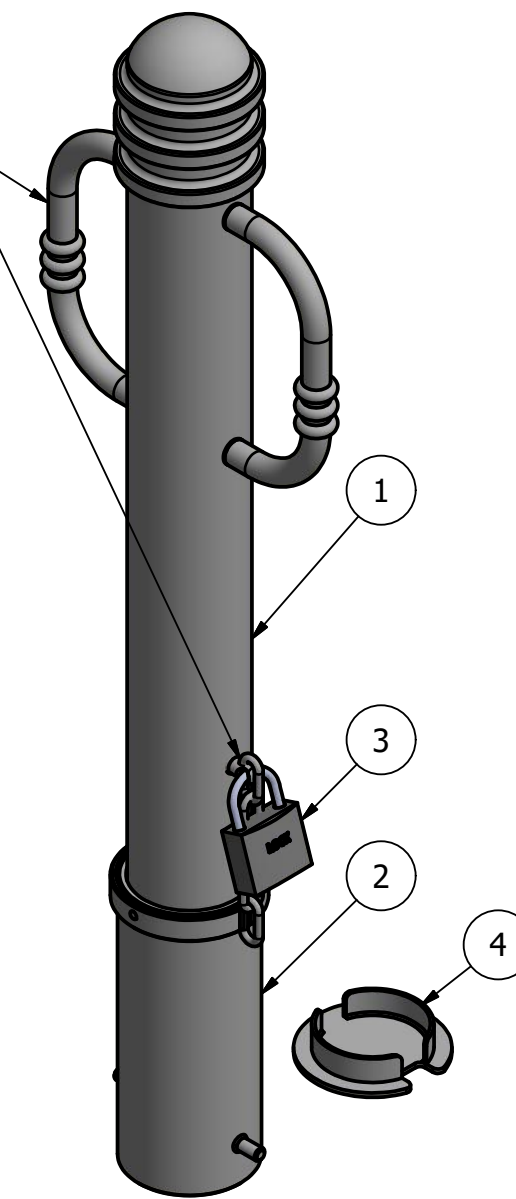
SHEET 2 OF 6

Bike Bollard R-7903 (RSA)



Contractor / Installer Alert:
Please give consideration to the location of the bike arm and the padlock pin when installing with a removable bike bollard receiver. It may be desirable to ensure the removable bollard receiver padlock pin is oriented in the same direction as the bike bollard arms.

* If local frost line exceeds 12" deep, provide adequate drainage by piping through concrete, connect to drain rock layer underneath



General Description:

The R-7903 Bike Bollard offers versatile design and functionality. Bike-locking arms are bolted internally to ensure secure storage for cyclists. Locking arms can also be used to assist in removal and transport for removable applications. R-7903 Bike Bollards are made from carbon steel with welded annular rings and powder coated in 1 of 6 custom colors. Select from a range of mounting options: bolt-down flange, in-ground embed, fold-down and removable mountings.

For more information on bollard post installation, please visit: www.reliance-foundry.com/bollard/installation-bollards

Specifications:

Height: 36" (Above Grade)

Base Diameter: 4 3/8"

Weight: 38 lbs (Bollard Post Full Length)

Material: Steel Body w/ 316 Stainless Steel Bike Arms

Bollard Body Finish Options:

- Polyester Powdercoated
- See Reliance Foundry's standard color options at www.reliance-foundry.com/bollard/colors-bollards

Bike Arm Finish Options:

- R-7903 Bike Arms Polyester Powdercoated
- R-7903-RSA Bike Arms Without Powdercoating

Mount Options:

- Removable Receiver with Lid (see sheet 2 of 6)
- Removable Receiver with Chain (see sheet 3 of 6)
- Fixed Embedded Mount (see sheet 4 of 6)
- Flanged Surface Mount (see sheet 5 of 6)
- Fold Down Mount (see sheet 6 of 6)

Removable Receiver with Chain

Notes:

- Embedment details are for reference illustration only. Minimum foundation sizes depend on local soil conditions, weather conditions, and engineering requirements.
- Bollard post is provided as shown, with material detailed in legend below. Concrete, foundation and/or installation ordered separately or provided by others.
- This drawing is not drawn to scale. Dimensions provided herein is for reference only. Please consult Reliance Foundry sales professionals if any dimension is critical to your particular installation.
- Reliance Foundry reserves the right to amend design and specifications without prior notice for product improvement.

PARTS LIST					
ITEM	QTY	PART NUMBER	DESCRIPTION	MATERIAL	WEIGHT
1	1	R7903 Removable Bollard	R7903 Removable Bollard Assembly	Steel Body w/ 316 Stainless Steel Bike Arms	38 lbs
2	1	R7902R Receiver	R7902R Receiver Assembly	Galvanized Steel, w/ 304 Stainless Steel Chain	16 lbs
3	1	Padlock (Optional)	Optional Padlock (Brass or Stainless Steel)	Choice of Brass or Stainless Steel	5/8 lbs
4	1	R7902RC Receiver Cover (Optional)	Optional R7902RC Receiver Cover	304 Stainless Steel	2 lbs

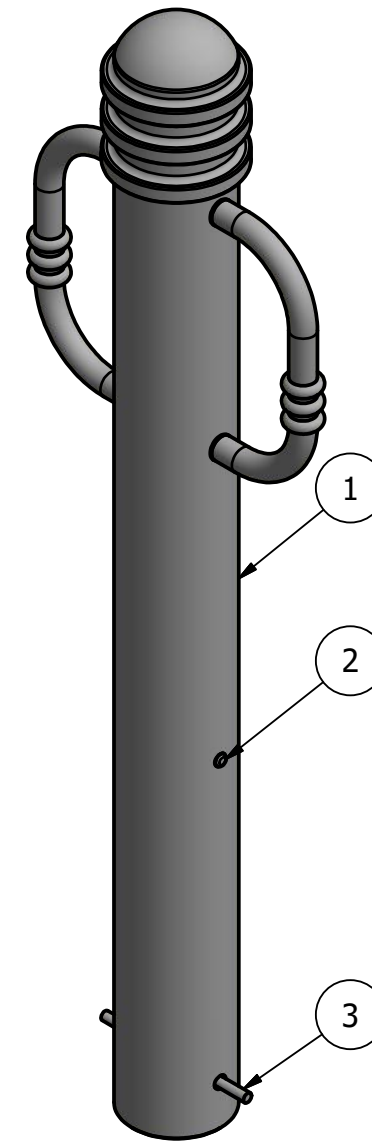
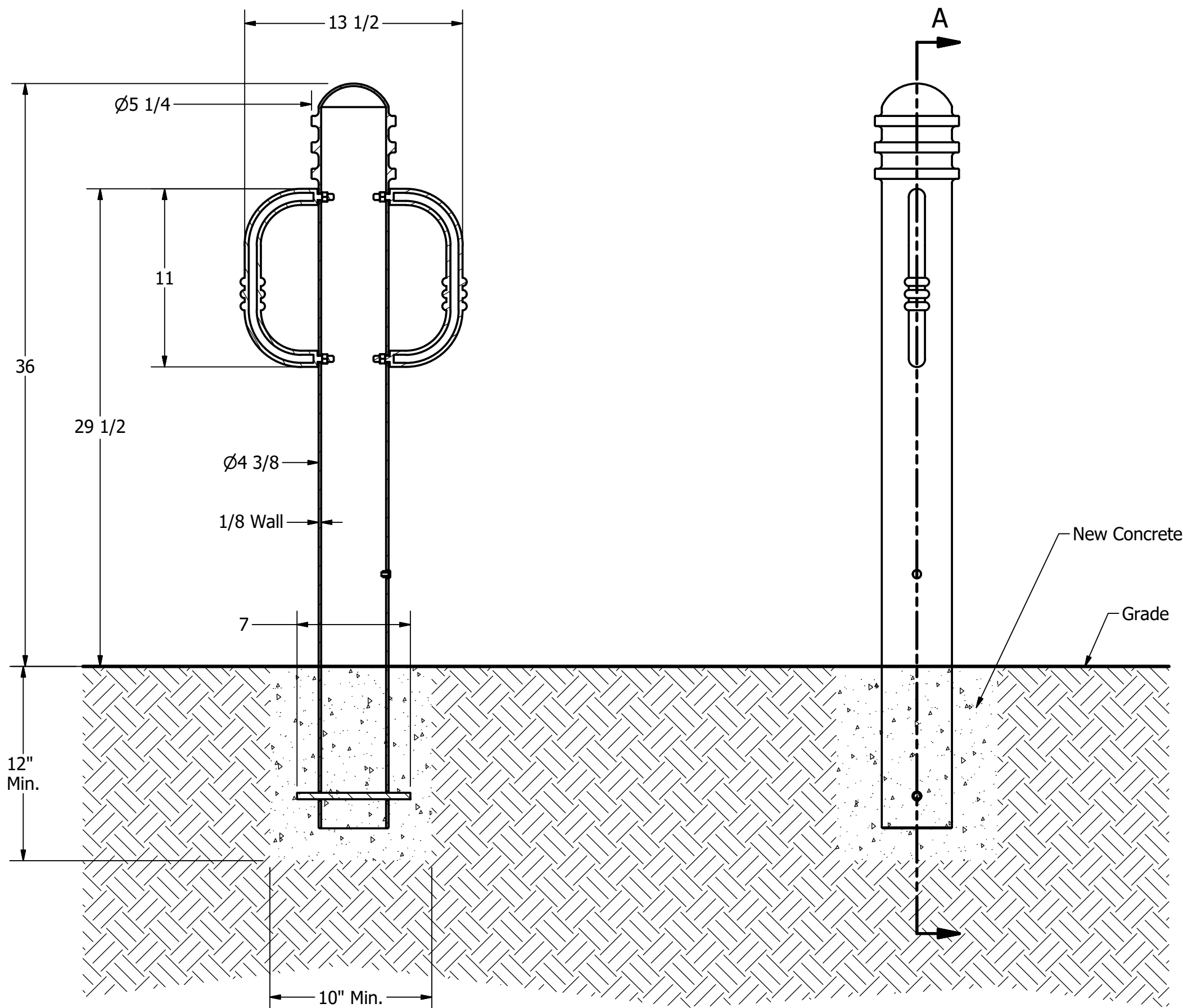
RELIANCE FOUNDRY
SINCE 1925

Unit 207, 6450 - 148 Street, Surrey, BC V3S 7G7, Canada
1-888-735-5680 info@reliance-foundry.com
www.reliance-foundry.com

Bike Bollard R-7903 (RSA)

SIZE	DWG NO	REV
C	R-7903 (RSA)	C2

Bike Bollard R-7903 (RSA)



General Description:

The R-7903 Bike Bollard offers versatile design and functionality. Bike-locking arms are bolted internally to ensure secure storage for cyclists. Locking arms can also be used to assist in removal and transport for removable applications. R-7903 Bike Bollards are made from carbon steel with welded annular rings and powder coated in 1 of 6 custom colors. Select from a range of mounting options: bolt-down flange, in-ground embed, fold-down and removable mountings.

For more information on bollard post installation, please visit: www.reliance-foundry.com/bollard/installation-bollards

Specifications:

Height: 36" (Above Grade)

Base Diameter: 4 3/8"

Weight: 38 lbs (Bollard Post Full Length)

Material: Steel Body w/ 316 Stainless Steel Bike Arms

Bollard Body Finish Options:

- Polyester Powdercoated
See Reliance Foundry's standard color options at www.reliance-foundry.com/bollard/colors-bollards

Bike Arm Finish Options:

- R-7903 Bike Arms Polyester Powdercoated
- R-7903-RSA Bike Arms Without Powdercoating

Mount Options:

- Removable Receiver with Lid (see sheet 2 of 6)
- Removable Receiver with Chain (see sheet 3 of 6)
- Fixed Embedded Mount (see sheet 4 of 6)
- Flanged Surface Mount (see sheet 5 of 6)
- Fold Down Mount (see sheet 6 of 6)

Fixed Installation in New Concrete

Notes:

- Embedment details are for reference illustration only. Minimum foundation sizes depend on local soil conditions, weather conditions, and engineering requirements.
- Bollard post is provided as shown, with material detailed in legend below. Concrete, foundation and/or installation ordered separately or provided by others.
- This drawing is not drawn to scale. Dimensions provided herein is for reference only. Please consult Reliance Foundry sales professionals if any dimension is critical to your particular installation.
- Reliance Foundry reserves the right to amend design and specifications without prior notice for product improvement.

PARTS LIST					
ITEM	QTY	PART NUMBER	DESCRIPTION	MATERIAL	WEIGHT
1	1	R7903 Fixed Bollard	R7903 Fixed Bollard Assembly	Steel Body w/ 316 Stainless Steel Bike Arms	38 lbs
2	1	Polyethylene Plug 1/2"	Polyethylene Plug 1/2"	Polyethylene Plastic	
3	1	Steel Rebar	Steel Rebar 10 mm x 7"	Steel Epoxy Coated	3/8 lbs

RELIANCE FOUNDRY
SINCE 1925

Unit 207, 6450 - 148 Street, Surrey, BC V3S 7G7, Canada
1-888-735-5680 info@reliance-foundry.com
www.reliance-foundry.com

TITLE

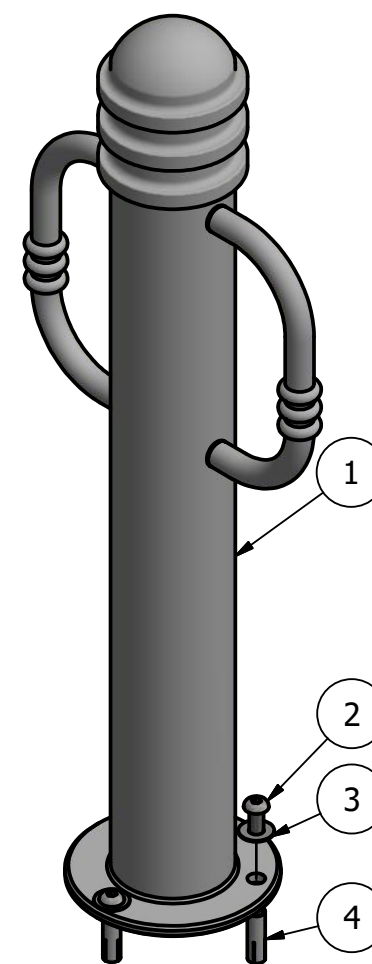
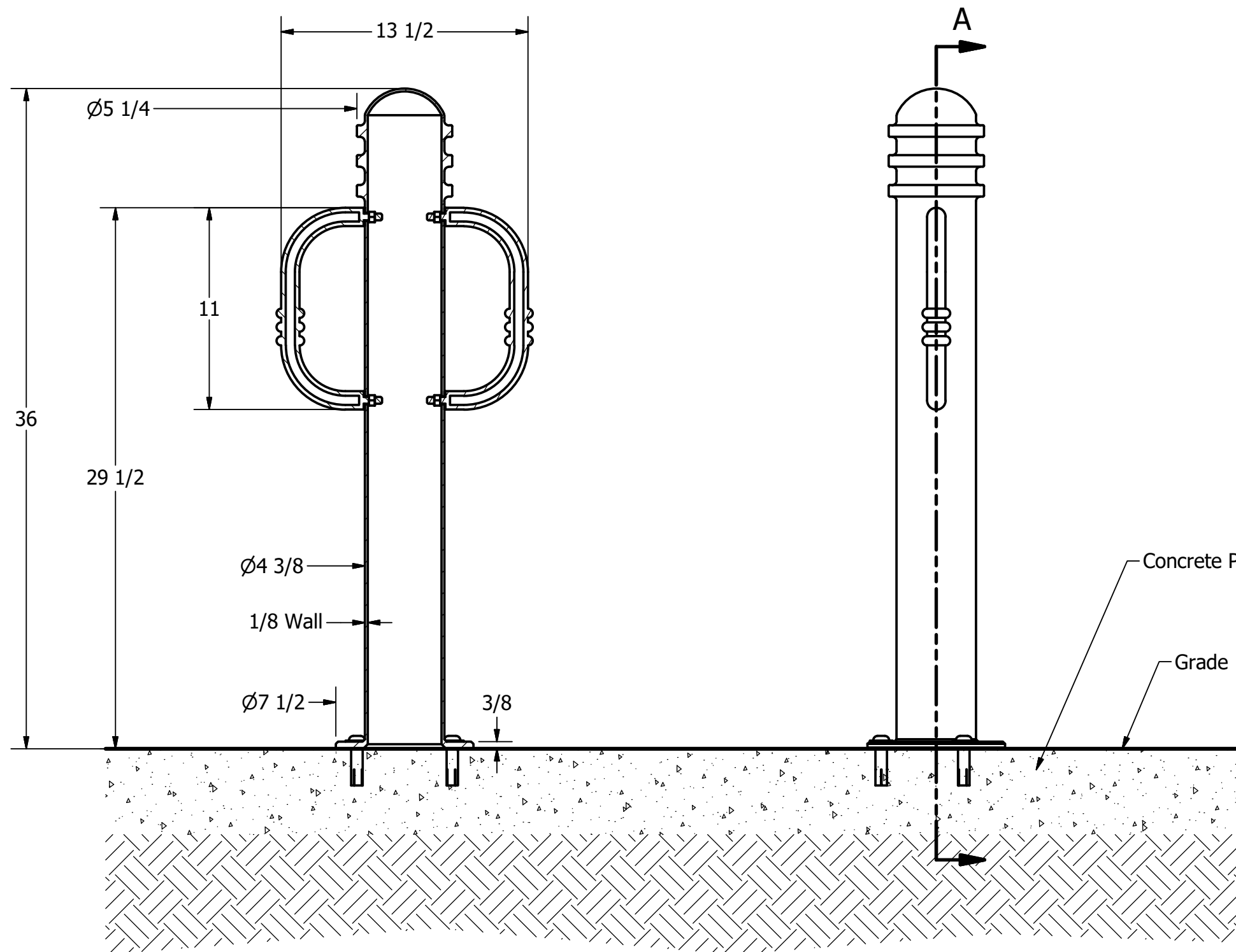
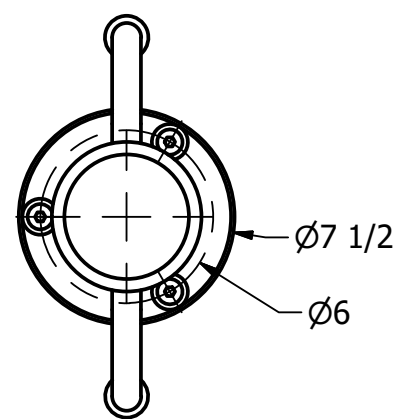
Bike Bollard R-7903 (RSA)

SIZE
C

DWG NO
R-7903 (RSA)

REV
C2

Bike Bollard R-7903 (RSA)



SECTION A-A

A

Flanged / Surface Mount

Notes:

- Embedment details are for reference illustration only. Minimum foundation sizes depend on local soil conditions, weather conditions, and engineering requirements.
- Bollard post is provided as shown, with material detailed in legend below. Concrete, foundation and/or installation ordered separately or provided by others.
- This drawing is not drawn to scale. Dimensions provided herein is for reference only. Please consult Reliance Foundry sales professionals if any dimension is critical to your particular installation.
- Reliance Foundry reserves the right to amend design and specifications without prior notice for product improvement.

General Description:

The R-7903 Bike Bollard offers versatile design and functionality. Bike-locking arms are bolted internally to ensure secure storage for cyclists. Locking arms can also be used to assist in removal and transport for removable applications. R-7903 Bike Bollards are made from carbon steel with welded annular rings and powder coated in 1 of 6 custom colors. Select from a range of mounting options: bolt-down flange, in-ground embed, fold-down and removable mountings.

For more information on bollard post installation, please visit: www.reliance-foundry.com/bollard/installation-bollards

Specifications:

Height: 36" (Above Grade)

Base Diameter: 4 3/8"

Weight: 38 lbs (Bollard Post Full Length)

Material: Steel Body w/ 316 Stainless Steel Bike Arms

Bollard Body Finish Options:

- Polyester Powdercoated
See Reliance Foundry's standard color options at www.reliance-foundry.com/bollard/colors-bollards

Bike Arm Finish Options:

- R-7903 Bike Arms Polyester Powdercoated
- R-7903-RSA Bike Arms Without Powdercoating

Mount Options:

- Removable Receiver with Lid (see sheet 2 of 6)
- Removable Receiver with Chain (see sheet 3 of 6)
- Fixed Embedded Mount (see sheet 4 of 6)
- ✓ Flanged Surface Mount (see sheet 5 of 6)
- Fold Down Mount (see sheet 6 of 6)

RELIANCE FOUNDRY
SINCE 1925

Unit 207, 6450 - 148 Street, Surrey, BC V3S 7G7, Canada
1-888-735-5680 info@reliance-foundry.com
www.reliance-foundry.com

TITLE

Bike Bollard R-7903 (RSA)

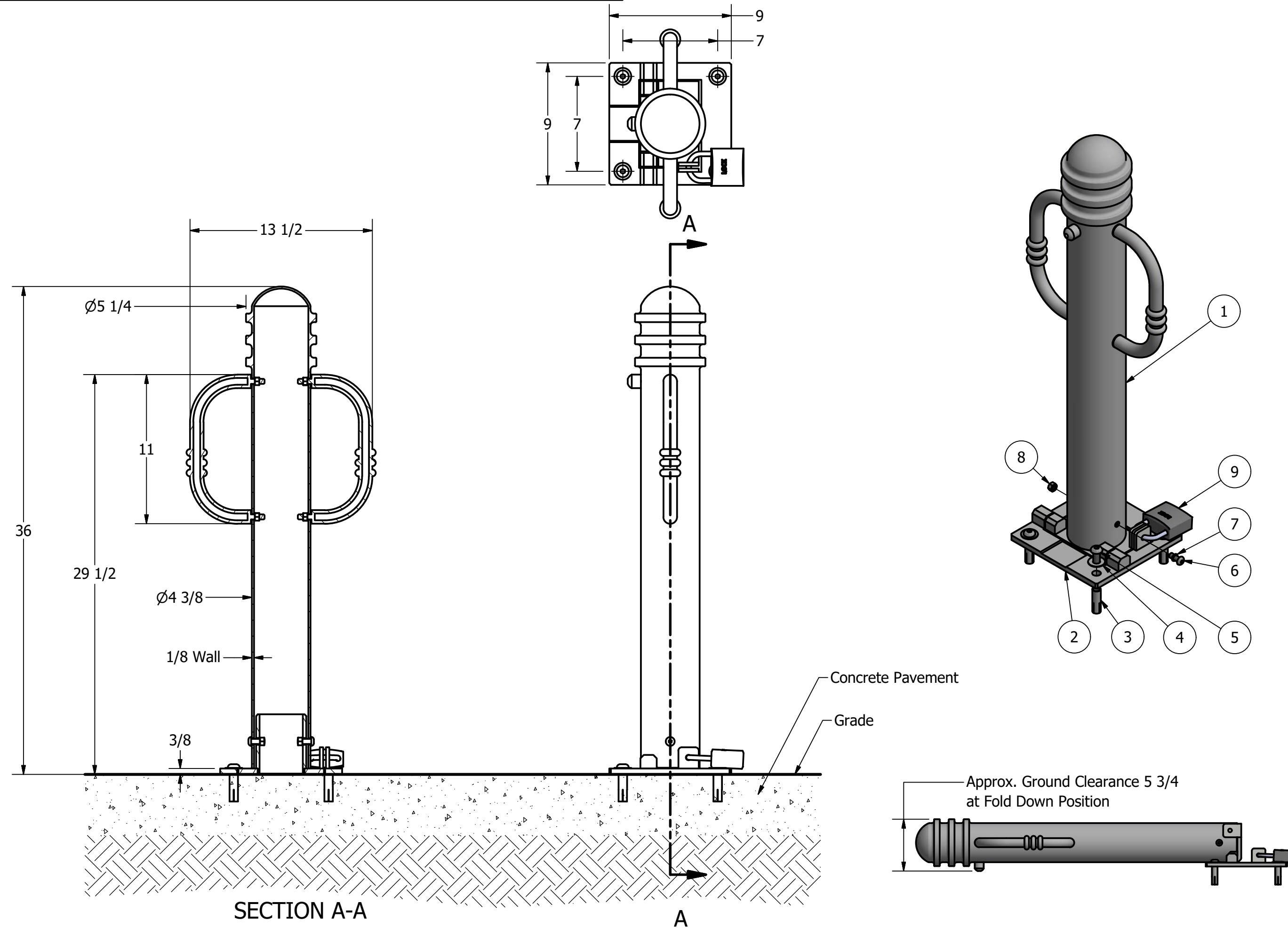
SIZE
C

DWG NO
R-7903 (RSA)

REV
C2

PARTS LIST					
ITEM	QTY	PART NUMBER	DESCRIPTION	MATERIAL	WEIGHT
1	1	R7903 Flanged Bollard	R7903 Flanged Bollard Assembly	Steel Body w/ 316 Stainless Steel Bike Arms	37 lbs
2	3	Button Head Bolt 1/2" x 1 1/4"	Hexagon Socket Button Head Cap Bolt 1/2" x 1 1/4" - requires 5/16" hex key	Stainless Steel	1/8 lbs
3	3	Stainless Steel Washer 1/2"	Stainless Steel Washer 1/2" OD 1 1/4" Thick .05"	Stainless Steel	
4	3	Drop-in Concrete Insert 1/2"	Drop-in Concrete Insert 1/2" - requires 5/8" x 2" hole (dia. x depth)	Steel Plated	1/8 lbs

Bike Bollard R-7903 (RSA)



Fold Down Mount

Notes:

- Embedment details are for reference illustration only. Minimum foundation sizes depend on local soil conditions, weather conditions, and engineering requirements.
- Bollard post is provided as shown, with material detailed in legend below. Concrete, foundation and/or installation ordered separately or provided by others.
- This drawing is not drawn to scale. Dimensions provided herein is for reference only. Please consult Reliance Foundry sales professionals if any dimension is critical to your particular installation.
- Reliance Foundry reserves the right to amend design and specifications without prior notice for product improvement.

PARTS LIST

ITEM	QTY	PART NUMBER	DESCRIPTION	MATERIAL	WEIGHT
1	1	R7903 Fold Down Bollard	R7903 Fold Down Bollard Assembly	Steel Body w/ 316 Stainless Steel Bike Arms	34 lbs
2	1	R7950A Fold Down Base	R7950A Fold Down Base Assembly	Steel HDG	15 lbs
3	4	Drop-in Concrete Insert 1/2"	Drop-in Concrete Insert 1/2" - requires 5/8" x 2" hole (dia. x depth)	Steel Plated	1/8 lbs
4	4	Stainless Steel Washer 1/2"	Stainless Steel Washer 1/2" OD 1 1/4" Thick .05"	Stainless Steel	
5	4	Button Head Bolt 1/2" x 1 1/4"	Hexagon Socket Button Head Cap Bolt 1/2" x 1 1/4" - requires 5/16" hex key	Stainless Steel	1/8 lbs
6	2	Button Head Bolt 3/8" x 1"	Hexagon Socket Button Head Cap Bolt 3/8" x 1" - requires 7/32" hex key	Stainless Steel	
7	2	O-Ring 3/8"	Nitrile Rubber O-Ring 3/8"	Nitrile Rubber	
8	2	Hex Nut Nylon Lock 3/8"	Hex Nut Nylon Lock 3/8" - requires 9/16" wrench	Steel Plated Nylon Lock	
9	1	Padlock (Optional)	Optional Padlock (Brass or Stainless Steel)	Choice of Brass or Stainless Steel	5/8 lbs

General Description:

The R-7903 Bike Bollard offers versatile design and functionality. Bike-locking arms are bolted internally to ensure secure storage for cyclists. Locking arms can also be used to assist in removal and transport for removable applications. R-7903 Bike Bollards are made from carbon steel with welded annular rings and powder coated in 1 of 6 custom colors. Select from a range of mounting options: bolt-down flange, in-ground embed, fold-down and removable mountings.

For more information on bollard post installation, please visit: www.reliance-foundry.com/bollard/installation-bollards

Specifications:

Height: 36" (Above Grade)

Base Diameter: 4 3/8"

Weight: 38 lbs (Bollard Post Full Length)

Material: Steel Body w/ 316 Stainless Steel Bike Arms

Bollard Body Finish Options:

- Polyester Powdercoated
See Reliance Foundry's standard color options at www.reliance-foundry.com/bollard/colors-bollards

Bike Arm Finish Options:

- R-7903 Bike Arms Polyester Powdercoated
- R-7903-RSA Bike Arms Without Powdercoating

Mount Options:

- Removable Receiver with Lid (see sheet 2 of 6)
- Removable Receiver with Chain (see sheet 3 of 6)
- Fixed Embedded Mount (see sheet 4 of 6)
- Flanged Surface Mount (see sheet 5 of 6)
- ✓ Fold Down Mount (see sheet 6 of 6)

RELIANCE FOUNDRY
SINCE 1925

Unit 207, 6450 - 148 Street, Surrey, BC V3S 7G7, Canada
1-888-735-5680 info@reliance-foundry.com
www.reliance-foundry.com

Bike Bollard R-7903 (RSA)

SIZE	DWG NO	REV
C	R-7903 (RSA)	C2