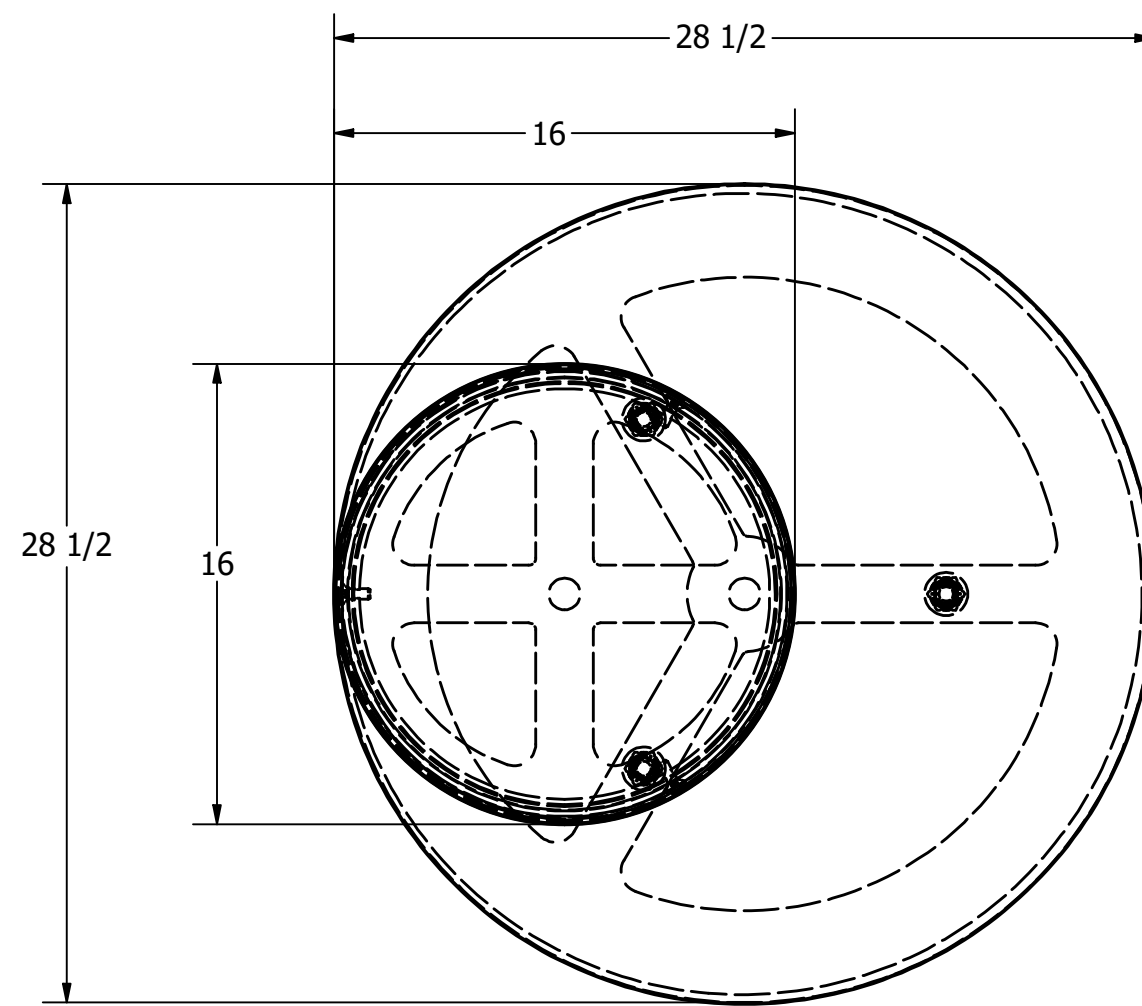


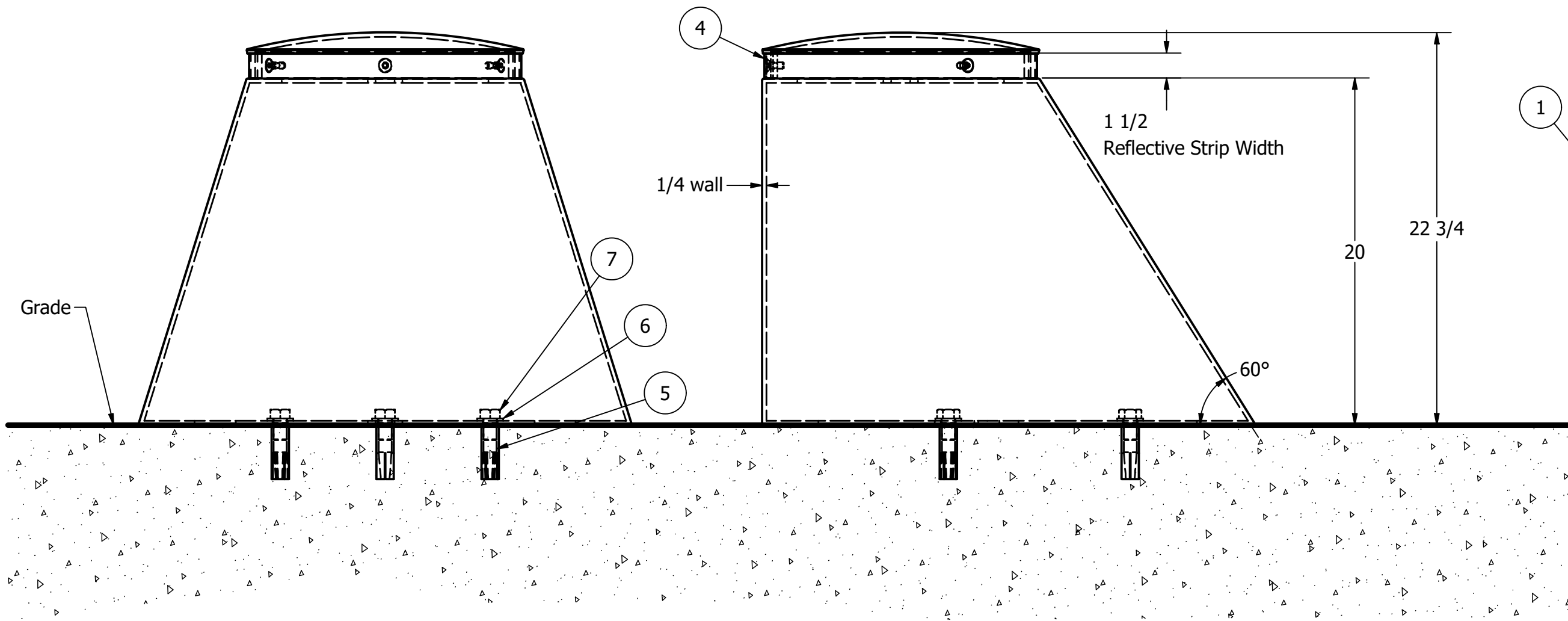
Align holes on Cap and Base, secure Cap with 3/8" countersunk screws, then cover with self-adhesive reflective tape



Top View

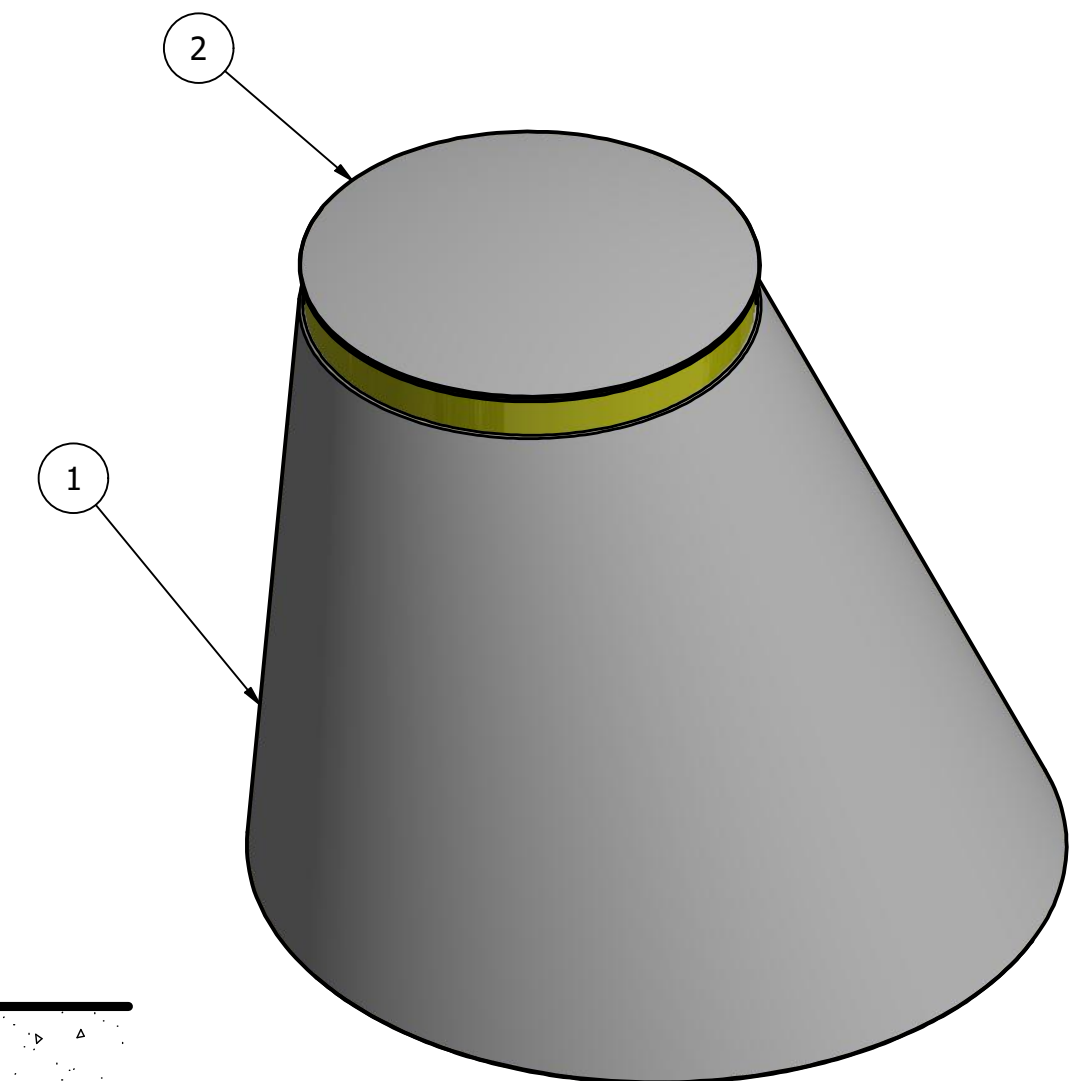
R-7661 Surface Mount Martello Bollard

The R-7661 Martello Bollard offers a unique blend of functionality and aesthetics--designed to draw vehicle attention and protect pedestrian areas. Conceptualized by Billings Jackson Design, its obtuse shape is modeled after historic Martello towers once prized as defensive outposts due to their solid form and construction. R-7661 bollards are surface mounted for easy installation. They define perimeters that are solely visual and offer little impact resistance. Steel construction comes powder coated in 1 of 6 standard colors. Copyright Billings Jackson Design.



Front View

Side View



Isometric View

| PARTS LIST | | | | | | |
|------------|-----|---|--|-----------------|---------|--|
| ITEM | QTY | PART NUMBER | DESCRIPTION | MATERIAL | WEIGHT | |
| 1 | 1 | R7661B | Bollard Base | Steel A36 | 140 lbs | |
| 2 | 1 | R7661C | Bollard Cap | Steel A36 | 20 lbs | |
| 3 | 3 | Hexagon Socket Flat Countersunk Screw 3/8" x 1" | Hexagon Socket Flat Countersunk Screw 3/8" x 1" - requires 5/16" hex key | Stainless Steel | | |
| 4 | 1 | Self-adhesive Reflective Tape 1 1/2" | Self-adhesive Reflective Tape 1 1/2" | | | |
| 5 | 3 | Drop-in Concrete Insert 3/4" | Drop-in Concrete Insert 3/4" - requires 1" x 3 1/8" hole (dia. x depth) | Steel Plated | 1/2 lbs | |
| 6 | 3 | Washer 3/4" OD 1 1/2" | Washer 3/4" OD 1 1/2" Thick 1/8" | Steel Plated | | |
| 7 | 3 | Hex Bolt 3/4" x 1 1/4" | Hex Bolt 3/4" x 1 1/4" - requires 1 1/8" wrench | Steel Plated | 1/4 lbs | |

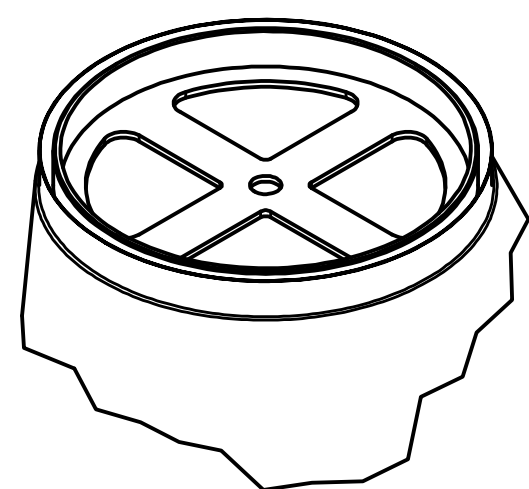
RELIANCE FOUNDRY
SINCE 1925

Unit 207, 6450 - 148 Street, Surrey, BC V3S 7G7, Canada
1-877-789-3245 info@reliance-foundry.com
www.reliance-foundry.com

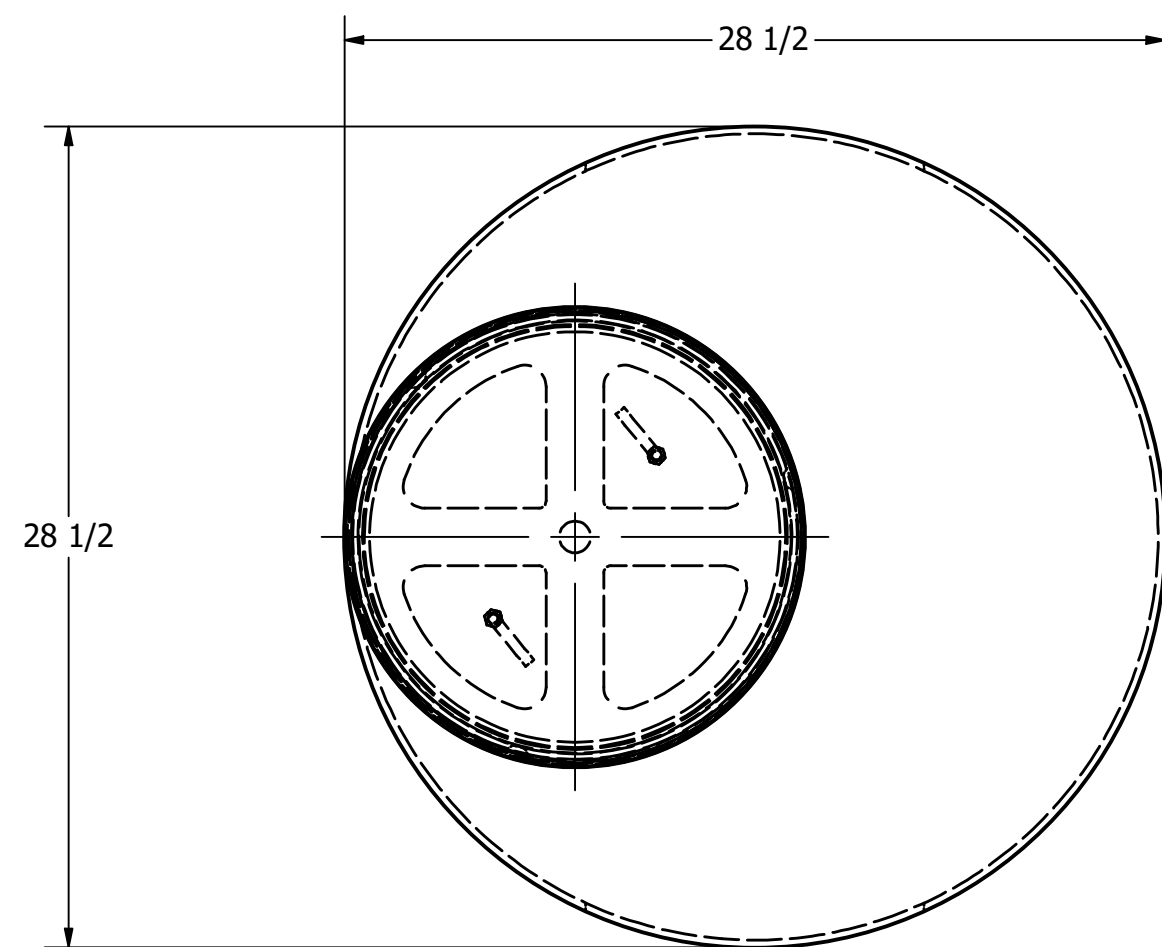
| | | | |
|--------------------------------|--------|-----|--|
| TITLE | | | |
| Martello Bollard R-7661 | | | |
| SIZE | DWG NO | REV | |
| C | R7661 | D3 | |

COPYRIGHT RESERVED THIS PLAN DRAWING AND DESIGN ARE, AND AT ALL TIMES REMAIN, THE EXCLUSIVE PROPERTY OF RELIANCE FOUNDRY CO., LTD.

SHEET 1 OF 1



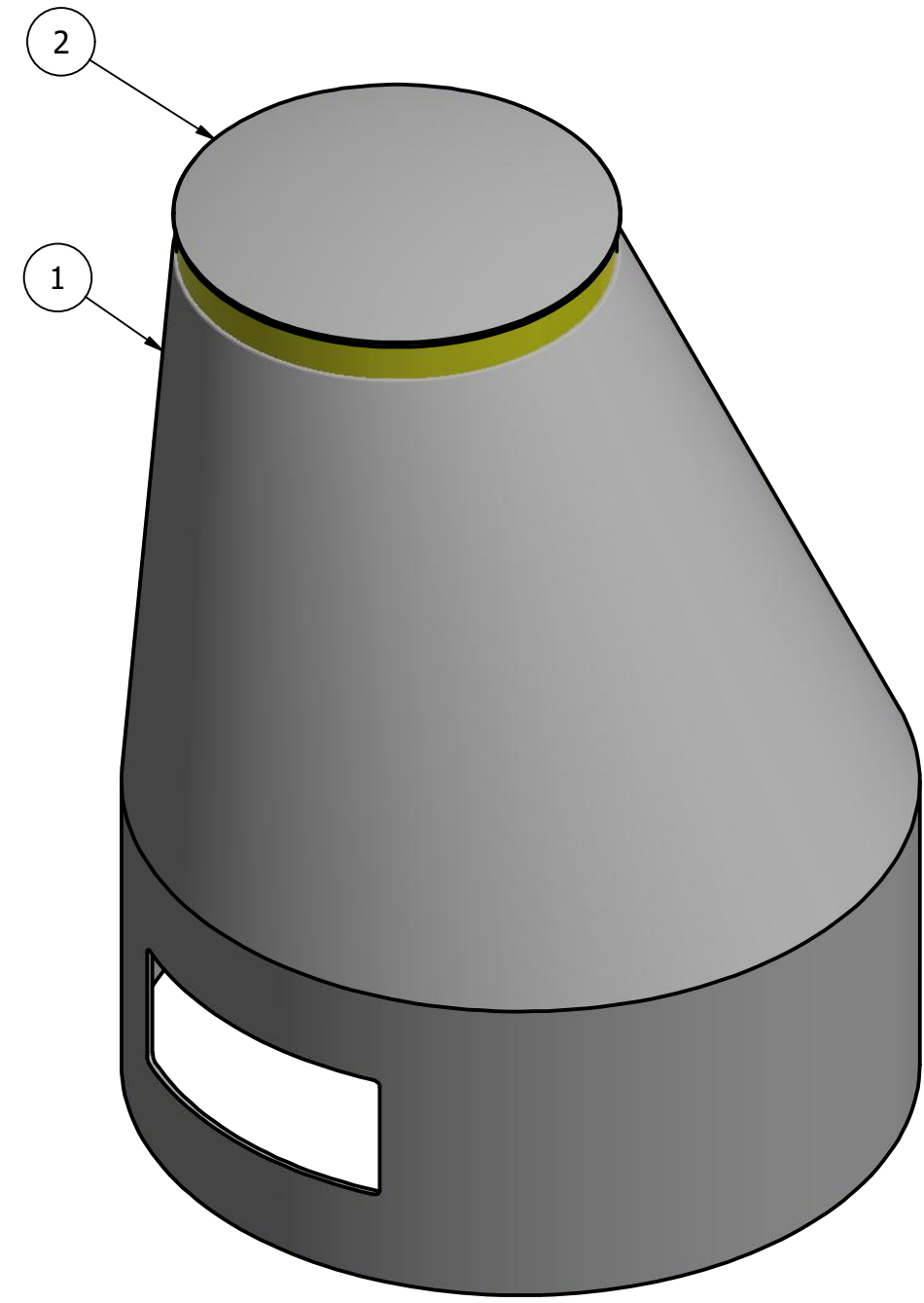
Isometric Top View Without Cover



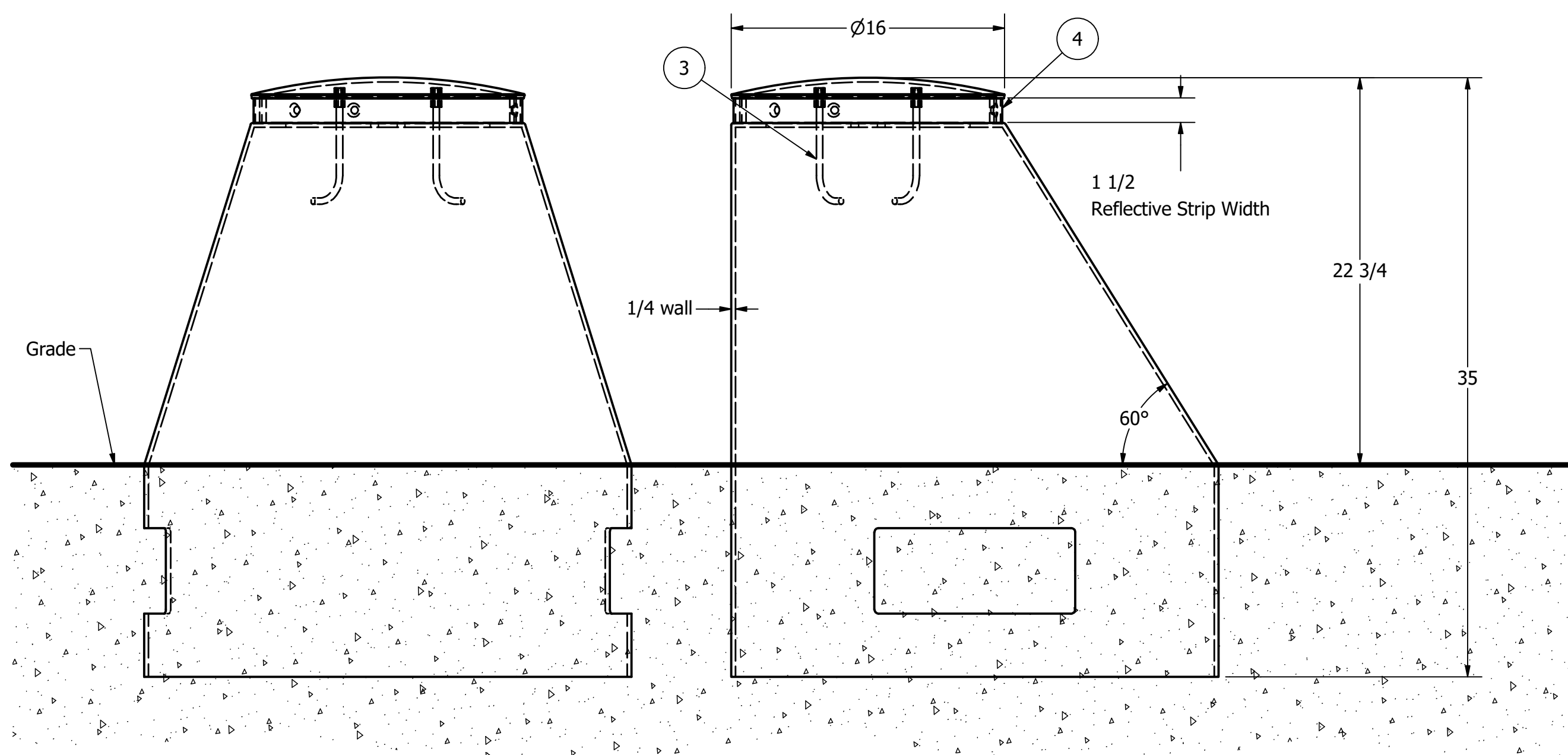
Top View

R-7661-EM Embedded Mount Martello Bollard

The R-7661-EM Martello Bollard offers a unique blend of functionality and aesthetics--designed to draw vehicle attention and protect pedestrian areas. Conceptualized by Billings Jackson Design, its obtuse shape is modelled after historic Martello towers once prized as defensive outposts due to their solid form and construction. R-7661-EM bollards are embedded in ground to ensure a high level of impact protection. Steel construction comes powder coated in 1 of 6 standard colors. Copyright Billings Jackson Design.



Isometric View



Front View

Side View

- How to install:
- 1) Attach concrete anchor to bollard cover
 - 2) Fill bollard with concrete
 - 3) Fit bollard cover onto bollard body and set anchor in wet concrete
 - 4) Install reflective strip

| PARTS LIST | | | | | |
|------------|-----|--------------------------------------|--------------------------------------|-----------|---------|
| ITEM | QTY | PART NUMBER | DESCRIPTION | MATERIAL | WEIGHT |
| 1 | 1 | R7661EMB | Bollard Base | Steel A36 | 190 lbs |
| 2 | 1 | R7661EMC | Bollard Cap | Steel A36 | 20 lbs |
| 3 | 2 | J Bolt 3/8" x 6 1/2" | J Bolt 3/8" x 6 1/2" | Steel | 1/4 lbs |
| 4 | 1 | Self-adhesive Reflective Tape 1 1/2" | Self-adhesive Reflective Tape 1 1/2" | | |

RELIANCE FOUNDRY
— SINCE 1925 —

Unit 207, 6450 - 148 Street, Surrey, BC V3S 7G7, Canada
1-877-789-3245 info@reliance-foundry.com
www.reliance-foundry.com

TITLE: **Martello Bollard R-7661-EM**

| | | |
|------|---------|-----|
| SIZE | DWG NO | REV |
| C | R7661EM | D3 |