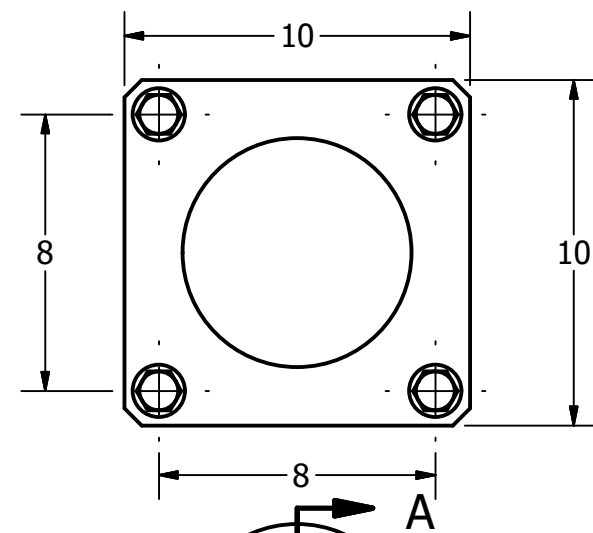


Bollard R-7648



- 1) Use hammer drill to make hole 1" dia. x 3 1/8" depth.
- 2) Clean drill hole of debris.
- 3) Insert drop-in anchor into hole
- 4) Use hammer and setting tool to drive plug down.
- 5) Secure bollard base with 3/4" washer and 3/4" bolt.

General Description:

The R-7648 Bolt Down Bollard is a larger sized bollard at 48" tall for added visibility and security. Easy to install and relocate-both indoors and out. Made from powder-coated steel, it features a wide surface flange for effective stability. Pre-drill holes in existing concrete and bolt flange onto secured drop-in anchors. Select from 6 color options.

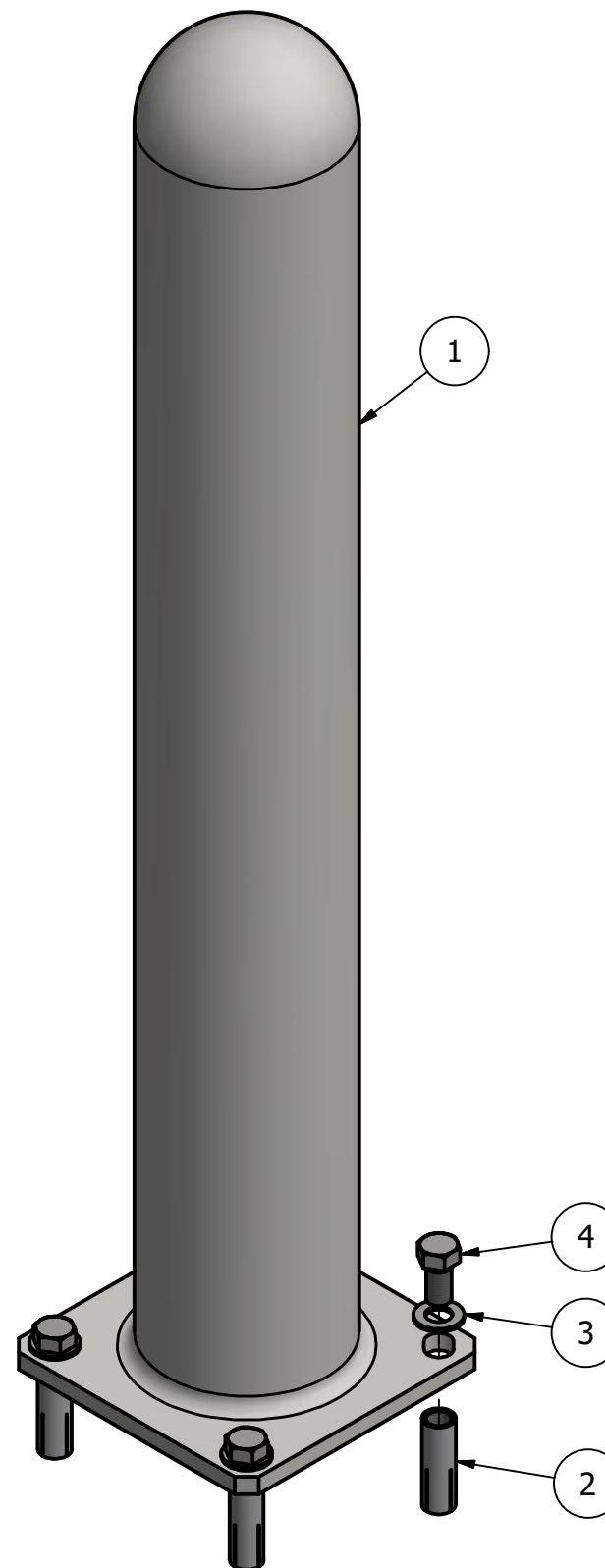
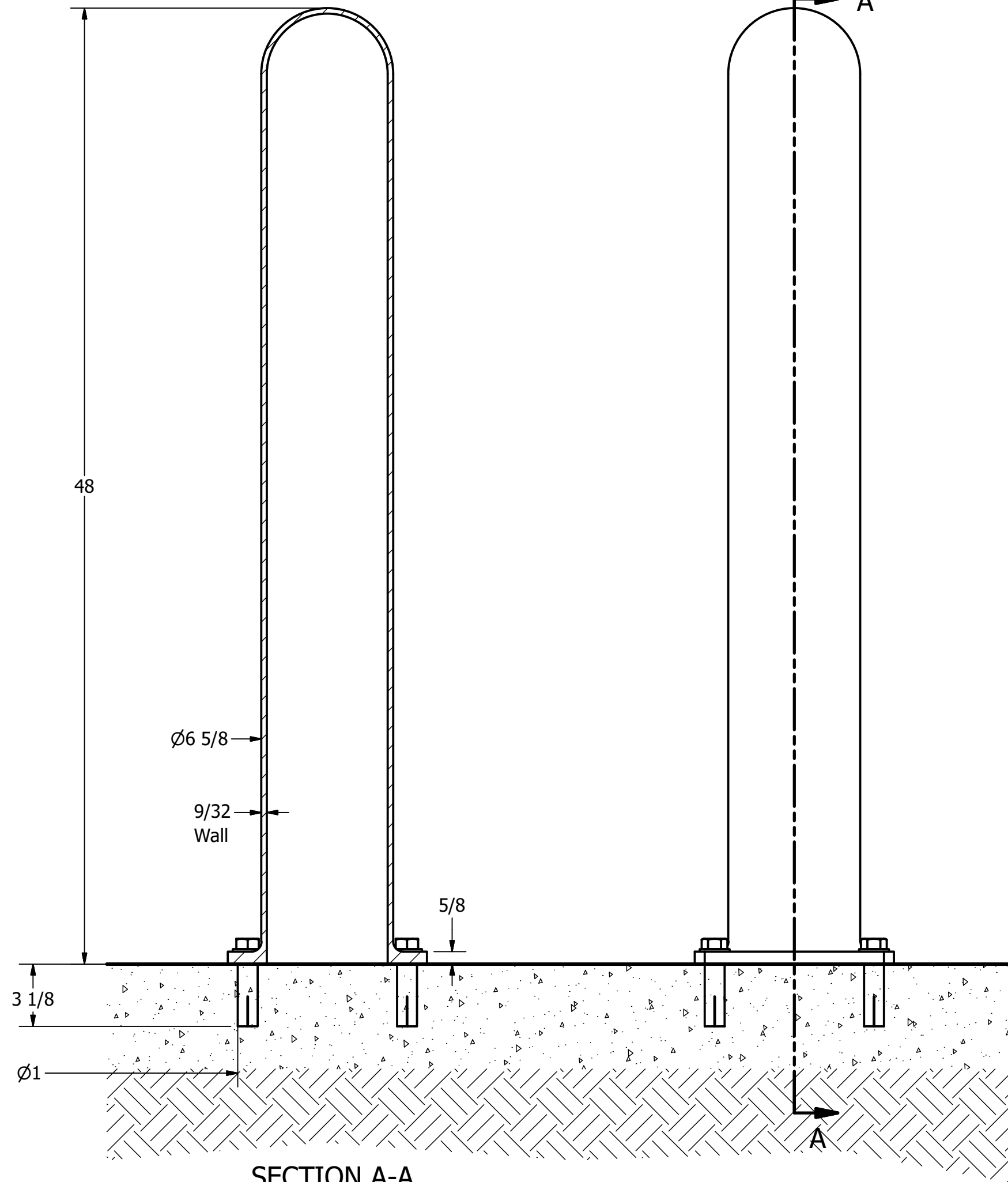
Specifications:

Height: 48"
 Diameter: 6 5/8"
 Weight: 87 lbs
 Material: Steel (ASTM A36)

Finish Options:

- ⊙ Polyester Powdercoated

See Reliance Foundry's standard color options at:
www.reliance-foundry.com/bollard/colors-bollards



- Tools needed:
- 1) Measuring tape
 - 2) 1 1/8" wrench
 - 3) Hammer drill
 - 4) 1" Masonry drill bit
 - 5) Hammer
 - 6) Drop-in concrete insert setting tool

SECTION A-A

PARTS LIST

| ITEM | QTY | PART NUMBER | DESCRIPTION | MATERIAL | WEIGHT |
|------|-----|------------------------------|---|---------------------|---------|
| 1 | 1 | R-7648 | R7648 Bollard | Steel Powder Coated | 87 lbs |
| 2 | 4 | Drop-in Concrete Insert 3/4" | Drop-in Concrete Insert 3/4" - requires 1" x 3 1/8" hole (dia. x depth) | Steel Plated | 1/2 lbs |
| 3 | 4 | Stainless Steel Washer 3/4" | Stainless Steel Washer 3/4" OD 1 1/2" Thick .12" | Stainless Steel | |
| 4 | 4 | Hex Bolt 3/4" x 1 1/2" | Hex Bolt 3/4" x 1 1/2" - requires 1 1/8" wrench | Stainless Steel | 1/4 lbs |

RELIANCE FOUNDRY
 SINCE 1925

Unit 207, 6450 - 148 Street, Surrey, BC V3S 7G7, Canada
 1-877-789-3245 info@reliance-foundry.com
www.reliance-foundry.com

TITLE

Bollard R-7648

SIZE
C

DWG NO
R7648

REV
C1