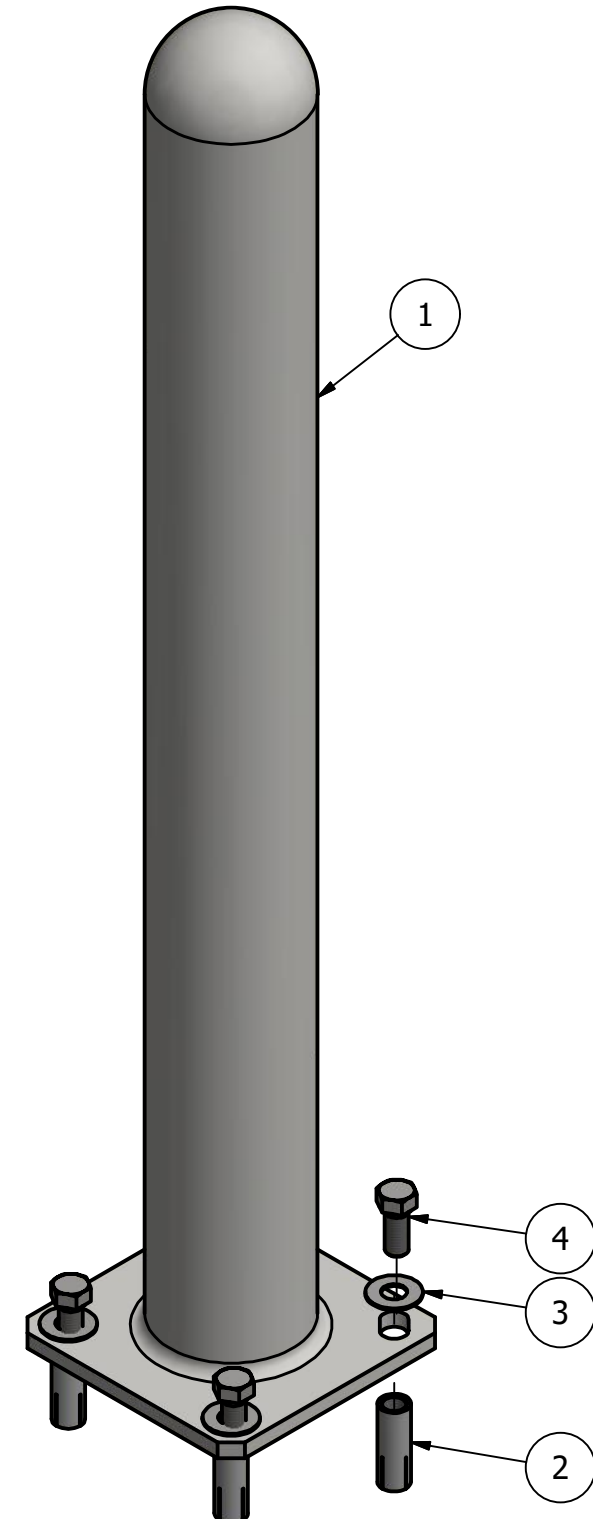
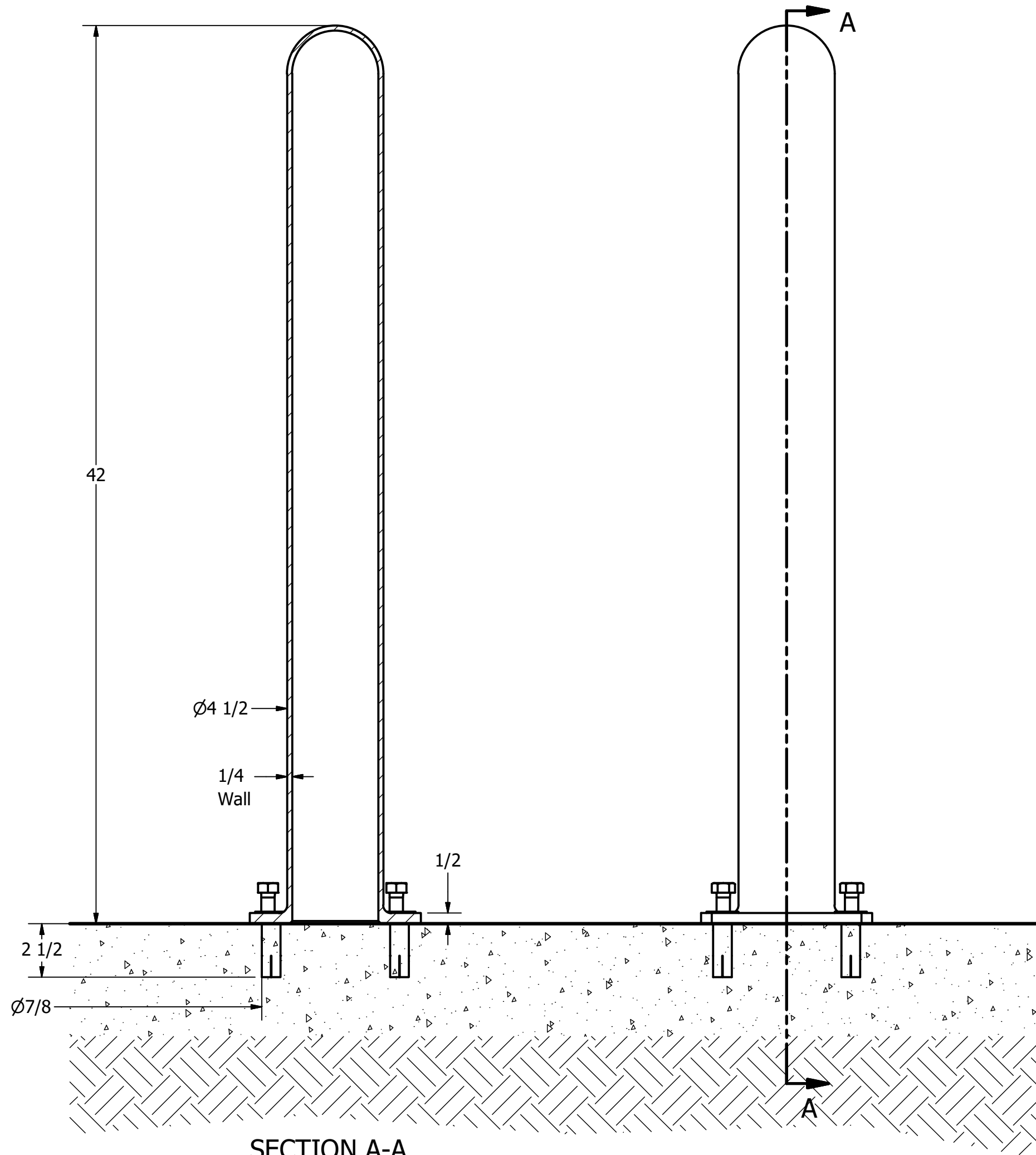
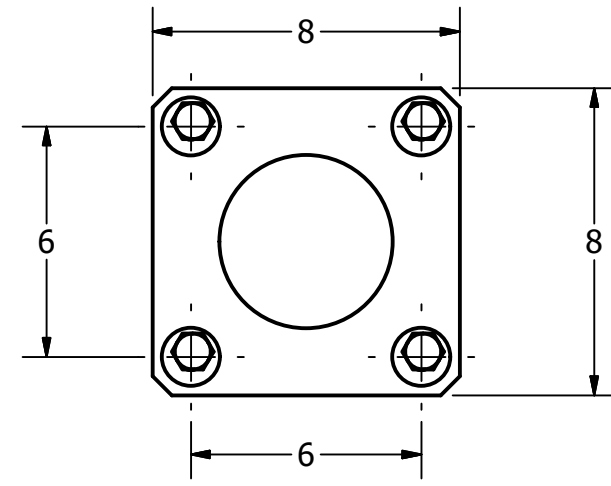


Bollard R-7242



- Tools needed:
- 1) Measuring tape
 - 2) 15/16" wrench
 - 3) Hammer drill
 - 4) 7/8" Masonry drill bit
 - 5) Hammer
 - 6) Drop-in concrete insert setting tool

General Description:

The R-7242 Bolt Down Bollard is easy to install and relocate-both indoors and out. Made from powder-coated steel, it features a wide surface flange for effective stability. Pre-drill holes in existing concrete and bolt flange into secured drop-in anchors. Select from 6 color options.

Specifications:

- Height: 42"
- Diameter: 4 1/2"
- Weight: 45 lbs
- Material: Steel (ASTM A36)

Finish Options:

- ☉ Polyester Powdercoated
- See Reliance Foundry's standard color options at:
www.reliance-foundry.com/bollard/colors-bollards

SECTION A-A

PARTS LIST

ITEM	QTY	PART NUMBER	DESCRIPTION	MATERIAL	WEIGHT
1	1	R-7242	R7242 Bollard	Steel Powder Coated	45 lbs
2	4	Drop-in Concrete Insert 5/8"	Drop-in Concrete Insert 5/8" - requires 7/8" x 2 1/2" hole (dia. x depth)	Steel Plated	1/4 lbs
3	4	Stainless Steel Washer 5/8"	Stainless Steel Washer 5/8" OD 1 1/2" Thick .06"	Stainless Steel	
4	4	Hex Bolt 5/8" x 1 1/2"	Hex Bolt 5/8" x 1 1/2" - requires 15/16" wrench	Stainless Steel	1/4 lbs



Unit 207, 6450 - 148 Street, Surrey, BC V3S 7G7, Canada
 1-888-735-5680 info@reliance-foundry.com
www.reliance-foundry.com

Bollard R-7242

SIZE	DWG NO	REV
C	R7242	C2