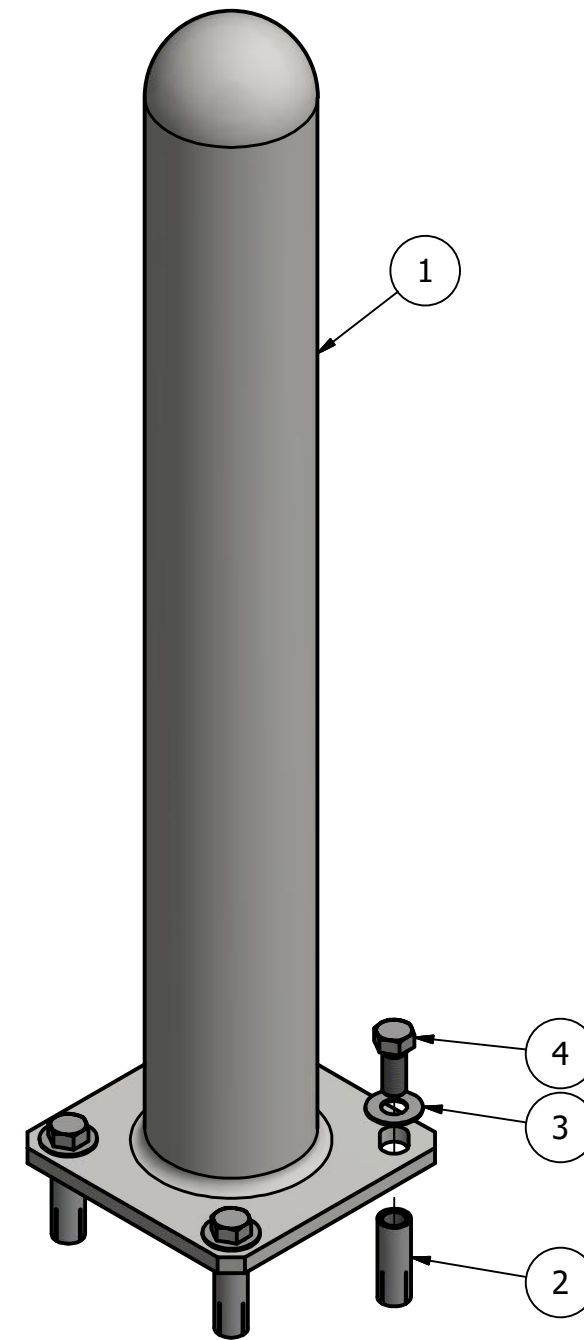
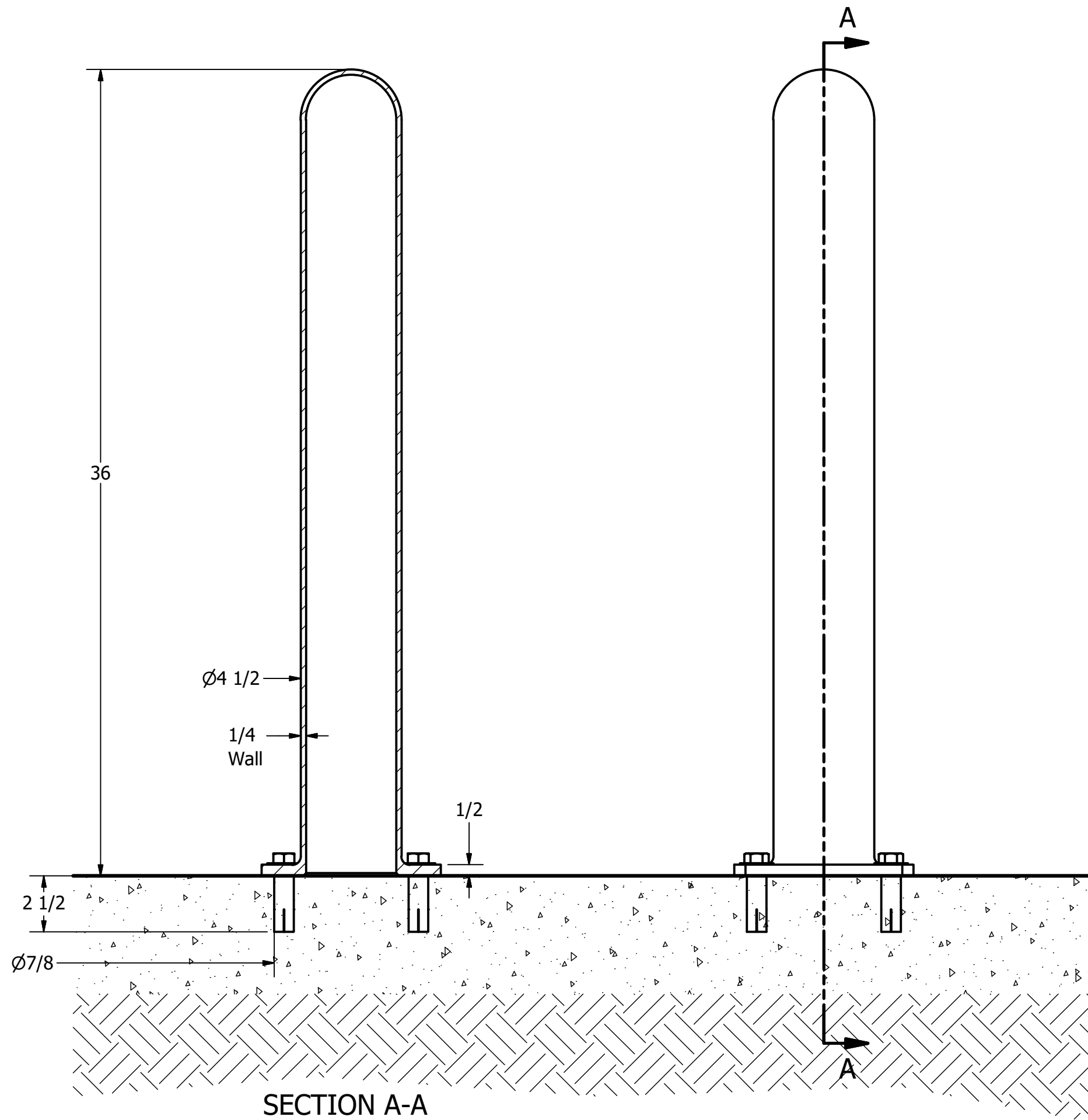
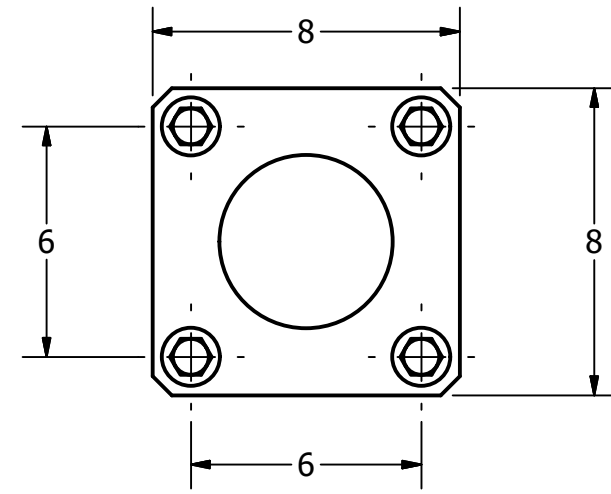


Bollard R-7236



- Tools needed:
- 1) Measuring tape
 - 2) 15/16" wrench
 - 3) Hammer drill
 - 4) 7/8" Masonry drill bit
 - 5) Hammer
 - 6) Drop-in concrete insert setting tool

General Description:

The R-7236 Bolt Down Bollard is easy to install and relocate-both indoors and out. Made from powder-coated steel, it features a wide surface flange for effective stability. Pre-drill holes in existing concrete and bolt flange into secured drop-in anchors. Select from 6 color options.

Specifications:

Height: 36"
 Diameter: 4 1/2"
 Weight: 40 lbs
 Material: Steel (ASTM A36)

Finish Options:

- ☉ Polyester Powdercoated

See Reliance Foundry's standard color options at:
www.reliance-foundry.com/bollard/colors-bollards

RELIANCE FOUNDRY
 SINCE 1925

Unit 207, 6450 - 148 Street, Surrey, BC V3S 7G7, Canada
 1-888-735-5680 info@reliance-foundry.com
www.reliance-foundry.com

TITLE

Bollard R-7236

SIZE
C

DWG NO
R7236

REV
C2

| PARTS LIST | | | | | |
|------------|-----|------------------------------|---|---------------------|---------|
| ITEM | QTY | PART NUMBER | DESCRIPTION | MATERIAL | WEIGHT |
| 1 | 1 | R-7236 | R7236 Bollard | Steel Powder Coated | 40 lbs |
| 2 | 4 | Drop-in Concrete Insert 5/8" | Drop-in Concrete Insert 5/8" - requires 7/8" x 2 1/2" hole (dia. x depth) | Steel Plated | 1/4 lbs |
| 3 | 4 | Stainless Steel Washer 5/8" | Stainless Steel Washer 5/8" OD 1 1/2" Thick .06" | Stainless Steel | |
| 4 | 4 | Hex Bolt 5/8" x 1 1/2" | Hex Bolt 5/8" x 1 1/2" - requires 15/16" wrench | Stainless Steel | 1/4 lbs |

COPYRIGHT RESERVED THIS PLAN DRAWING AND DESIGN ARE, AND AT ALL TIMES REMAIN, THE EXCLUSIVE PROPERTY OF RELIANCE FOUNDRY CO. LTD.

NOT TO SCALE

SHEET 1 OF 1