

Asset Protection Bollard R-7182

- Drop-in Anchor Installation:
- 1) Use a carbide tip drill bit (conforming to ANSI B 212.15) to drill 5/8" x 2" hole (dia. x depth)
 - 2) Clean drill hole of debris
 - 3) Insert anchor into drill hole
 - 4) Use hammer and proper setting tool to drive plug down
 - 5) Fasten 1/2" hex socket button head bolt

General Description:

The R-7182 Bolt Down Bollard is easy to install and relocate-both indoors and out. Its internal mounting collar eliminates tripping hazards and obstruction in areas with regular foot traffic. R-7182 bollards are made from high-quality 316-grade stainless steel to withstand weathering and corrosion. Secure mounting collar with drop-in anchor and affix bollard with 3 button-head screws.

For more information on bollard post installation, please visit:
www.reliance-foundry.com/bollard/installation-bollards

Specifications:

Height: 24"

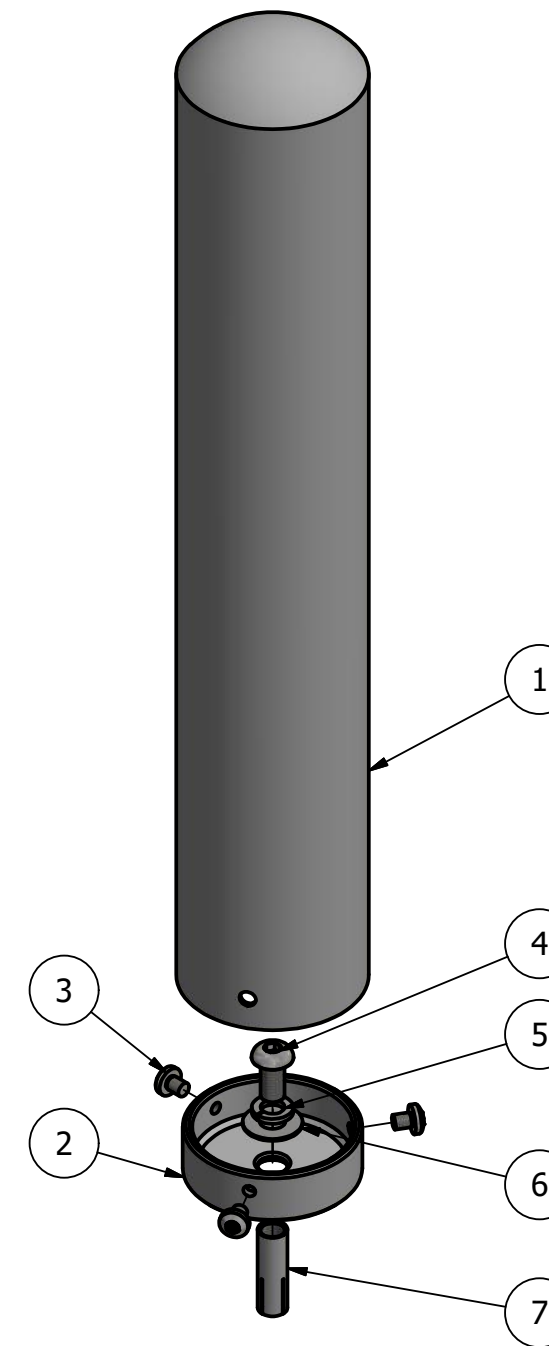
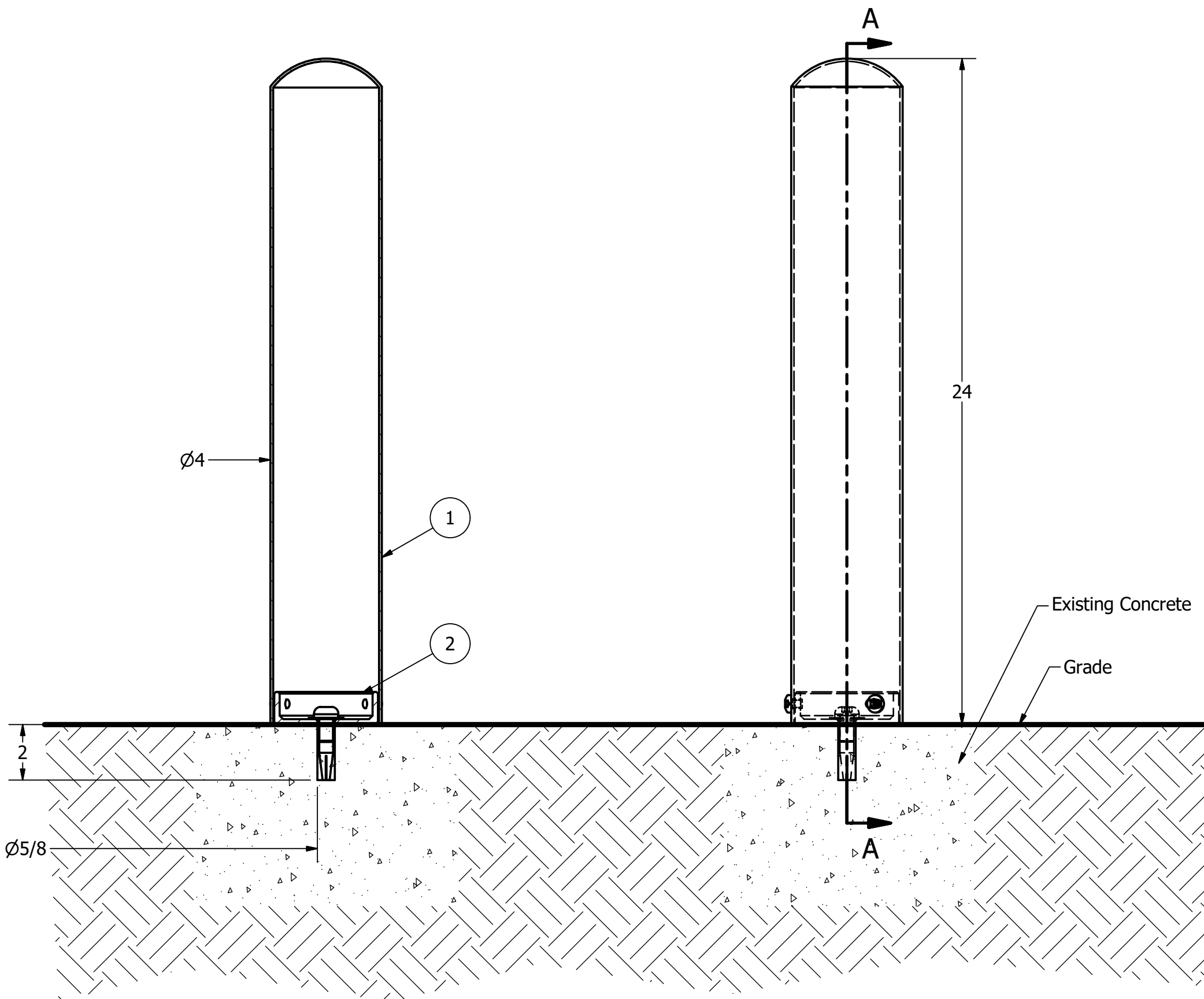
Diameter: 4"

Weight: 12 lbs (Bollard Cover and Anchor)

Material: Stainless Steel AISI 316

Finish Options:

- ⊙ Polished with a satin surface finish
 - Available polyester Powdercoated option
- See Reliance Foundry's standard color options at
www.reliance-foundry.com/bollard/colors-bollards



Notes:

- Embedment details are for reference illustration only. Minimum foundation sizes depend on local soil conditions, weather conditions and engineering requirements.
- Bollard is provided as shown with parts listed below. Concrete foundation and/or installation not provided by Reliance Foundry.
- This drawing is not drawn to scale. Dimensions provided herein are for reference only. Please consult Reliance Foundry sales professionals if any dimension is critical to your particular installation.
- Reliance Foundry reserves the right to amend design and specifications without prior notice for product improvement.

PARTS LIST						
ITEM	QTY	PART NUMBER	DESCRIPTION	MATERIAL	WEIGHT	
1	1	R7182C	R7182 Asset Protection Bollard Cover	Stainless Steel	10 lbs	
2	1	R7182A	R7182 Asset Protection Bollard Anchor	Stainless Steel	2 lbs	
3	3	Torx Head Bolt Tamper Resistant M8 x 10	Torx Socket Button Head Cap Bolt Tamper Resistant M8 x 10 - requires special torx key	Stainless Steel		
4	1	Button Head Bolt 1/2" x 1"	Hexagon Socket Button Head Cap Bolt 1/2" x 1" - requires 5/16" hex key	Stainless Steel	1/8 lbs	
5	1	Stainless Steel Spring Washer 1/2"	Stainless Steel Helical Spring Lock Washer 1/2"	Stainless Steel		
6	1	Stainless Steel Washer 1/2"	Stainless Steel Washer 1/2" OD 1 1/4" Thick .05"	Stainless Steel		
7	1	Drop-in Concrete Insert 1/2"	Drop-in Concrete Insert 1/2" - requires 5/8" x 2" hole (dia. x depth)	Steel Plated	1/8 lbs	

RELIANCE FOUNDRY
SINCE 1925

Unit 207, 6450 - 148 Street, Surrey, BC V3S 7G7, Canada
 1-888-735-5680 info@reliance-foundry.com
www.reliance-foundry.com

TITLE			
Asset Protection Bollard R-7182			
SIZE	DWG NO	REV	
C	R7182	C2	