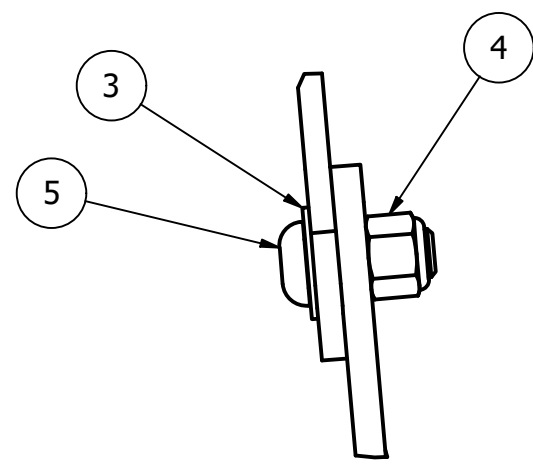
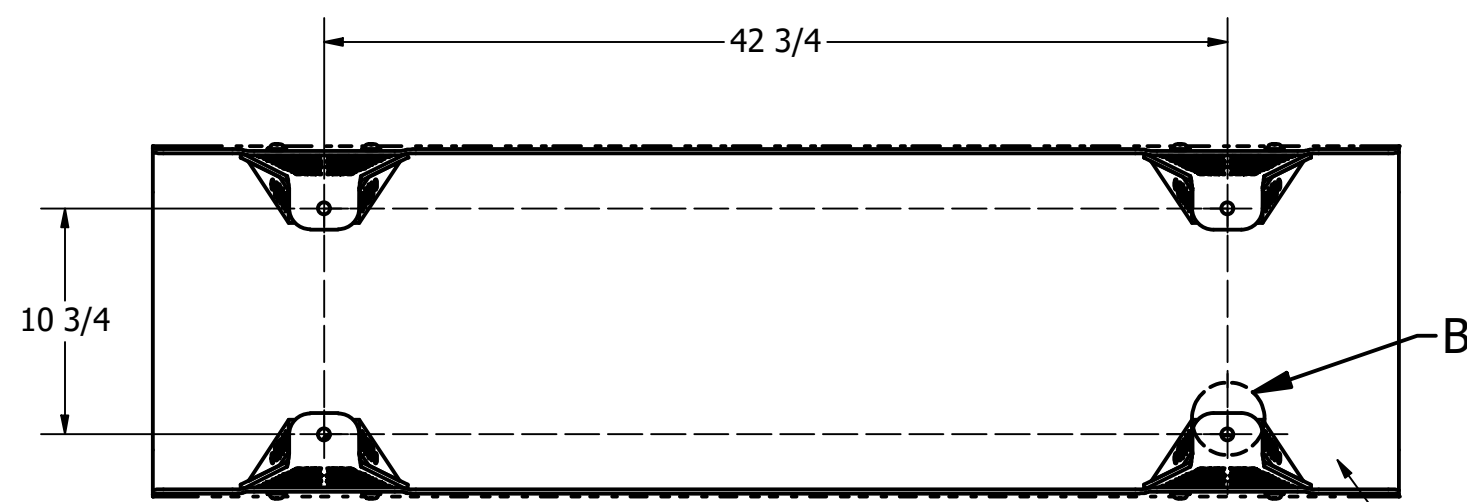
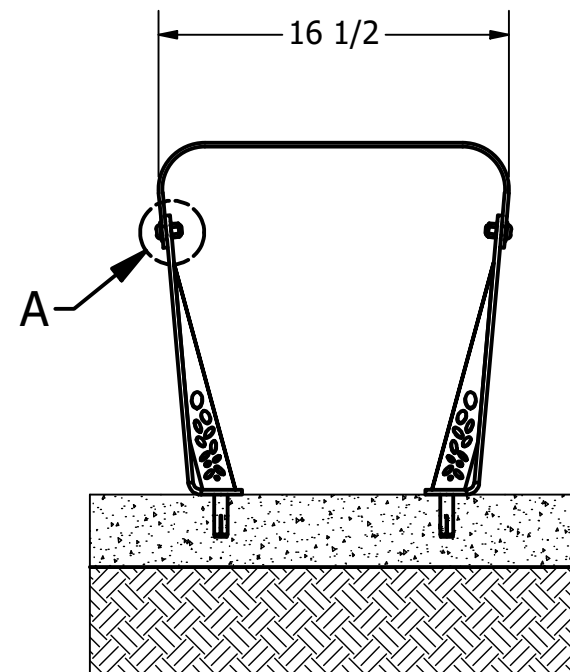
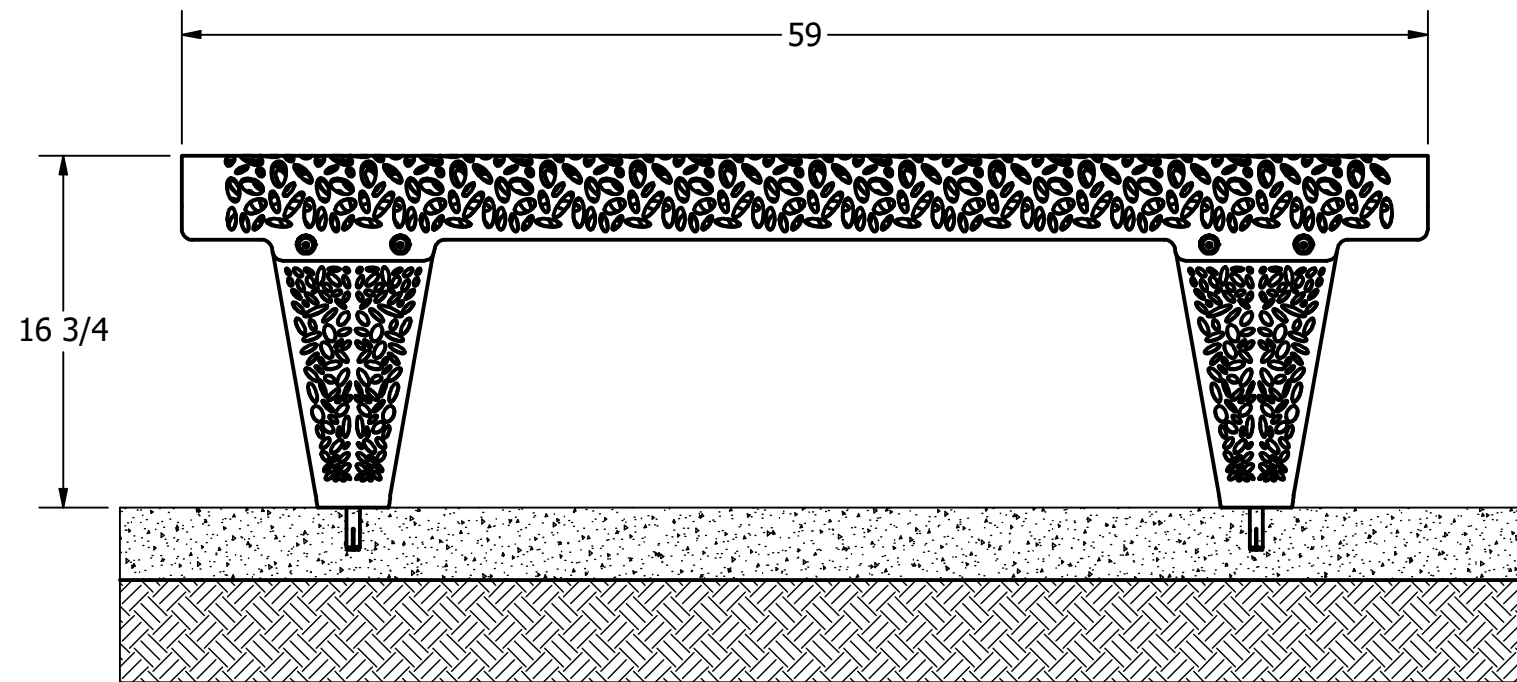
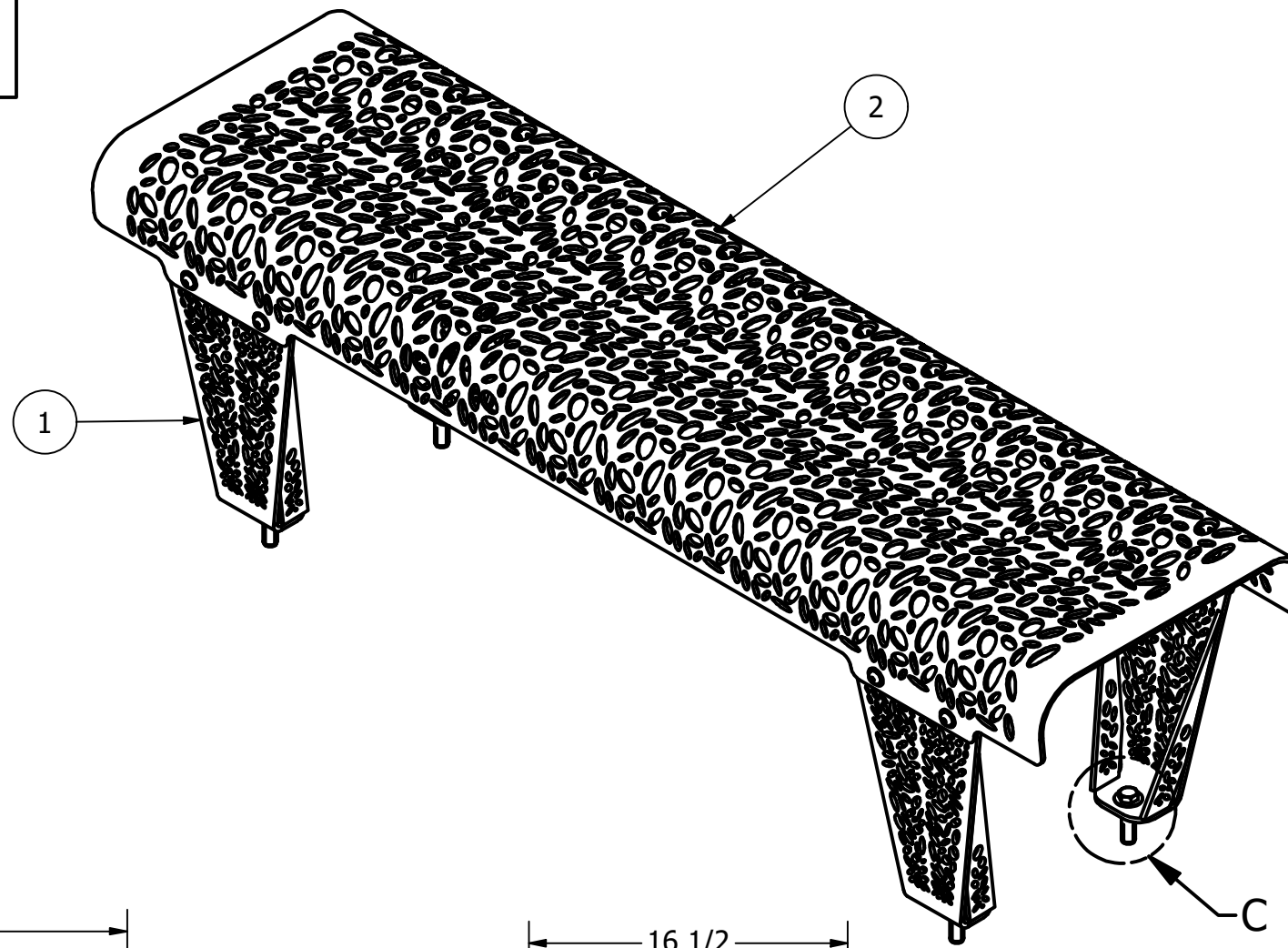


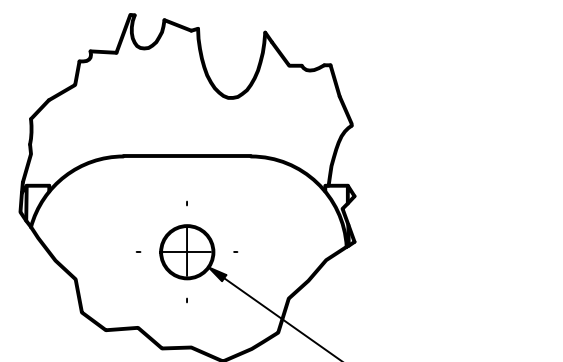
Newport Bench R-5505



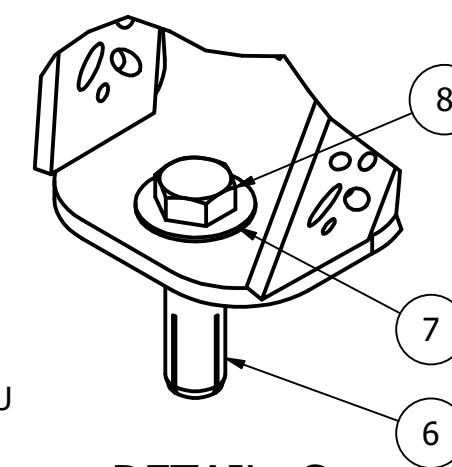
DETAIL A
SCALE 2:3



PATTERN HIDDEN FOR CLARITY



DETAIL B
SCALE 1 : 2
4 PLACES



DETAIL C
SCALE 1 : 2

General Description:

The R-5505 Newport aluminum benches have a floral design that provide a beautiful accent to garden or park spaces. Offer people a space to rest and enjoy their surroundings. Bolt-down installation is simple and works in either indoor or outdoor settings. The aluminum construction is protected by Reliance Foundry's IronArmor coating, which offers rich color with easy maintenance and field repair.

Specifications:

Height : 16 3/4"
 Depth : 16 1/2"
 Length : 59"
 Weight : 25.4 lbs
 Material : Aluminum 6061

Finish :

Powder Coating or IronArmor Protective Coating

PARTS LIST

ITEM	QTY	PART NUMBER	DESCRIPTION
1	4	R5505-01	NEWPORT BENCH LEG 5505
2	1	R5505-001	NEWPORT BENCH TOP 5505
3	8		STAINLESS STEEL WASHER 3/8"
4	8		STAINLESS STEEL LOCKNUT 3/8"
5	8		STAINLESS STEEL BUTTON HEAD BOLT 3/8" X 1"
6	4		DROP-IN CONCRETE ANCHOR 1/2"
7	4		STAINLESS STEEL WASHER 1/2"
8	4		HEX HEAD SCREW 1/2" X 1 1/2"

Notes:

1. Embedment details are for reference illustration only. Minimum foundation sizes depend on local soil weather conditions, and engineering requirements.
2. This drawing is not drawn to scale. Dimensions provided herein is for reference only. Please consult Reliance Foundry sales professionals if any dimension is critical to your particular installation.
3. Reliance Foundry reserves the right to amend design and specifications without prior notice for product improvement.

RELIANCE FOUNDRY
SINCE 1925

Unit 207, 6450 - 148 Street, Surrey, BC V3S 7G7, Canada
 1-877-789-3245 info@reliance-foundry.com
www.reliance-foundry.com

TITLE

Newport Bench R-5505

SIZE
C

DWG NO
R5505-00

REV
A00

NOT TO SCALE

SHEET 1 OF 1