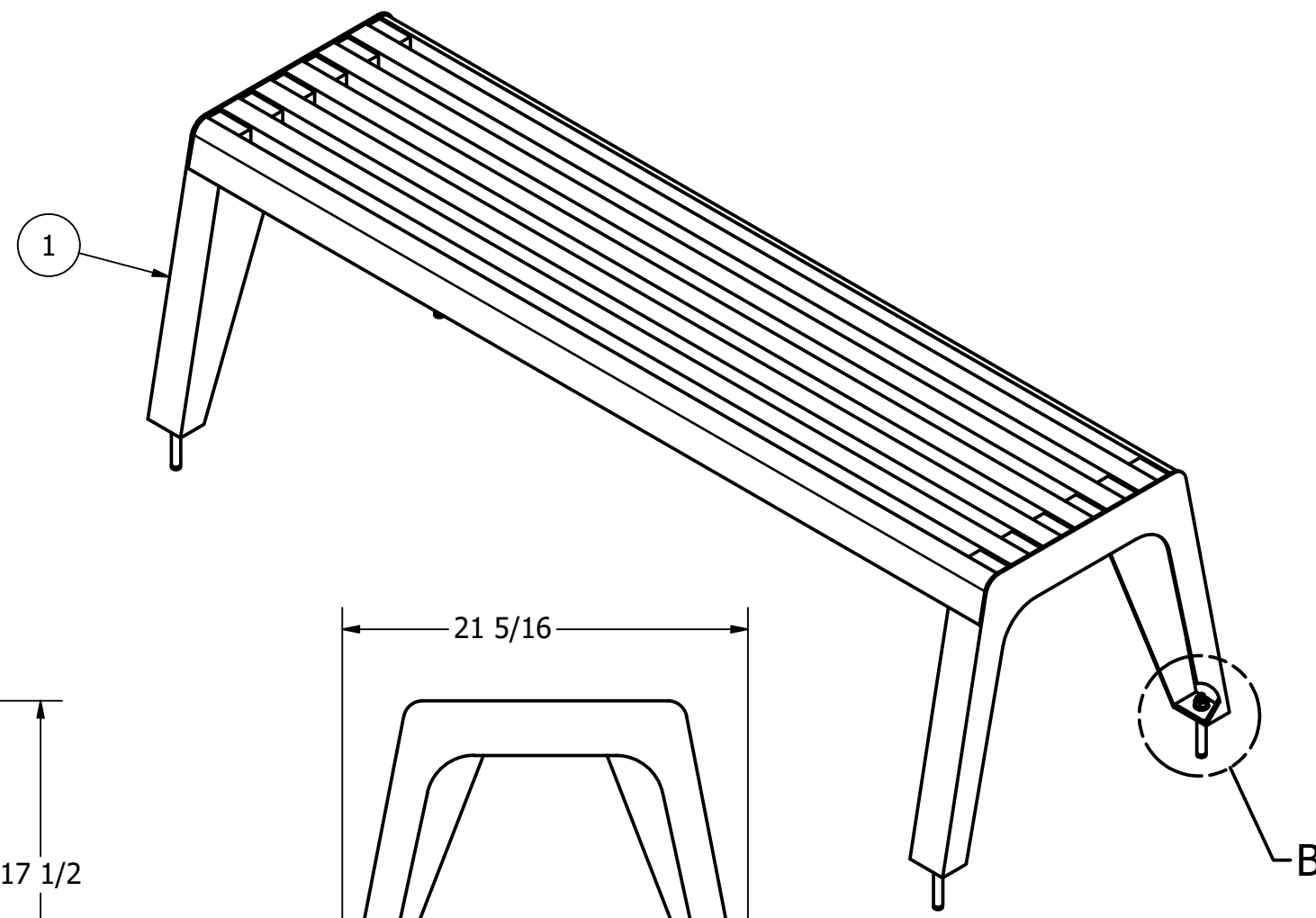


BENCH R-5501

1



General Description:

The R-5501 bench is an elegant yet comfortable option for inside or outside office buildings, shopping centers, residential complexes, and more. Choose from a bolt-down mounting, or simply place indoors with no installation needed.

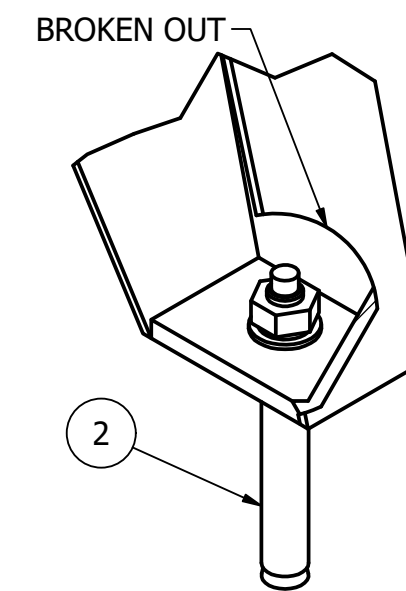
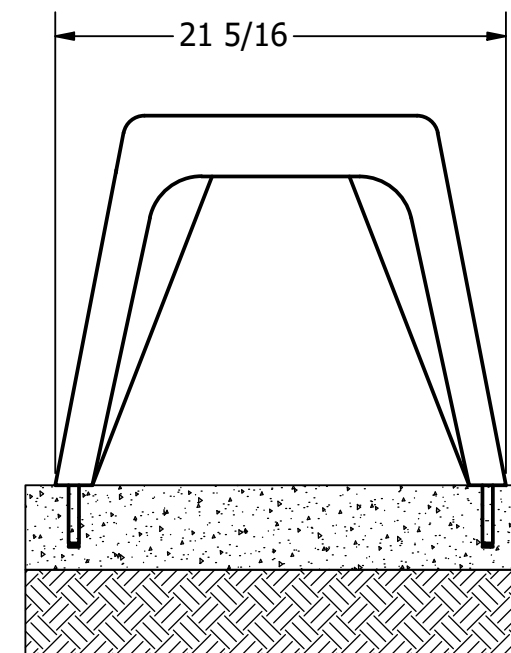
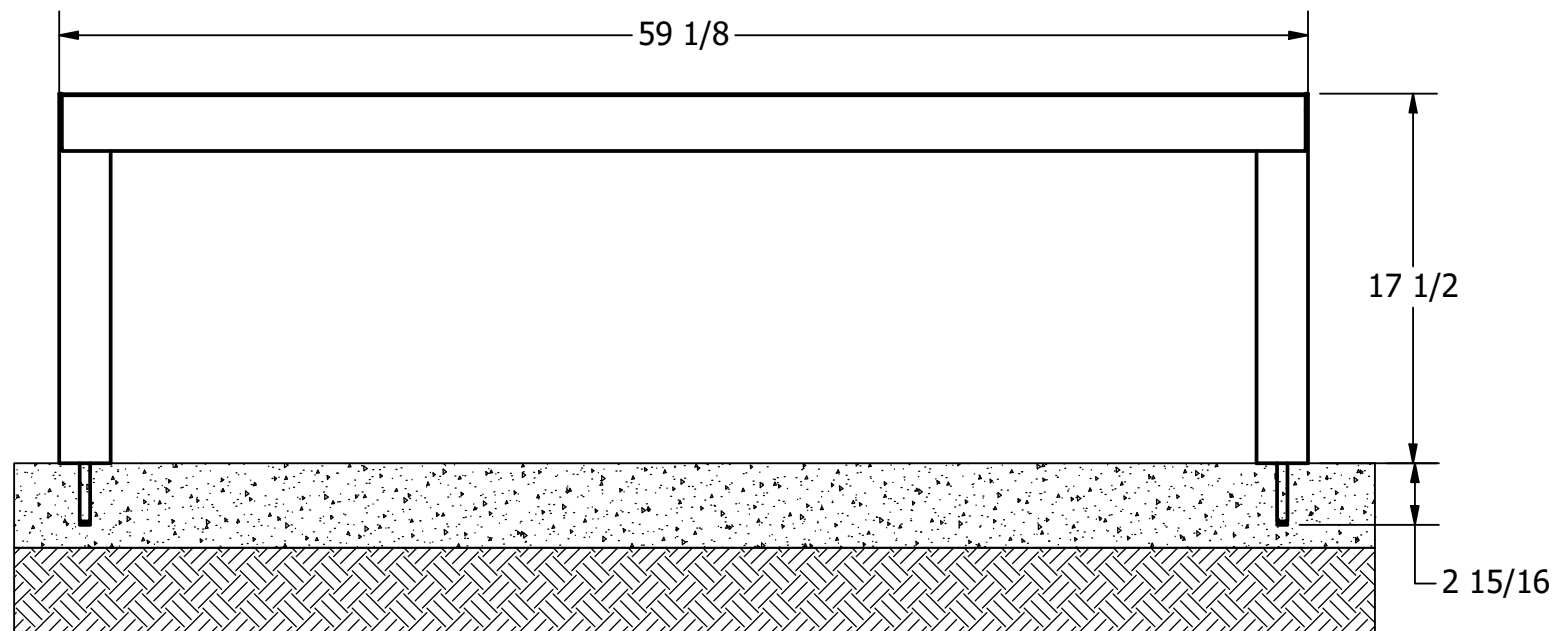
Crafted from solid balau wood slats and supported by a powder-coated steel frame, this versatile bench is designed to resist wear from weather, water, and rust. The backless style allows for the bench to be used facing either direction, an ideal option for parks, plazas, or corridor seating. Pair with the R-5001 waste bin for a cohesive, stylish aesthetic.

Specifications:

Height : 17 1/2"
 Width : 21 5/16"
 Weight : 75 lbs
 Material : STEEL, WOOD

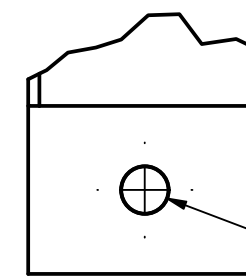
Finish

Traffic white powder coat / Mahogany wood stain



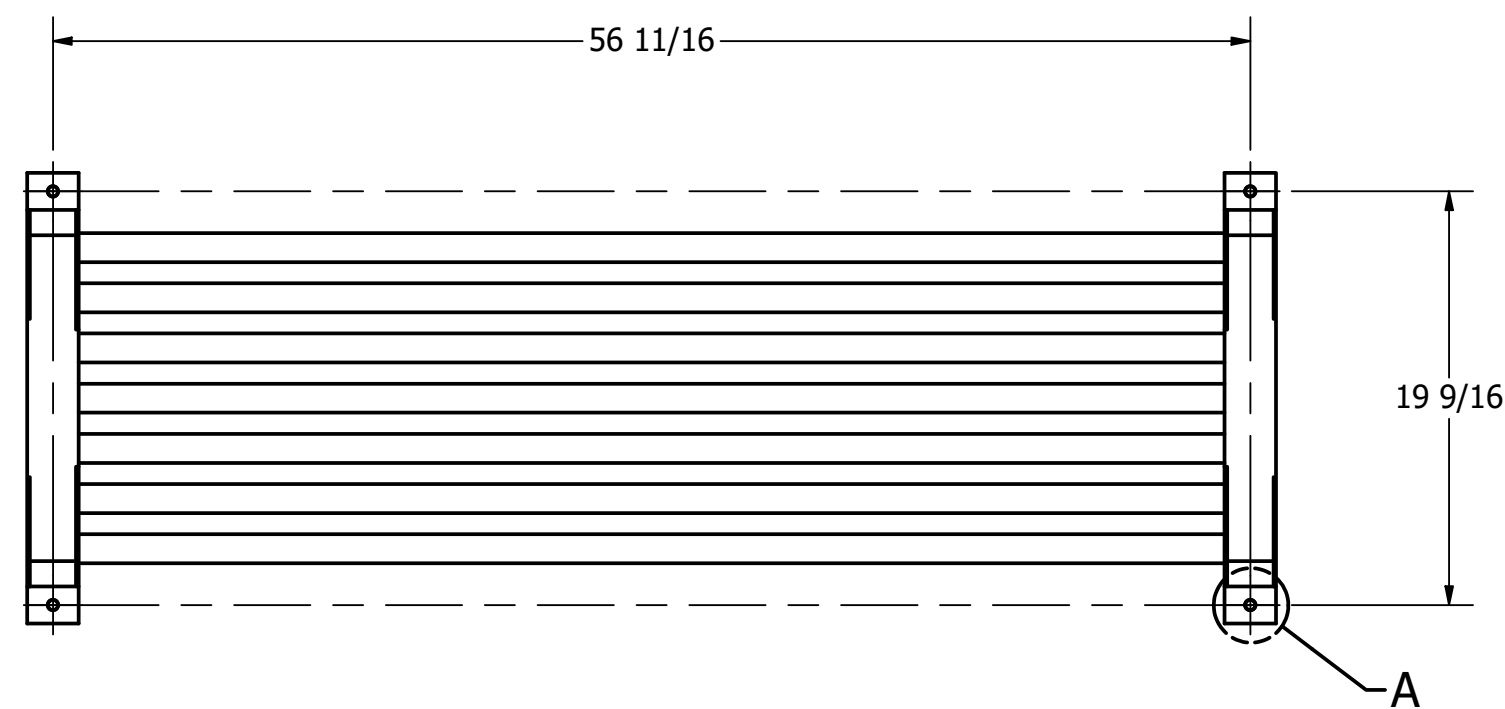
2

DETAIL B
SCALE 1 / 2



Ø1/2 THRU

DETAIL A
SCALE 1 / 2
4 PLACES



A

Notes:

1. Embedment details are for reference illustration only. Minimum foundation sizes depend on local soil and weather conditions, and engineering requirements.
2. This drawing is not drawn to scale. Dimensions provided herein is for reference only. Please consult Reliance Foundry sales professionals if any dimension is critical to your particular installation.
3. Reliance Foundry reserves the right to amend design and specifications without prior notice for product improvement.



Unit 207, 6450 - 148 Street, Surrey, BC V3S 7G7, Canada
 1-877-789-3245 info@reliance-foundry.com
 www.reliance-foundry.com

TITLE			
BENCH R-5501			
SIZE	DWG NO	REV	
C	R5501-00	A00	
NOT TO SCALE		SHEET 1 OF 1	

PARTS LIST			
ITEM	QTY	PART NUMBER	DESCRIPTION
1	1	R5501-001	BENCH R5501
2	4	C000014	ANCHOR BOLT KIT - M10 X 100