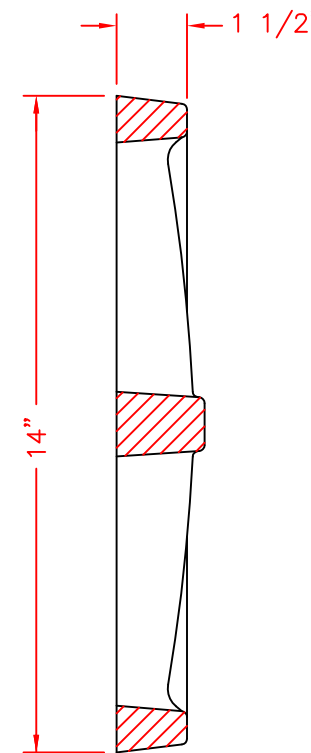
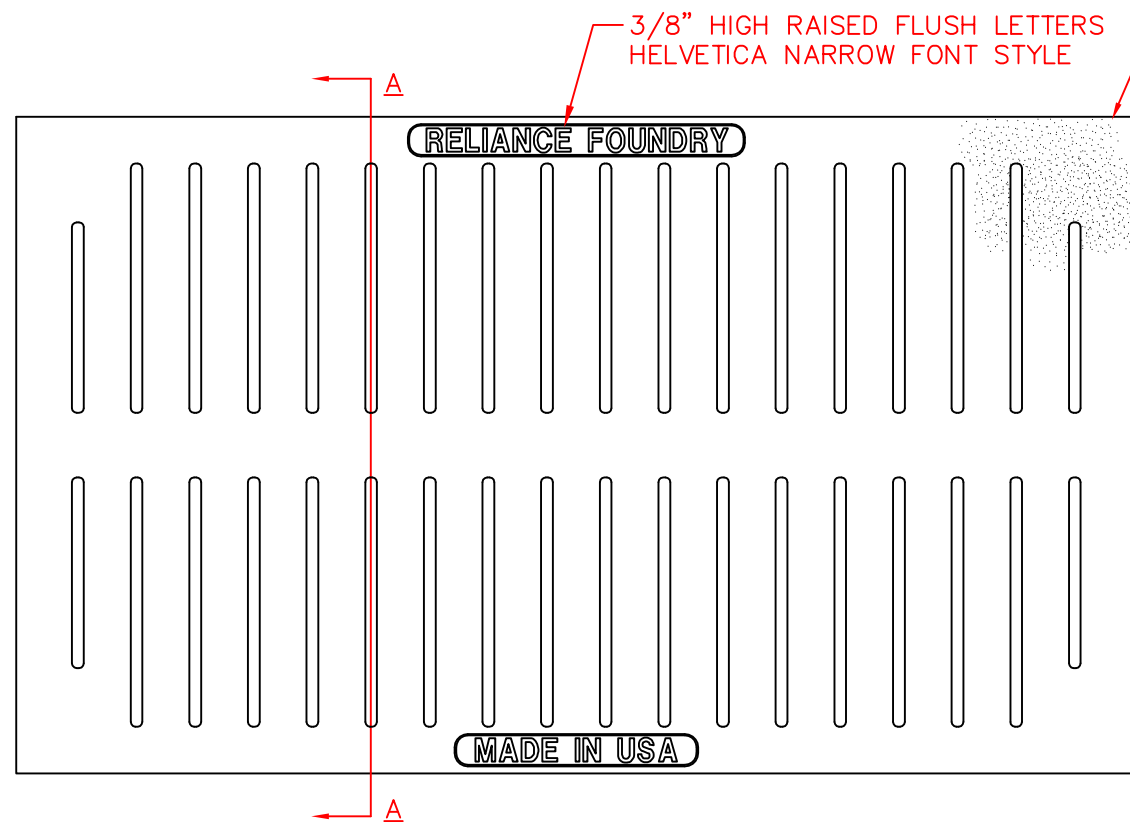
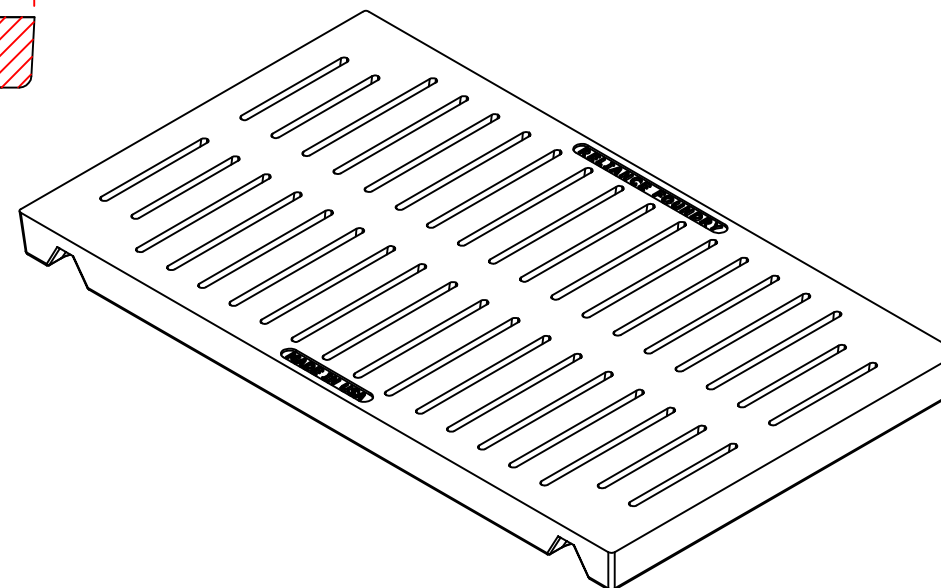
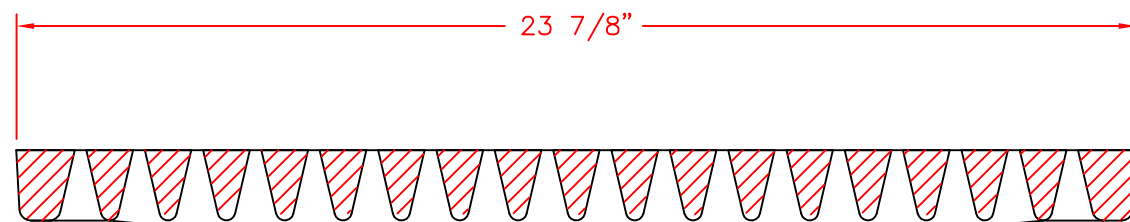


# Trench Grate R-4990-DX



SECTION A-A



## General Description:

R-4990-DX  
TYPE P

## Specifications:

Length: 24"

Width: 14"

Weight: 89lbs

Material: Cast Gray Iron  
ASTM A-48, Class 35B

## Finish:

Black

**RELIANCE FOUNDRY**  
— SINCE 1925 —

Unit 207, 6450 - 148 Street, Surrey, BC V3S 7G7, Canada  
1-877-789-3245 info@reliance-foundry.com  
[www.reliance-foundry.com](http://www.reliance-foundry.com)

TITLE

Trench Grate R-4990-DX

SIZE  
C

DWG NO

06453149

REV  
C1

NOT TO SCALE

SHEET 1 OF 1