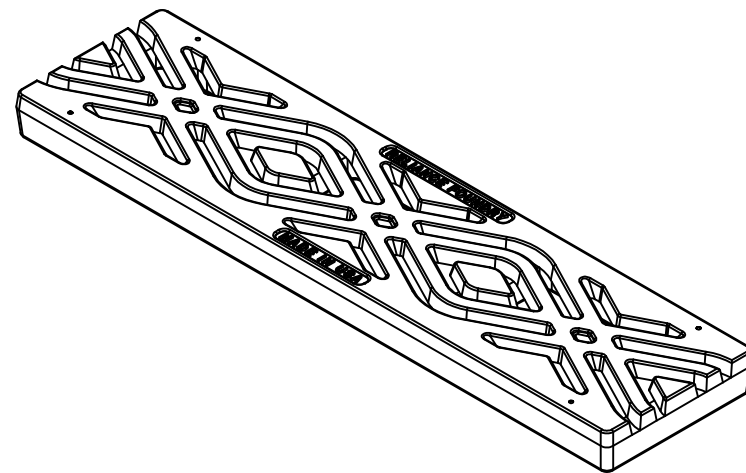
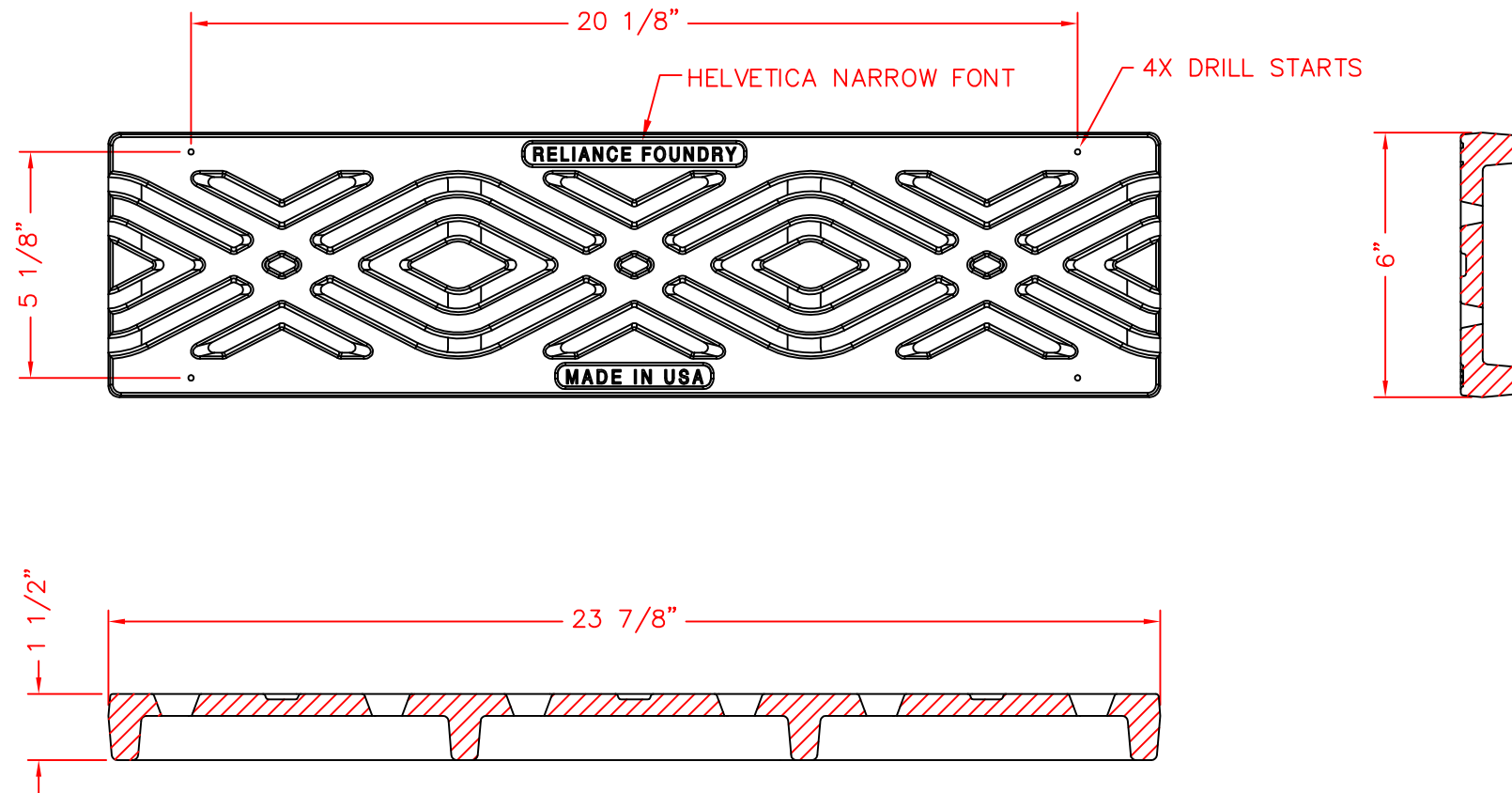


# TRENCH GRATE



**General Description:**  
 R-4989 Trench Grate  
 Type ' RIVER WALK'

**Specifications:**  
 Length: 24"

Width: 6"

Weight: 25 lbs

Material: Cast Gray Iron  
 ASTM A-48, Class 35B

Finish:  
 Black

**RELiance FOUNDRY**  
 SINCE 1925

Unit 207, 6450 - 148 Street, Surrey, BC V3S 7G7, Canada  
 1-877-789-3245 info@reliance-foundry.com  
[www.reliance-foundry.com](http://www.reliance-foundry.com)

TITLE

**TRENCH GRATE R-4989**

SCALE  
 1/4"=1"

DWG NO

**06453062**

REV  
 0