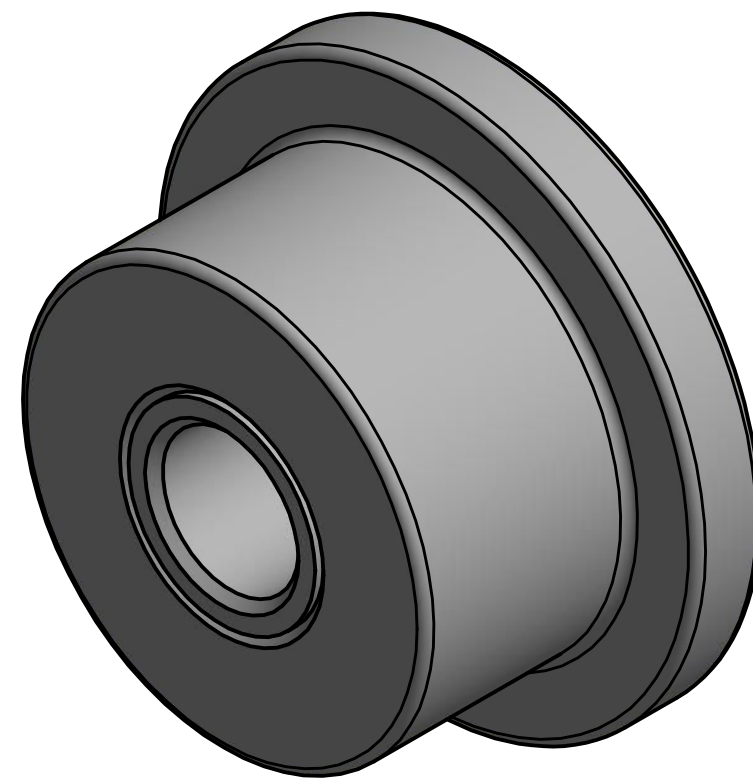
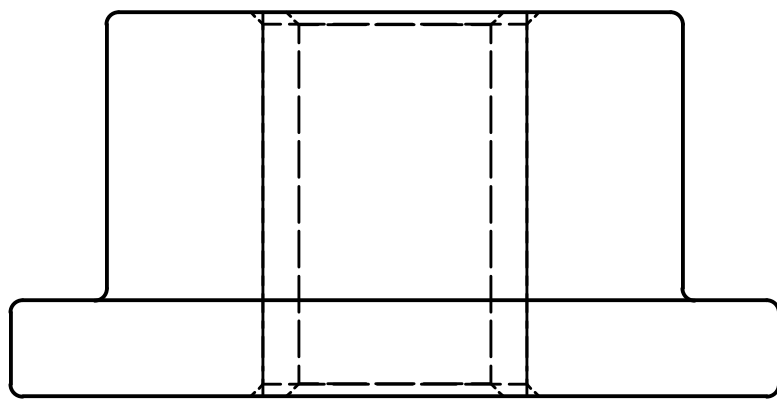


SECTION A-A



RELIANCE FOUNDRY
— SINCE 1925 —

Unit 207, 6450 - 148 Street, Surrey, BC V3S 7G7, Canada
1-877-789-3245 info@reliance-foundry.com
www.reliance-foundry.com

TITLE

Single Flanged Wheel R-3306

SIZE	DWG NO	REV
C	R3306	A1

SHEET 1 OF 1

PARTS LIST						
ITEM	QTY	PART NUMBER	DESCRIPTION	MATERIAL	WEIGHT	
1	1	R3306	R3306 Single Flanged Wheel	ASTM A915 Grade 4340 Steel, BHN 280-320	4 lbs	
2	1	Bronze Bushing	Bronze Bushing	Bearing Bronze C93200 (SAE660)	1/2 lbs	

COPYRIGHT RESERVED THIS PLAN DRAWING AND DESIGN ARE, AND AT ALL TIMES REMAIN, THE EXCLUSIVE PROPERTY OF RELIANCE FOUNDRY CO., LTD.