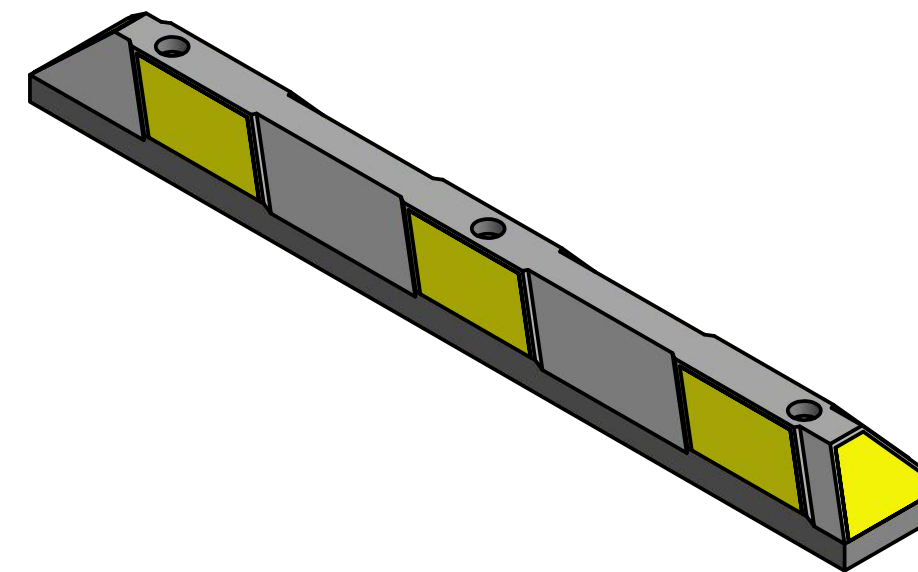
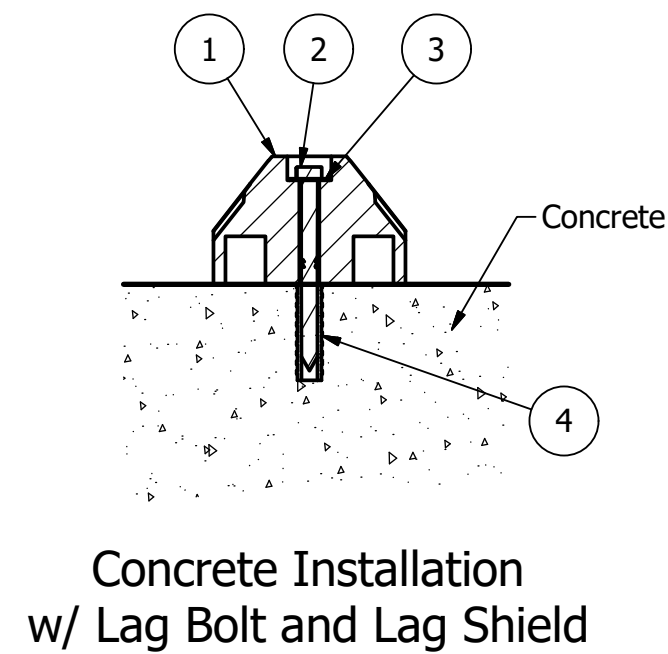
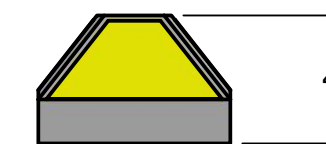
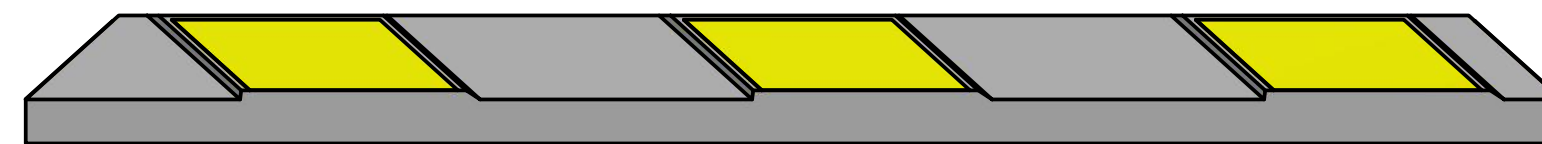
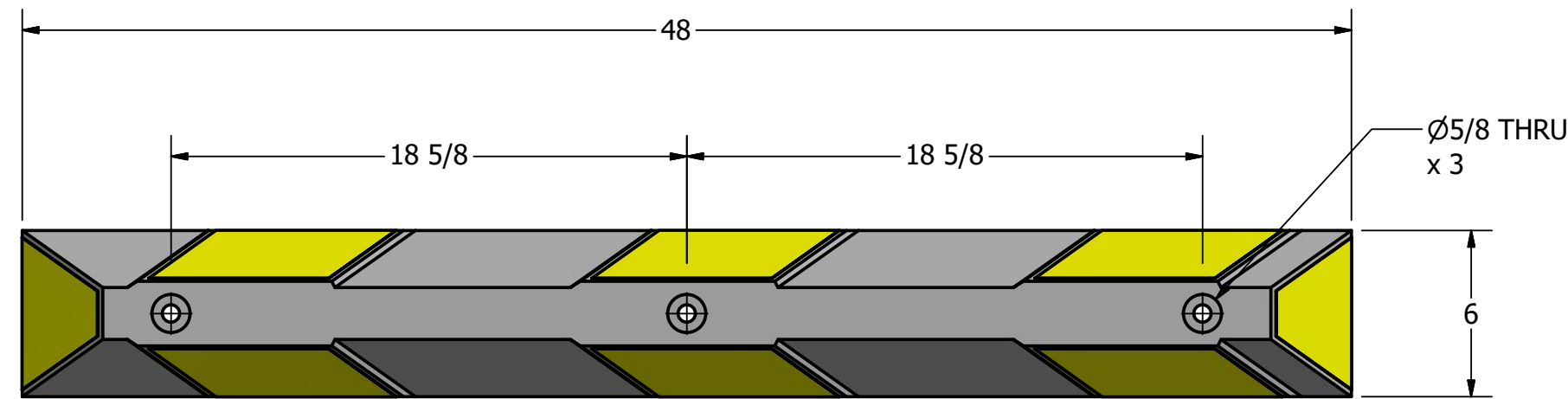


Parking Stop, Model R-2004 Series



General Description:

Parking stops indicate how far drivers should pull into a parking stall. They protect vehicles from scraping low bumpers and tailpipes on high curbs. They also prevent intrusion into sidewalks and other pedestrian areas--as well as gardens, utility spaces, exposed walls, windows and other sensitive areas. When installed in parking spaces, curbs prevent vehicles from driving through stalls--helping to ensure loading room for back-in vehicles and minimizing risk of collision between vehicles simultaneously parking opposite each other. Limiting vehicle pull-through ensure more predictable driving greater safety.

Specifications:

Length: 48"

Width: 6"

Height: 4"

Weight: 23 lbs

Material: Recycled Rubber Composite

Color Selections:

- ☉ Yellow Stripe on Black: R-2004-YEL-BLK

Installation Options:

- ☉ Concrete Installation w/ Lag Bolt (see sheet 1 of 2)
- Asphalt Installation w/ Rebar Spike (see sheet 2 of 2)

RELIANCE FOUNDRY
SINCE 1925

Unit 207, 6450 - 148 Street, Surrey, BC V3S 7G7, Canada
1-888-735-5680 info@reliance-foundry.com
www.reliance-foundry.com

TITLE

Parking Stop R-2004 Series

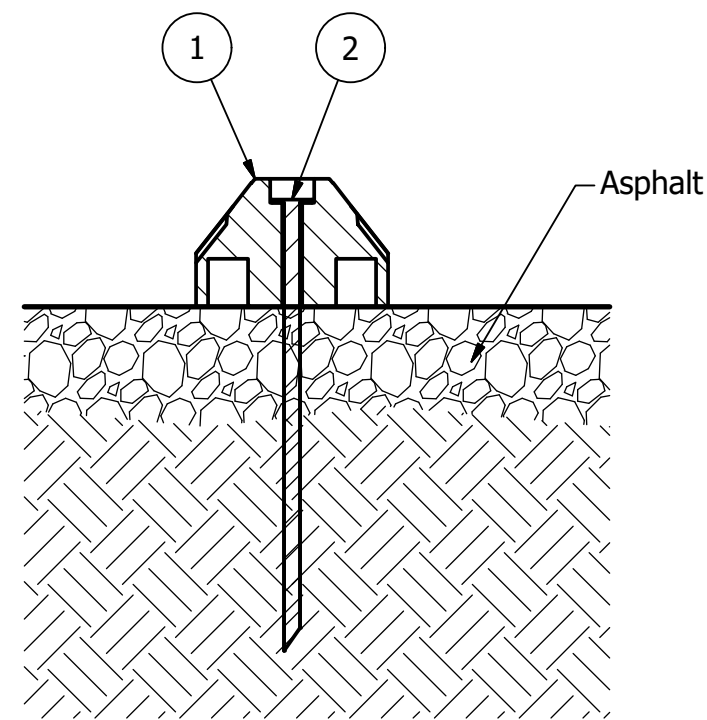
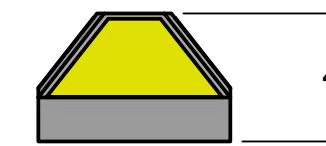
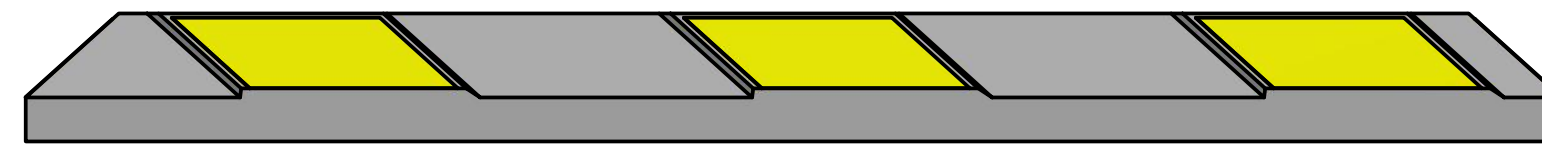
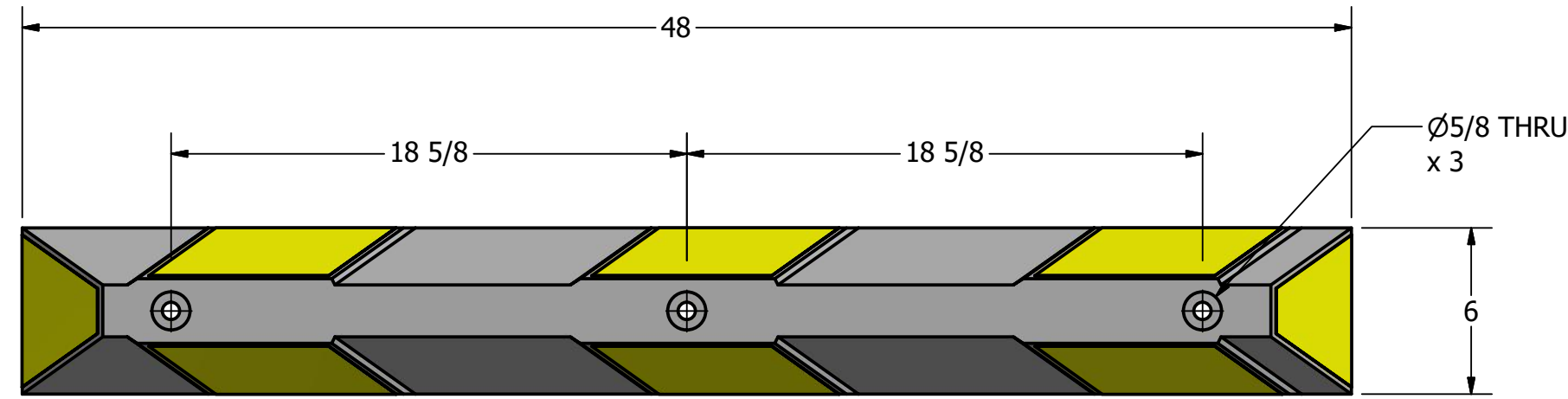
SIZE
C

DWG NO
R2004

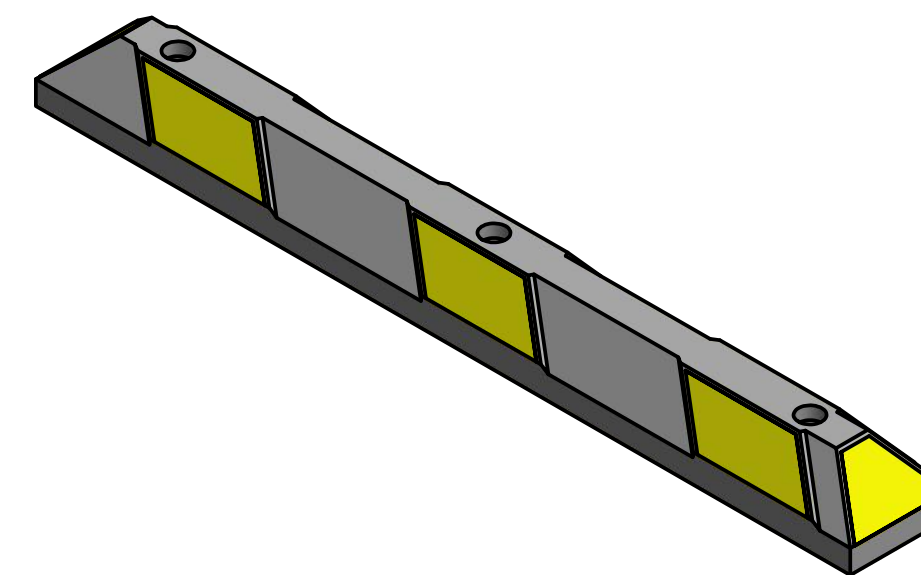
REV
C1

PARTS LIST						
ITEM	QTY	PART NUMBER	DESCRIPTION	MATERIAL	WEIGHT	
1	1	R2004	R2004 4' Rubber Parking Stop	Compression Molded Recycled Rubber Composite	23 lbs	
2	3	Hex Lag Bolt 1/2" x 6"	Hex Lag Bolt 1/2" x 6" - requires 3/4" wrench (socket)	Steel HDG	1/4 lbs	
3	3	Washer 1/2"	Washer 1/2" OD 1 1/4" Thick .05"	Steel Plated		
4	3	Lag Bolt Shield 1/2" x 3"	Lag Bolt Shield 1/2" x 3" - requires 3/4" x 3" hole (dia. x depth)	Steel HDG	1/8 lbs	

Parking Stop, Model R-2004 Series



Asphalt Installation
w/ Rebar Spike



General Description:

Parking stops indicate how far drivers should pull into a parking stall. They protect vehicles from scraping low bumpers and tailpipes on high curbs. They also prevent intrusion into sidewalks and other pedestrian areas--as well as gardens, utility spaces, exposed walls, windows and other sensitive areas. When installed in parking spaces, curbs prevent vehicles from driving through stalls--helping to ensure loading room for back-in vehicles and minimizing risk of collision between vehicles simultaneously parking opposite each other. Limiting vehicle pull-through ensure more predictable driving greater safety.

Specifications:

Length: 48"

Width: 6"

Height: 4"

Weight: 23 lbs

Material: Recycled Rubber Composite

Color Selections:

- Yellow Stripe on Black: R-2004-YEL-BLK

Installation Options:

- Concrete Installation w/ Lag Bolt (see sheet 1 of 2)
- Asphalt Installation w/ Rebar Spike (see sheet 2 of 2)

RELIANCE FOUNDRY
SINCE 1925

Unit 207, 6450 - 148 Street, Surrey, BC V3S 7G7, Canada
1-888-735-5680 info@reliance-foundry.com
www.reliance-foundry.com

TITLE

Parking Stop R-2004 Series

PARTS LIST						
ITEM	QTY	PART NUMBER	DESCRIPTION	MATERIAL	WEIGHT	
1	1	R2004	R2004 4' Rubber Parking Stop	Compression Molded Recycled Rubber Composite	23 lbs	
2	3	Rebar Spike 1/2" - 14"	Rebar Spike 1/2" - 14"	Steel HDG	3/4 lbs	

SIZE
C

DWG NO
R2004

REV
C1