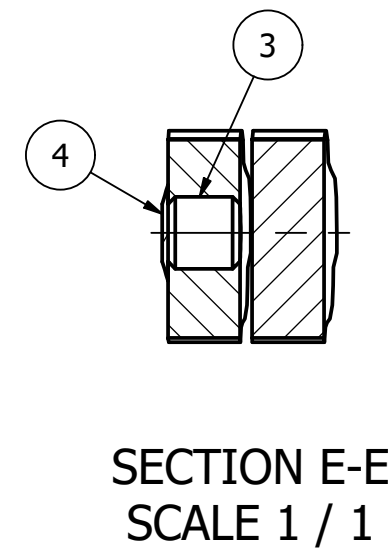
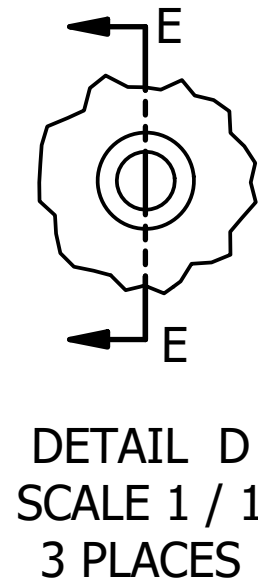
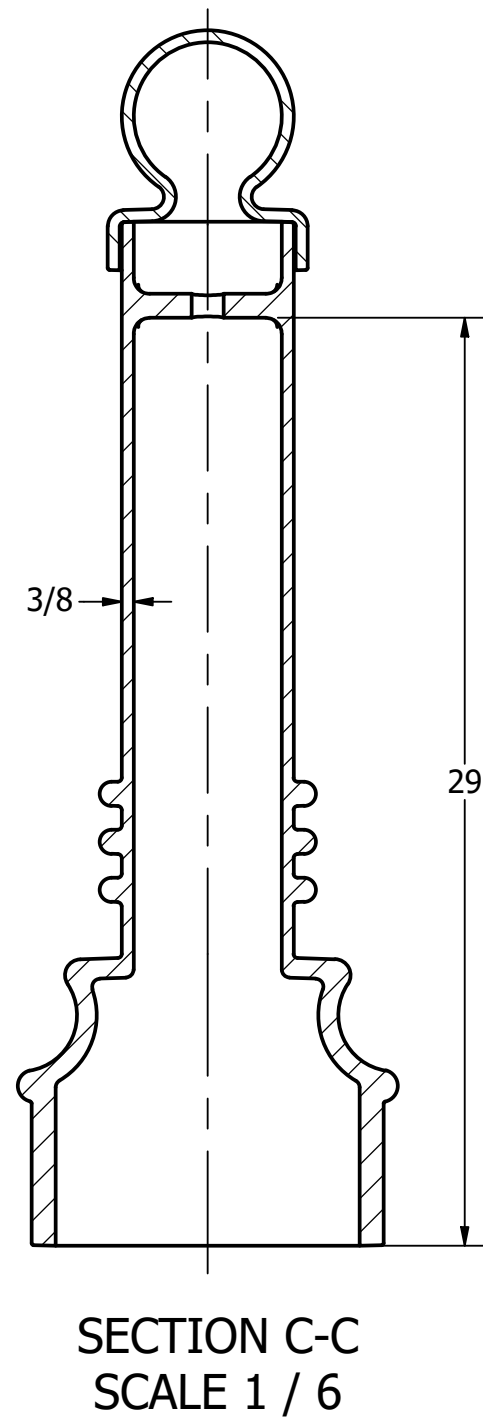
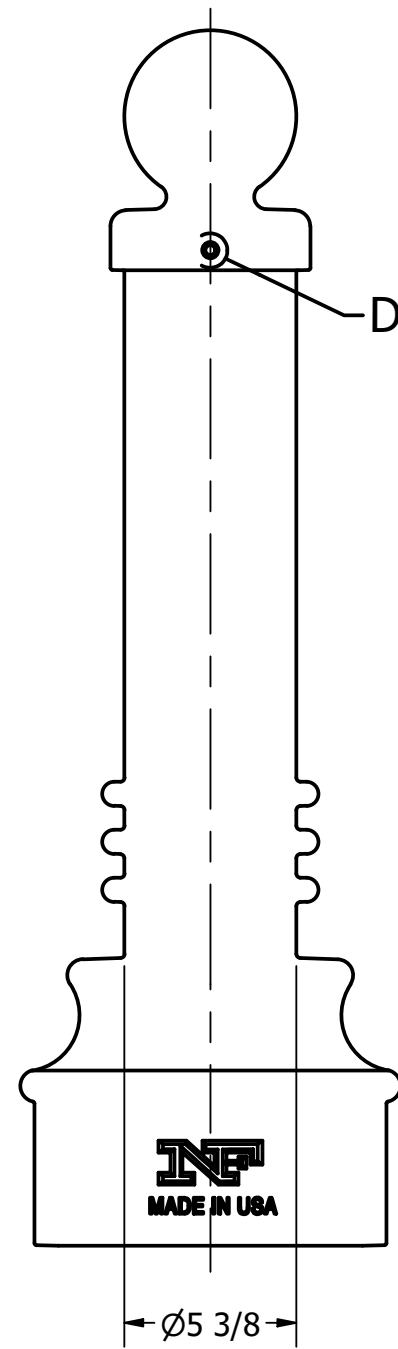
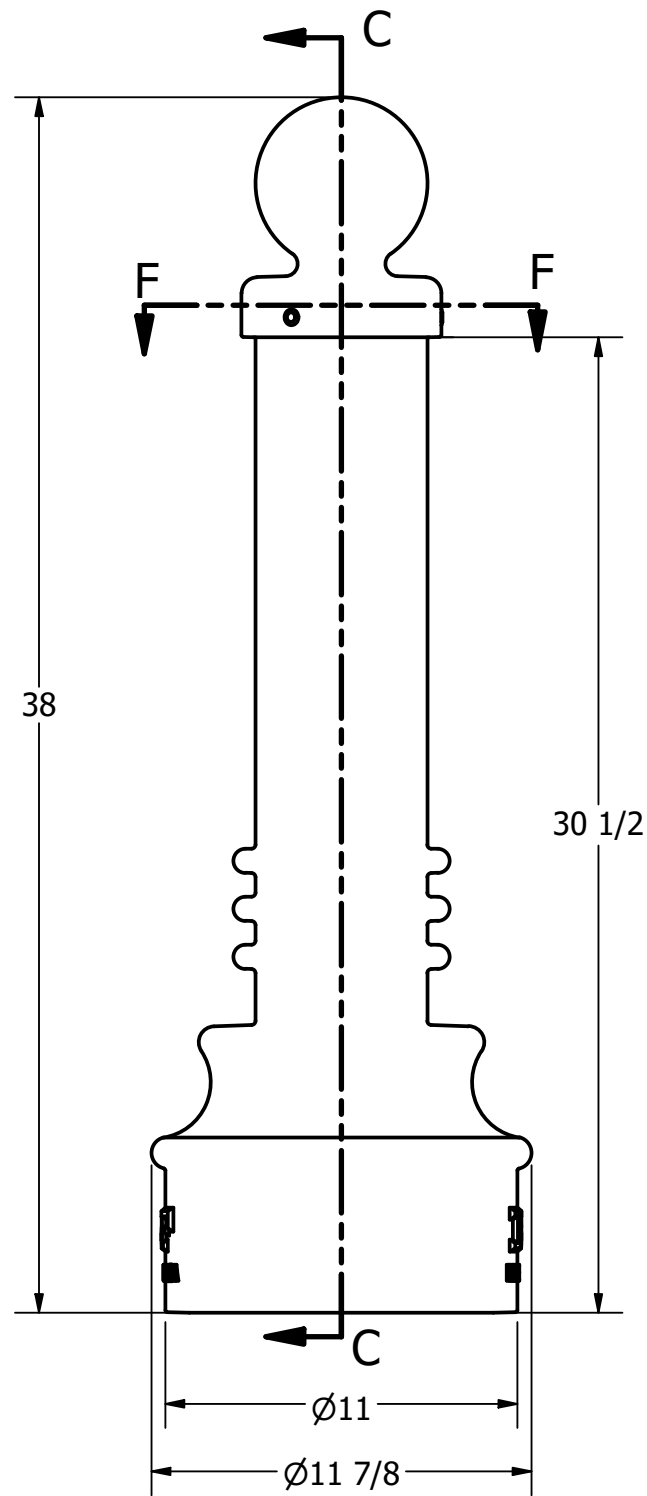
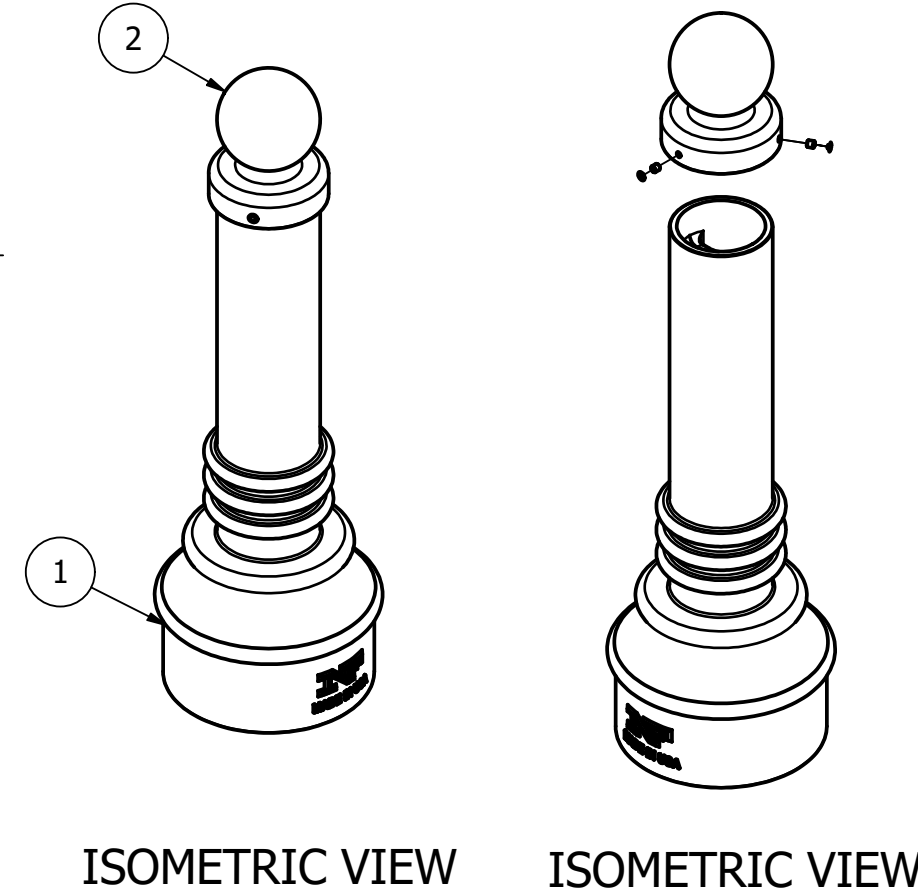
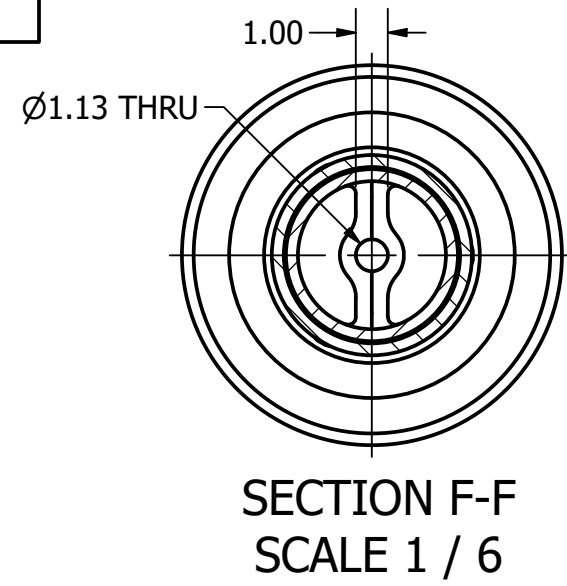


BOLLARD 8403-43BA



General Description:

Reliance Foundry 8403-43BA decorative bollards are made in the USA, meeting the Buy America and Buy American Acts requirements. They are manufactured from reliable cast iron and finished with circular top castings for visual flair. For weathering protection, these bollards are finished with black powder coating. These tough and aesthetic bollards can be used as fixed, stand-alone bollards, or to cover impact-resistant security posts. They can also be made removable utilizing premium removable mountings (please contact us for more details).

Specifications:

Height : 38
Base Diameter : 11"
Weight : 118 lbs (Bollard only)
Material : ASTM A-48, CLASS 35B

Finish Options:

☉ Polyester Powdercoated

See Reliance Foundry's standard color options at:
www.reliance-foundry.com/bollard/colors-bollards

Care and Maintenance:

Reliance's line of bollards are finished with a long-lasting powder-coating. Proper care and maintenance are required. Regularly-performed inspections and routine cleaning will ensure that a bollard retains its aesthetic appeal and does not become damaged by the elements.

See Reliance Foundry's maintenance guide at:
www.reliance-foundry.com/bollard/maintenance-bollards

Notes:

- 1) Bollard post is provided as shown. Concrete, foundation and/or installation ordered separately or provided by others.
- 2) Minimum foundation sizes depend on local soil conditions, weather conditions, and engineering requirements.
- 3) Dimensions provided herein is for reference only. Please consult Reliance Foundry sales professionals if any dimension is critical to your particular installation.
- 4) Reliance Foundry reserves the right to amend design and specifications without prior notice for product improvement.

PARTS LIST			
ITEM	QTY	PART NUMBER	DESCRIPTION
1	1	84034301	BASE
2	1	84004002	CAP
3	3	C00005	SET SCREW, FLAT-3/8 X 3/8
4	3	C00006	PLUG, FLAT TIP-3/8 SET SCREW



Unit 207, 6450 - 148 Street, Surrey, BC V3S 7G7, Canada
1-877-789-3245 info@reliance-foundry.com
www.reliance-foundry.com

TITLE			
BOLLARD 8403-43BA			
SIZE	DWG NO	REV	
C	8403250-00	A00	
NOT TO SCALE		SHEET 1 OF 1	