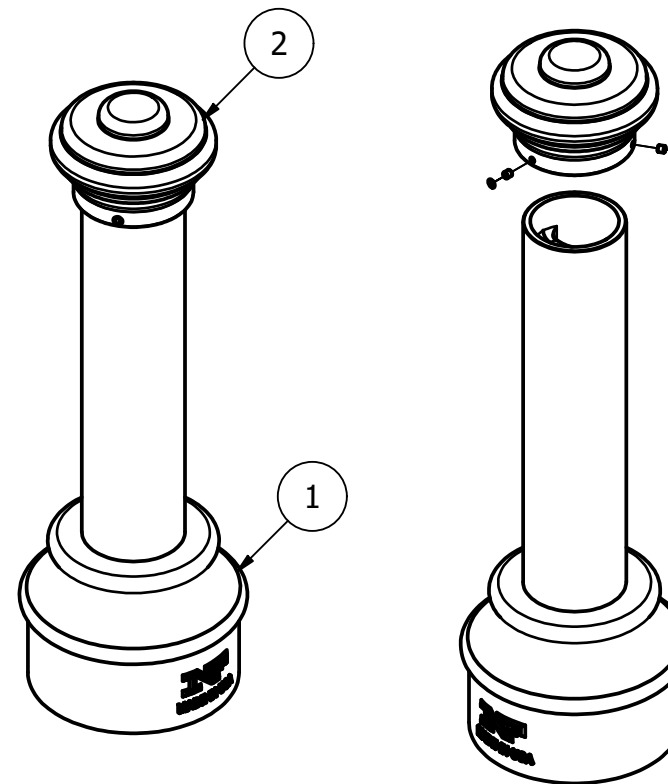
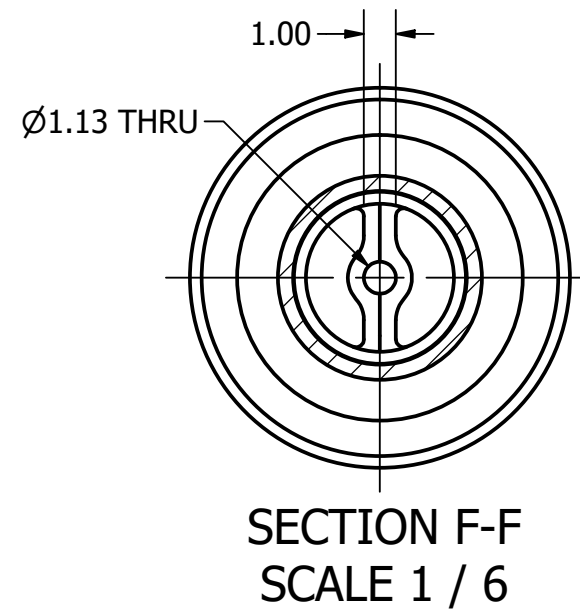


BOLLARD 8402-43DA



General Description:

Reliance Foundry's 8402-43DA decorative bollards are manufactured in the USA. These bollards can be used as fixed, stand-alone bollards or as aesthetic covers that slip over impact-resistant security pipes. The 8402-43DA features a classic silhouette with clean lines and corniced top casting. Removable options also available using premium retractable mountings (contact us for more information). These bollards satisfy the Buy America and Buy American Acts requirements.

Specifications:

Height : 36 1/8
 Base Diameter : 11"
 Weight : 114 lbs (Bollard only)
 Material : ASTM A-48, CLASS 35B

Finish Options:

○ Polyester Powdercoated

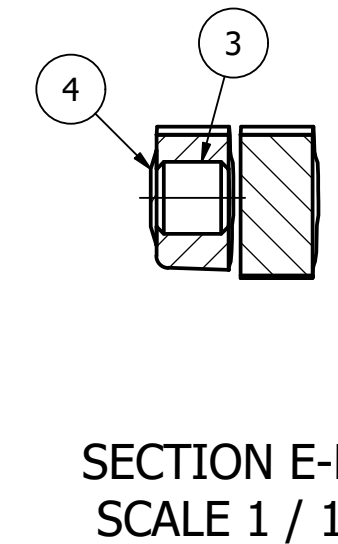
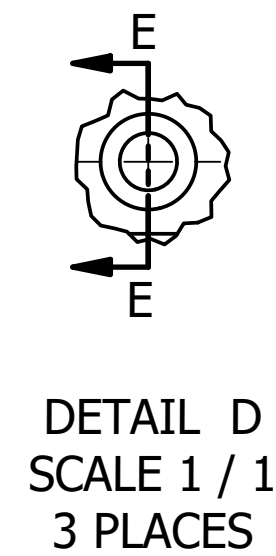
See Reliance Foundry's standard color options at:
www.reliance-foundry.com/bollard/colors-bollards

Care and Maintenance:

Reliance's line of bollards are finished with a long-lasting powder-coating. Proper care and maintenance are required. Regularly-performed inspections and routine cleaning will ensure that a bollard retains its aesthetic appeal and does not become damaged by the elements.

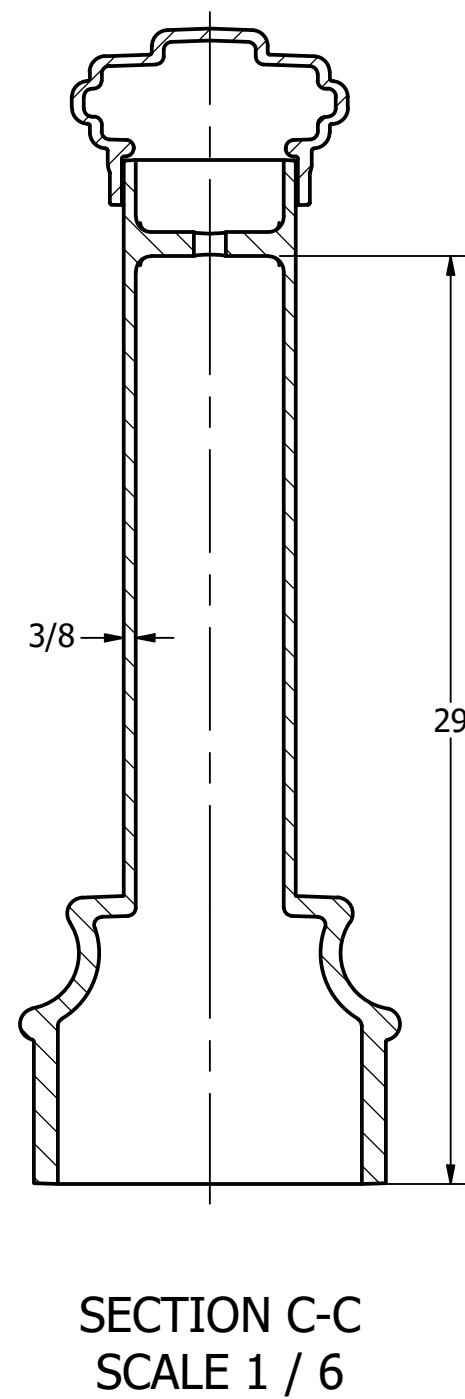
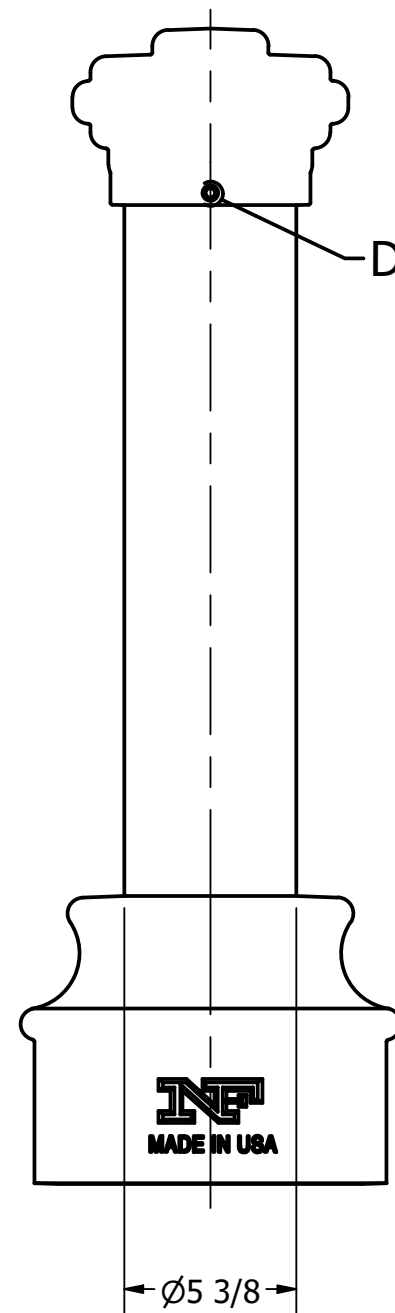
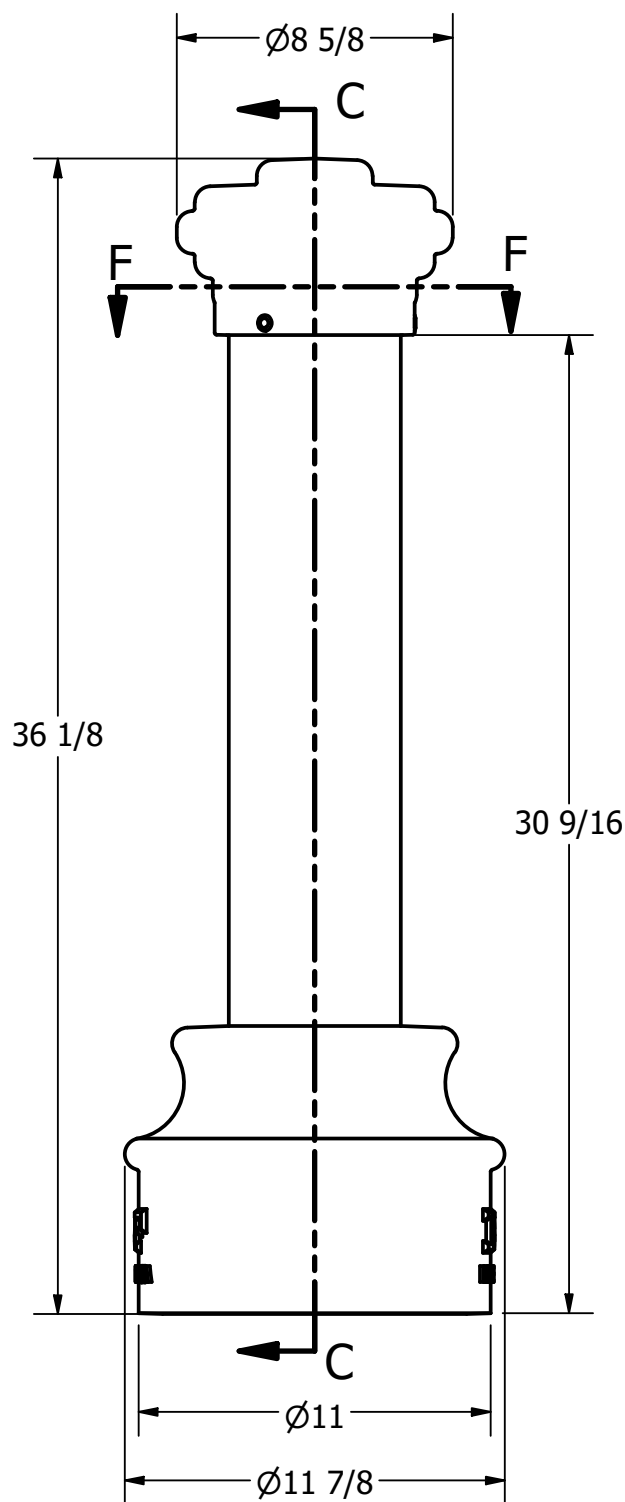
See Reliance Foundry's maintenance guide at:
www.reliance-foundry.com/bollard/maintenance-bollards

ISOMETRIC VIEW ISOMETRIC VIEW



DETAIL D
SCALE 1 / 1
3 PLACES

SECTION E-E
SCALE 1 / 1



SECTION C-C
SCALE 1 / 6

- Notes:
- 1) Bollard post is provided as shown. Concrete, foundation and/or installation ordered separately or provided by others.
 - 2) Minimum foundation sizes depend on local soil conditions, weather conditions, and engineering requirements.
 - 3) Dimensions provided herein is for reference only. Please consult Reliance Foundry sales professionals if any dimension is critical to your particular installation.
 - 4) Reliance Foundry reserves the right to amend design and specifications without prior notice for product improvement.

PARTS LIST			
ITEM	QTY	PART NUMBER	DESCRIPTION
1	1	84024301	BASE
2	1	84004004	CAP
3	3	C00005	SET SCREW, FLAT-3/8 X 3/8
4	3	C00006	PLUG, FLAT TIP-3/8 SET SCREW



Unit 207, 6450 - 148 Street, Surrey, BC V3S 7G7, Canada
 1-877-789-3245 info@reliance-foundry.com
www.reliance-foundry.com

TITLE			
BOLLARD 8402-43DA			
SIZE	DWG NO	REV	
C	8402350-00	A00	
NOT TO SCALE		SHEET 1 OF 1	