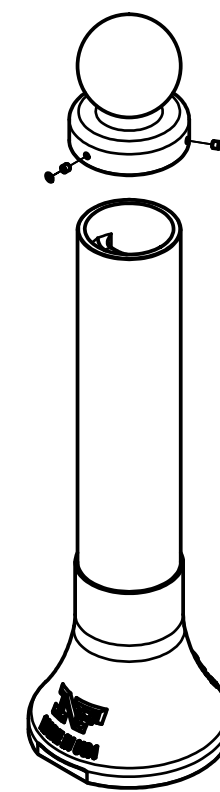
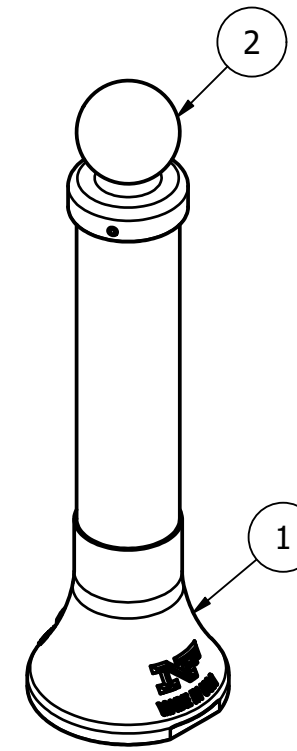
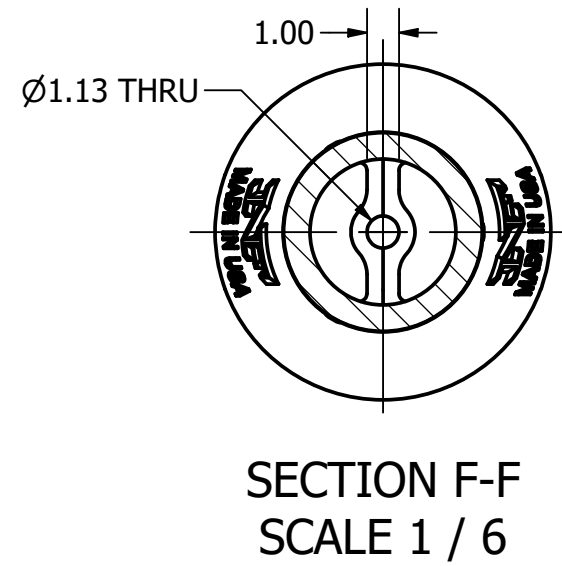


BOLLARD 8402-43BC



General Description:

Reliance Foundry's 8402-43BC bollards offer plenty of visual interest while defining perimeters. A tapered profile with wider base is topped with a classic, spherical casting. This bollard is made from strong cast iron and finished with black powder coating. The 8402-43BC can be utilized as aesthetic covers for security posts, or as fixed, stand-alone bollards. Made in the USA, these decorative bollards fulfill the Buy America and Buy American Acts requirements. Fixed and removable options available (contact us for more details about removable installations).

Specifications:

Height : 38 1/16
 Base Diameter : 10 1/2"
 Weight : 80 lbs (Bollard only)
 Material : ASTM A-48, CLASS 35B

Finish Options:

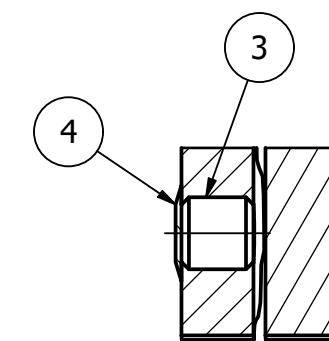
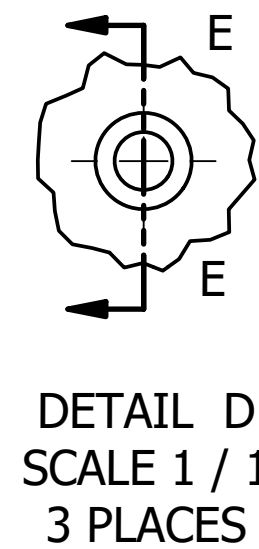
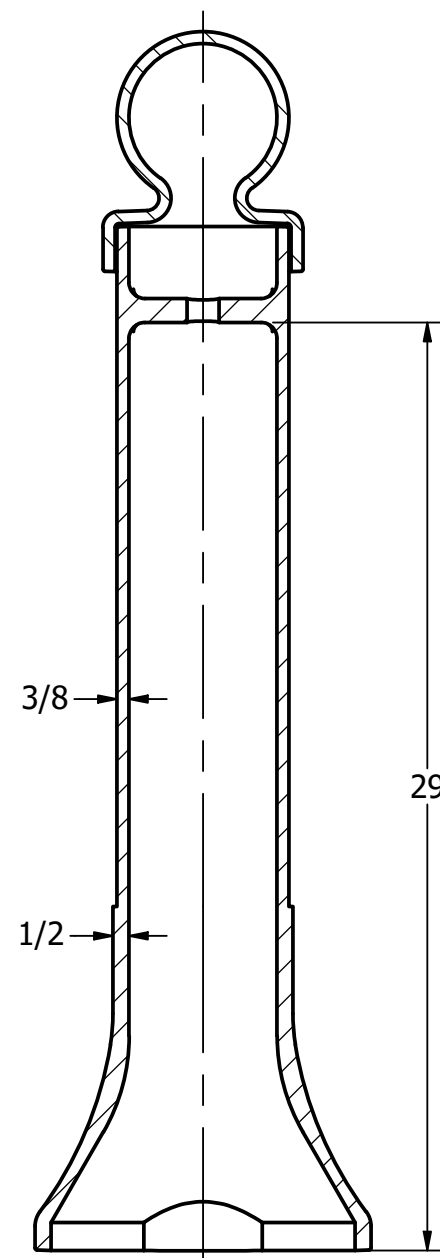
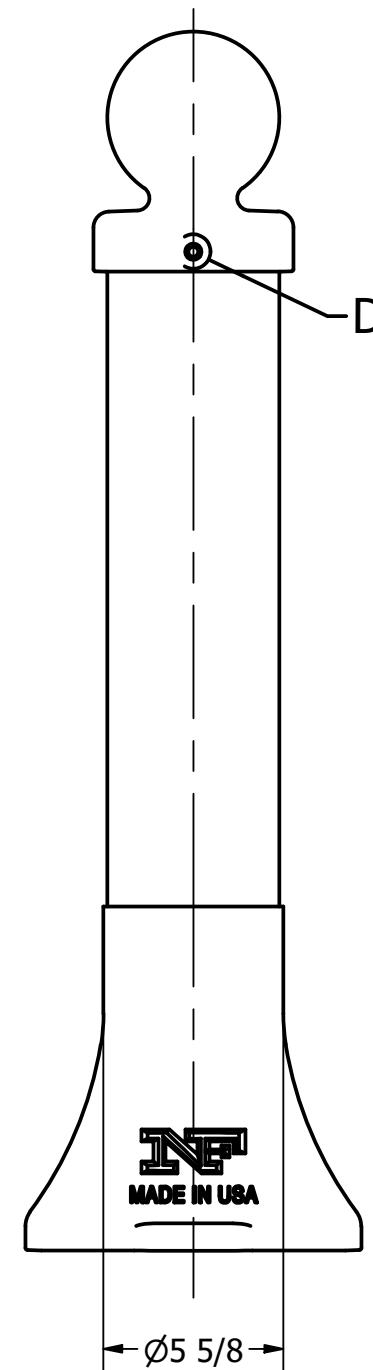
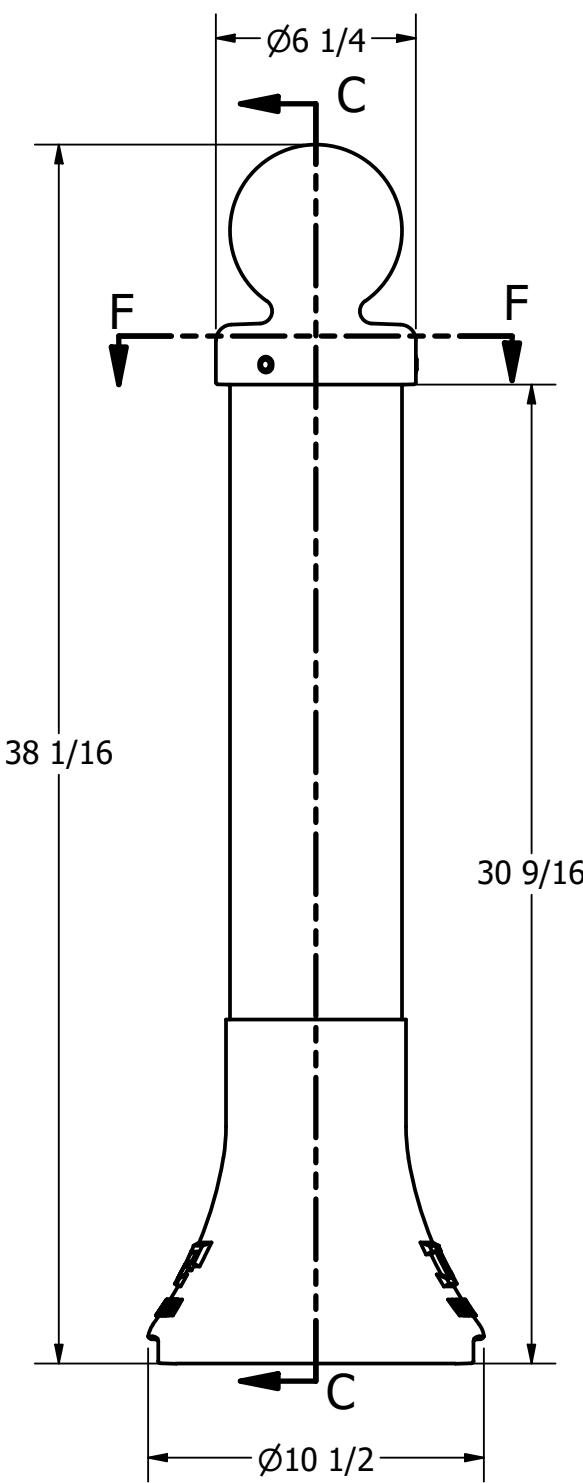
○ Polyester Powdercoated

See Reliance Foundry's standard color options at:
www.reliance-foundry.com/bollard/colors-bollards

Care and Maintenance:

Reliance's line of bollards are finished with a long-lasting powder-coating. Proper care and maintenance are required. Regularly-performed inspections and routine cleaning will ensure that a bollard retains its aesthetic appeal and does not become damaged by the elements.

See Reliance Foundry's maintenance guide at:
www.reliance-foundry.com/bollard/maintenance-bollards



- Notes:
- 1) Bollard post is provided as shown. Concrete, foundation and/or installation ordered separately or provided by others.
 - 2) Minimum foundation sizes depend on local soil conditions, weather conditions, and engineering requirements.
 - 3) Dimensions provided herein is for reference only. Please consult Reliance Foundry sales professionals if any dimension is critical to your particular installation.
 - 4) Reliance Foundry reserves the right to amend design and specifications without prior notice for product improvement.

PARTS LIST			
ITEM	QTY	PART NUMBER	DESCRIPTION
1	1	84024303	BASE
2	1	84004002	CAP
3	3	C00005	SET SCREW, FLAT-3/8 X 3/8
4	3	C00006	PLUG, FLAT TIP-3/8 SET SCREW



Unit 207, 6450 - 148 Street, Surrey, BC V3S 7G7, Canada
 1-877-789-3245 info@reliance-foundry.com
www.reliance-foundry.com

TITLE			
BOLLARD 8402-43BC			
SIZE	DWG NO	REV	
C	8402258-00	A00	
NOT TO SCALE		SHEET 1 OF 1	