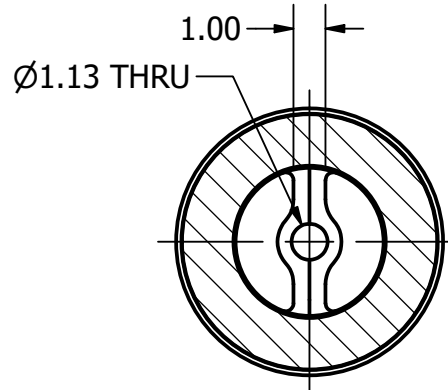
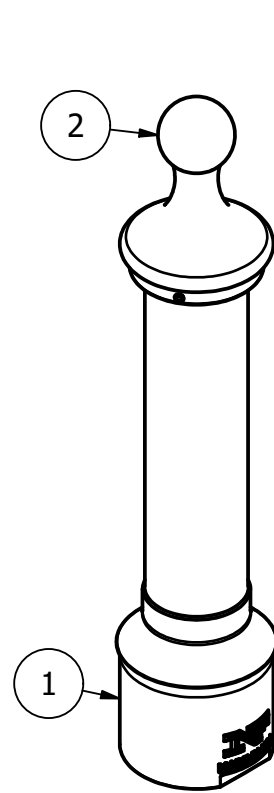


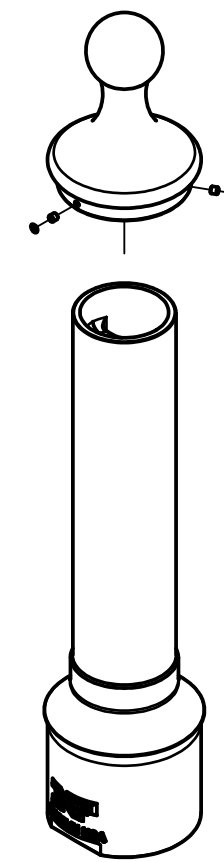
# BOLLARD 8402-43AB



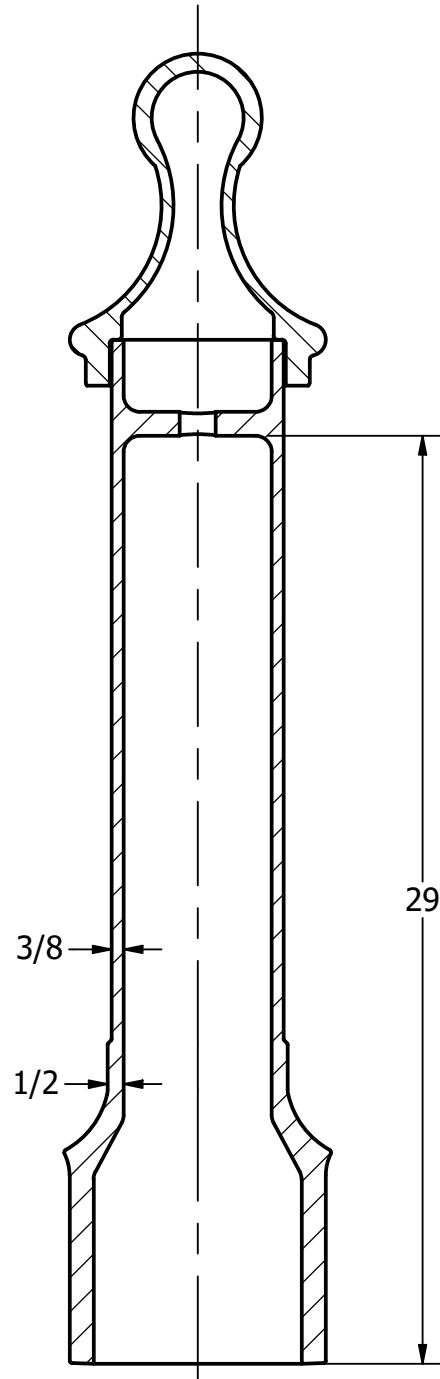
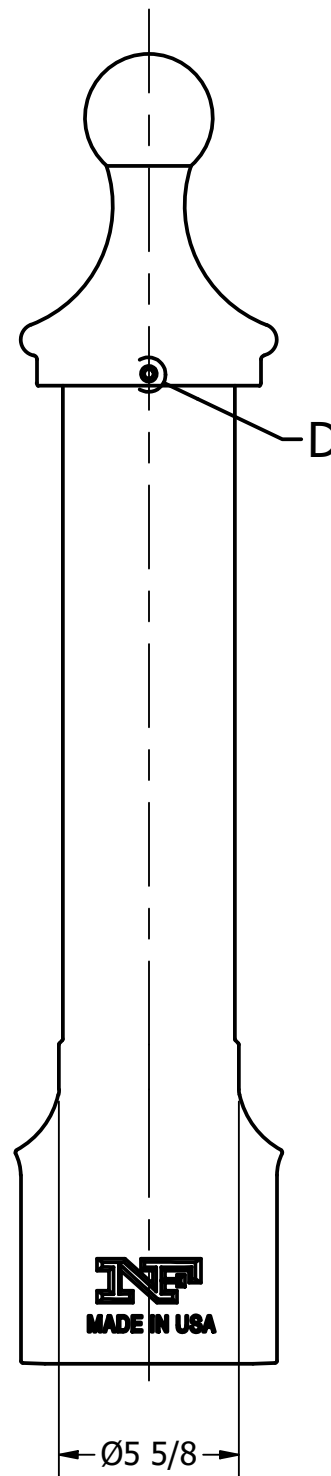
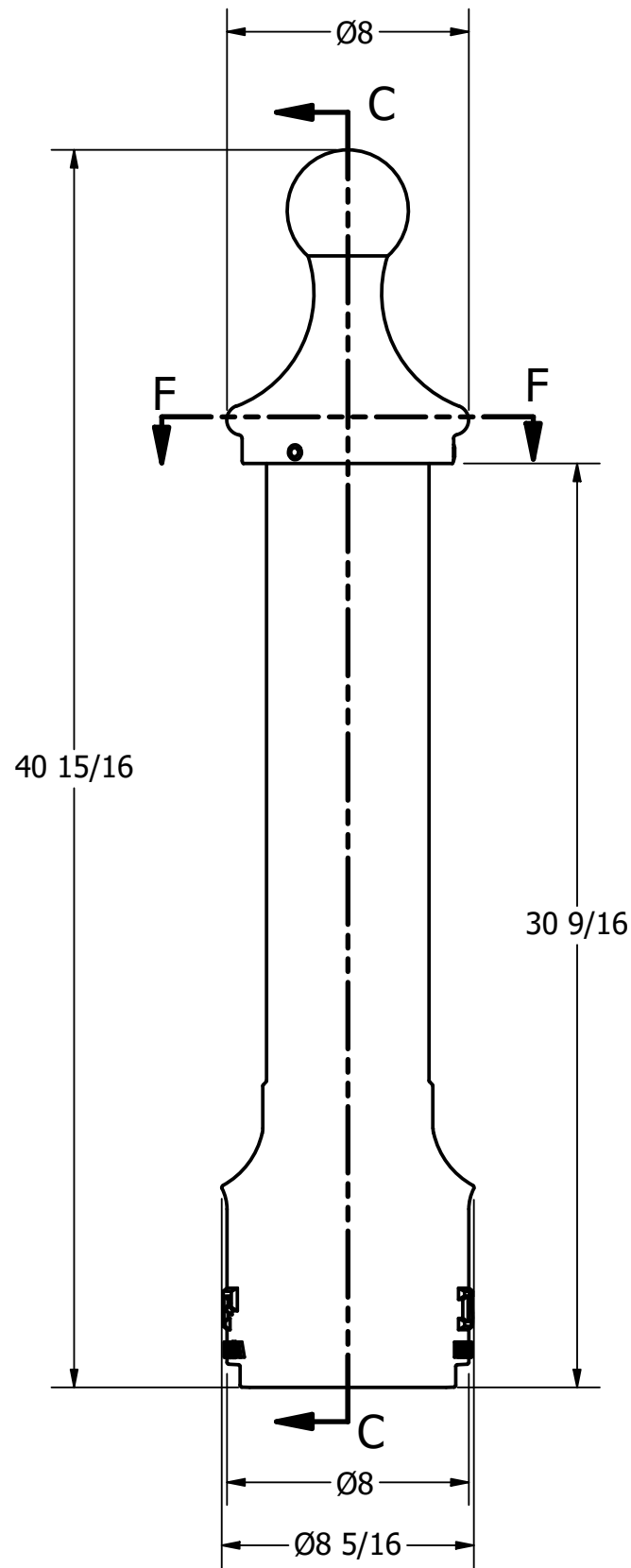
SECTION F-F  
SCALE 1 / 6



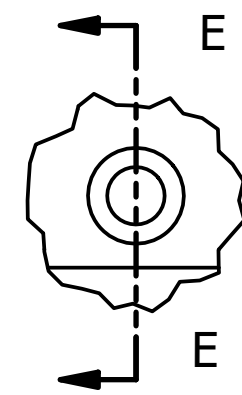
ISOMETRIC VIEW



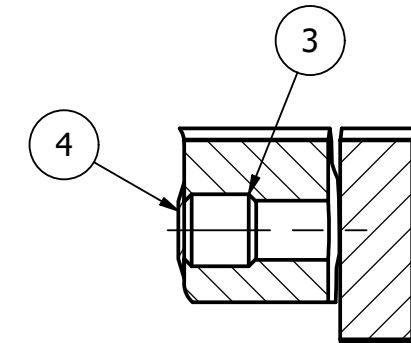
ISOMETRIC VIEW



SECTION C-C  
SCALE 1 / 6



DETAIL D  
SCALE 1 / 1  
3 PLACES



SECTION E-E  
SCALE 1 / 1

## General Description:

Reliance Foundry 8402-43AB decorative bollards are made in the USA, meeting Buy America and Buy American Acts requirements. They are manufactured from cast iron and finished with spherical top castings for visual flair. Black powder-coating protects these bollards from weathering. Use to cover impact-resistant security posts or use as fixed, stand-alone bollards. These versatile bollards can be made removable using premium removable mountings.

## Specifications:

Height : 40 15/16  
Base Diameter : 8"  
Weight : 99lbs (Bollard only)  
Material : ASTM A-48, CLASS 35B

## Finish Options:

☉ Polyester Powdercoated

See Reliance Foundry's standard color options at:  
[www.reliance-foundry.com/bollard/colors-bollards](http://www.reliance-foundry.com/bollard/colors-bollards)

## Care and Maintenance:

Reliance's line of bollards are finished with a long-lasting powder-coating. Proper care and maintenance are required. Regularly-performed inspections and routine cleaning will ensure that a bollard retains its aesthetic appeal and does not become damaged by the elements.

See Reliance Foundry's maintenance guide at:  
[www.reliance-foundry.com/bollard/maintenance-bollards](http://www.reliance-foundry.com/bollard/maintenance-bollards)

## Notes:

- 1) Bollard post is provided as shown. Concrete, foundation and/or installation ordered separately or provided by others.
- 2) Minimum foundation sizes depend on local soil conditions, weather conditions, and engineering requirements.
- 3) Dimensions provided herein is for reference only. Please consult Reliance Foundry sales professionals if any dimension is critical to your particular installation.
- 4) Reliance Foundry reserves the right to amend design and specifications without prior notice for product improvement.

## PARTS LIST

ITEM	QTY	PART NUMBER	DESCRIPTION
1	1	84024302	BASE
2	1	84004001	CAP
3	3	C00005	SET SCREW, FLAT-3/8 X 3/8
4	3	C00006	PLUG, FLAT TIP-3/8 SET SCREW

**RELIANCE FOUNDRY**  
SINCE 1925

Unit 207, 6450 - 148 Street, Surrey, BC V3S 7G7, Canada  
1-877-789-3245 info@reliance-foundry.com  
[www.reliance-foundry.com](http://www.reliance-foundry.com)

TITLE

**BOLLARD  
8402-43AB**

SIZE  
**C**

DWG NO  
**8402204-00**

REV  
**A00**