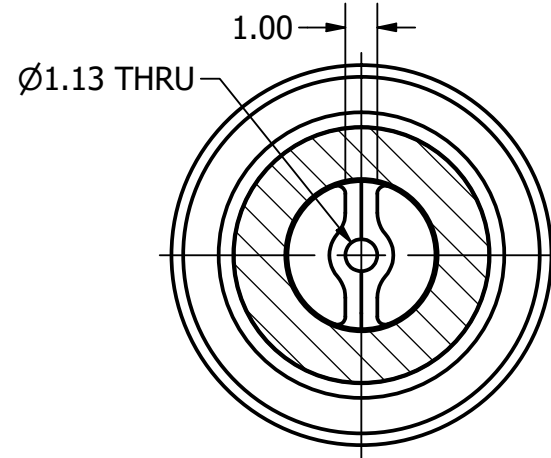
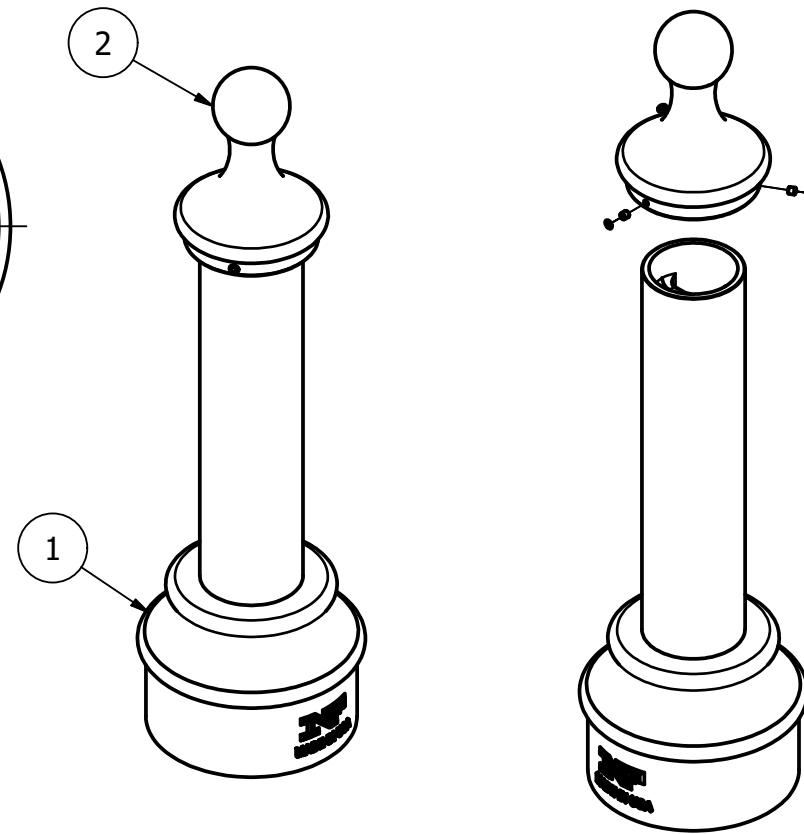


BOLLARD 8402-43AA



SECTION F-F
SCALE 1 / 6



ISOMETRIC VIEW ISOMETRIC VIEW

General Description:

Reliance Foundry 8402-43AA decorative bollards are manufactured in America, and qualify for the Buy America and Buy American Acts requirements. They can be used as fixed, stand-alone bollards or as aesthetic covers that beautify security posts. Made from reliable cast iron and finished with powder coating to protect bollard surfaces from harsh elements. These bollards can also be made removable using premium removable mountings.

Specifications:

Height : 40 15/16
 Base Diameter : 11"
 Weight : 120 lbs (Bollard only)
 Material : ASTM A-48, CLASS 35B

Finish Options:

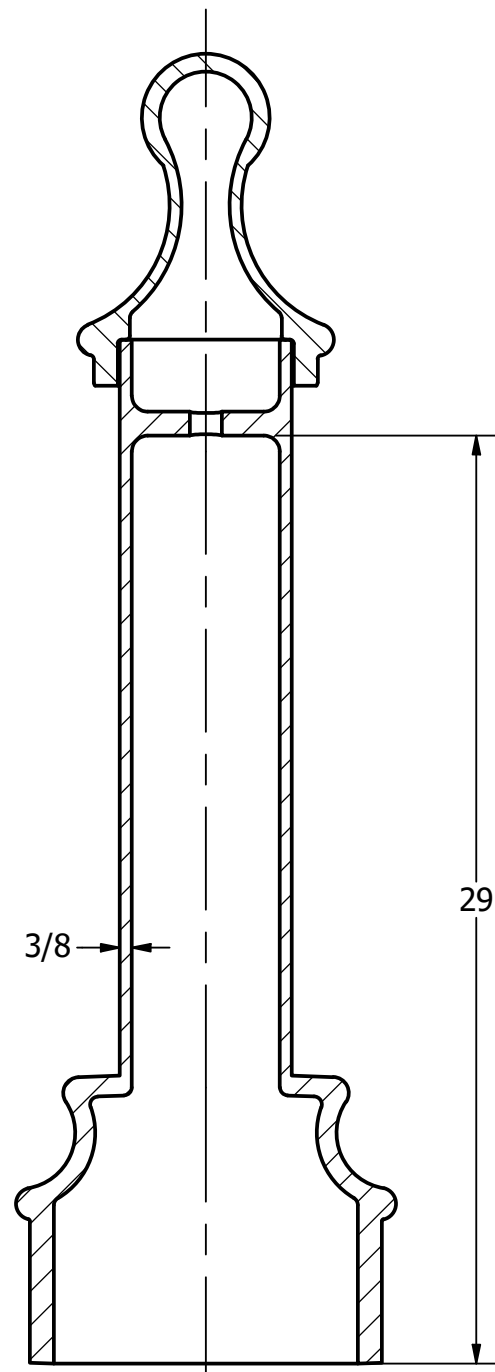
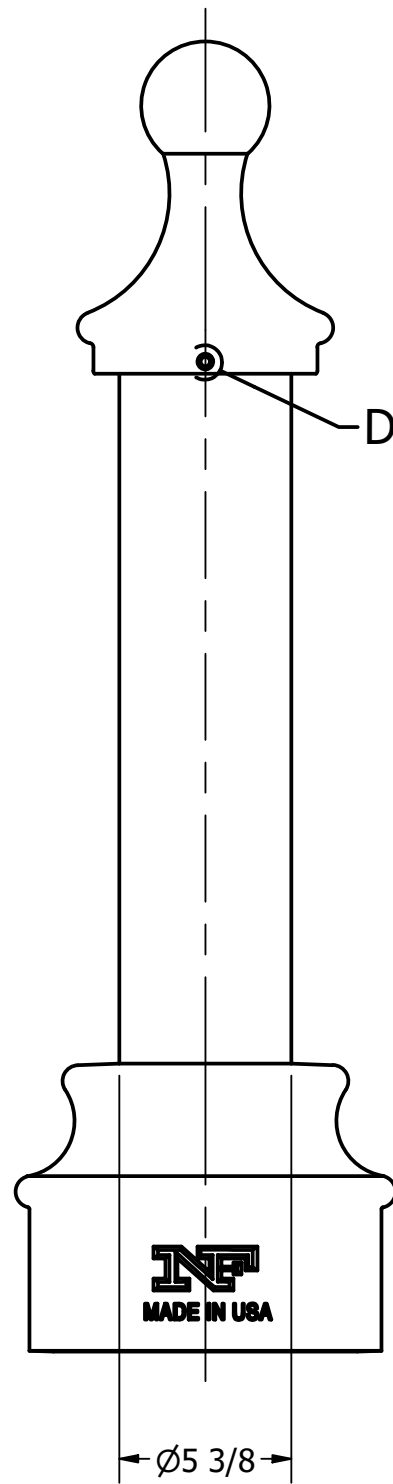
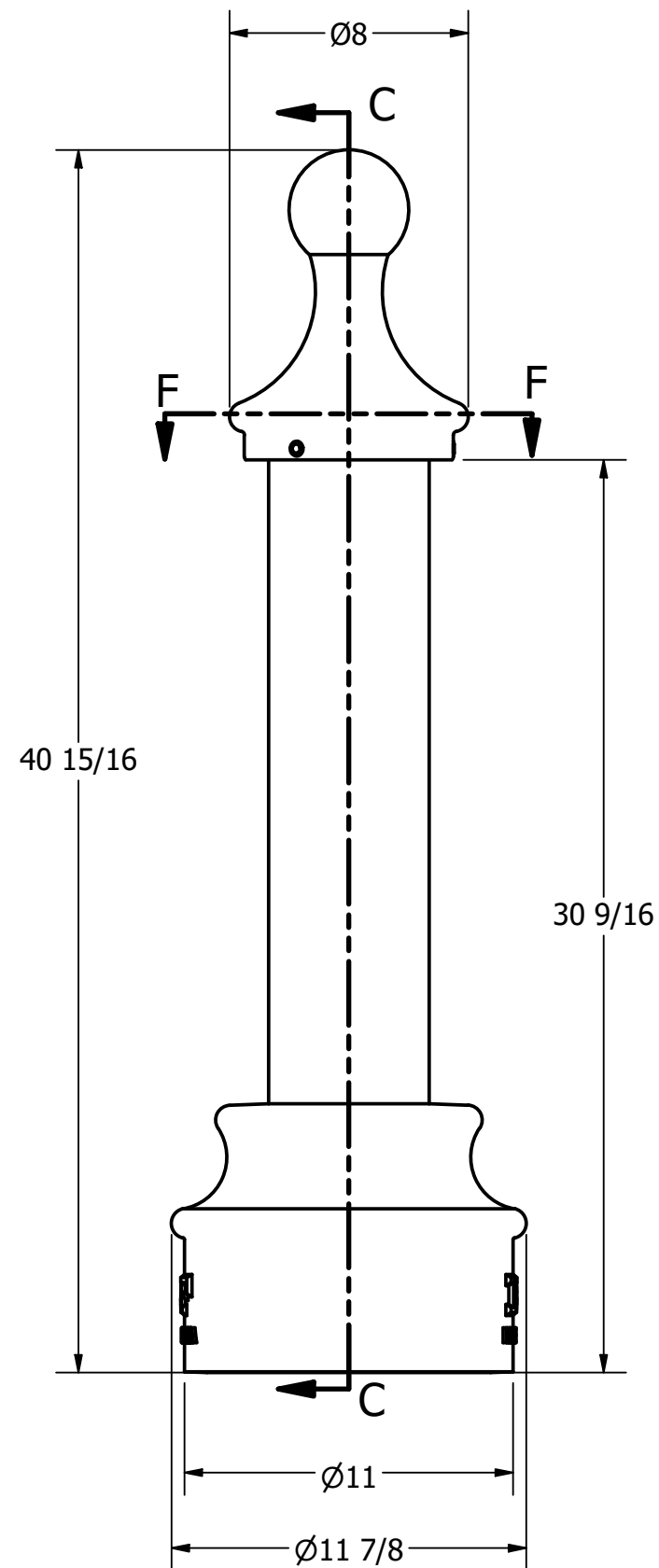
☉ Polyester Powdercoated

See Reliance Foundry's standard color options at:
www.reliance-foundry.com/bollard/colors-bollards

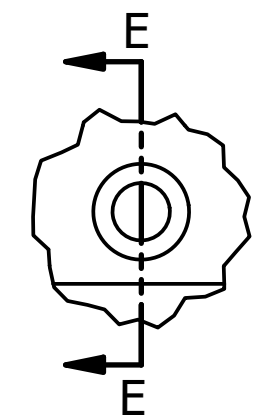
Care and Maintenance:

Reliance's line of bollards are finished with a long-lasting powder-coating. Proper care and maintenance are required. Regularly-performed inspections and routine cleaning will ensure that a bollard retains its aesthetic appeal and does not become damaged by the elements.

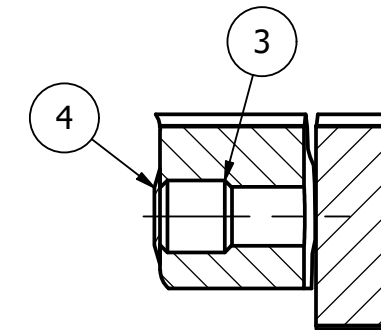
See Reliance Foundry's maintenance guide at:
www.reliance-foundry.com/bollard/maintenance-bollards



SECTION C-C
SCALE 1 / 6



DETAIL D
SCALE 1 / 1
3 PLACES



SECTION E-E
SCALE 1 / 1

- Notes:
- 1) Bollard post is provided as shown. Concrete, foundation and/or installation ordered separately or provided by others.
 - 2) Minimum foundation sizes depend on local soil conditions, weather conditions, and engineering requirements.
 - 3) Dimensions provided herein is for reference only. Please consult Reliance Foundry sales professionals if any dimension is critical to your particular installation.
 - 4) Reliance Foundry reserves the right to amend design and specifications without prior notice for product improvement.

PARTS LIST			
ITEM	QTY	PART NUMBER	DESCRIPTION
1	1	84024301	BASE
2	1	84004001	CAP
3	3	C00005	SET SCREW, FLAT-3/8 X 3/8
4	3	C00006	PLUG, FLAT TIP-3/8 SET SCREW



Unit 207, 6450 - 148 Street, Surrey, BC V3S 7G7, Canada
 1-877-789-3245 info@reliance-foundry.com
www.reliance-foundry.com

TITLE			
BOLLARD 8402-43AA			
SIZE	DWG NO	REV	
C	8402200-00	A00	