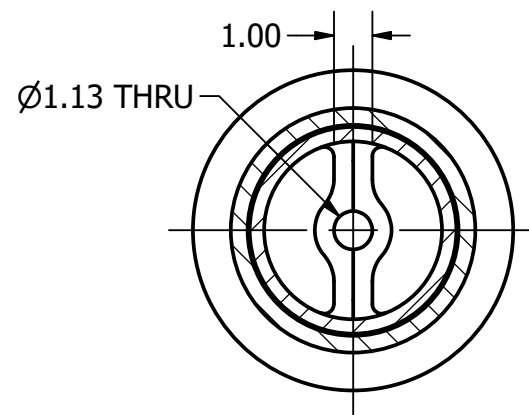
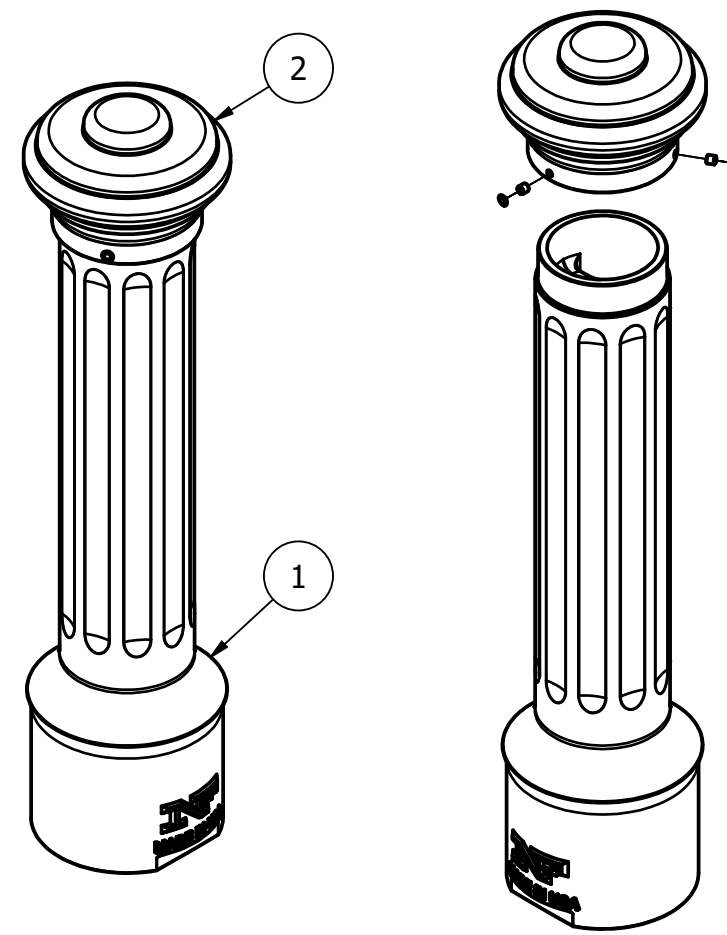


BOLLARD 8401-43DB

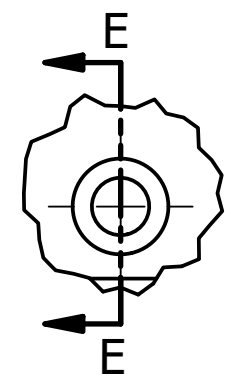


SECTION F-F
SCALE 1/5

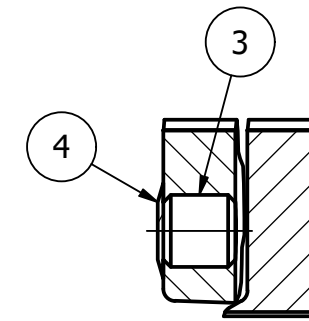


ISOMETRIC VIEW

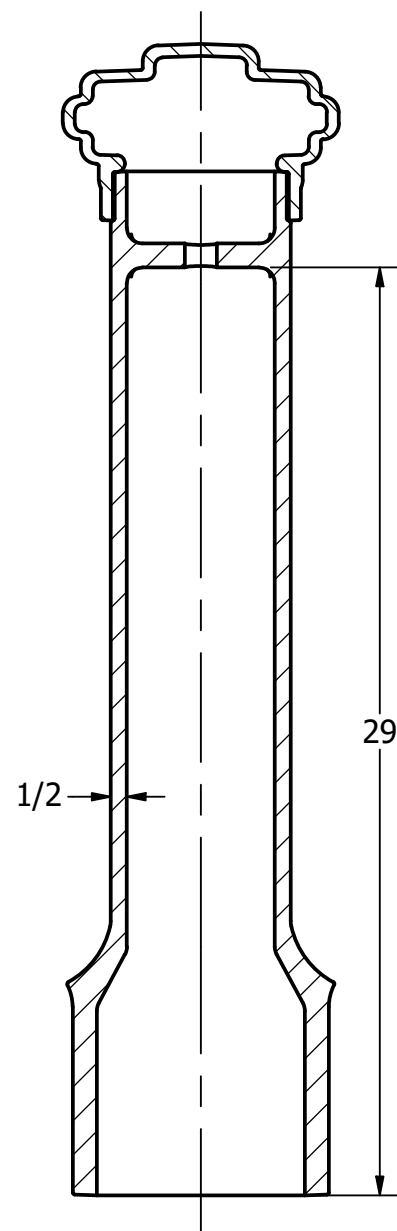
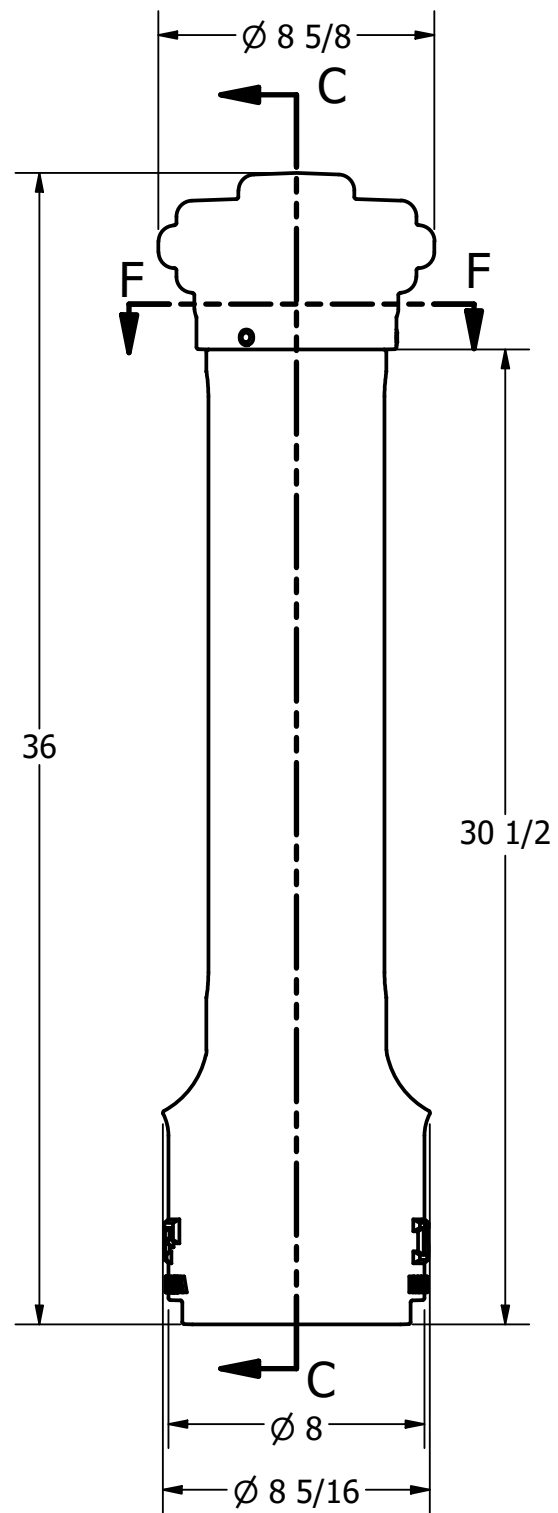
ISOMETRIC VIEW



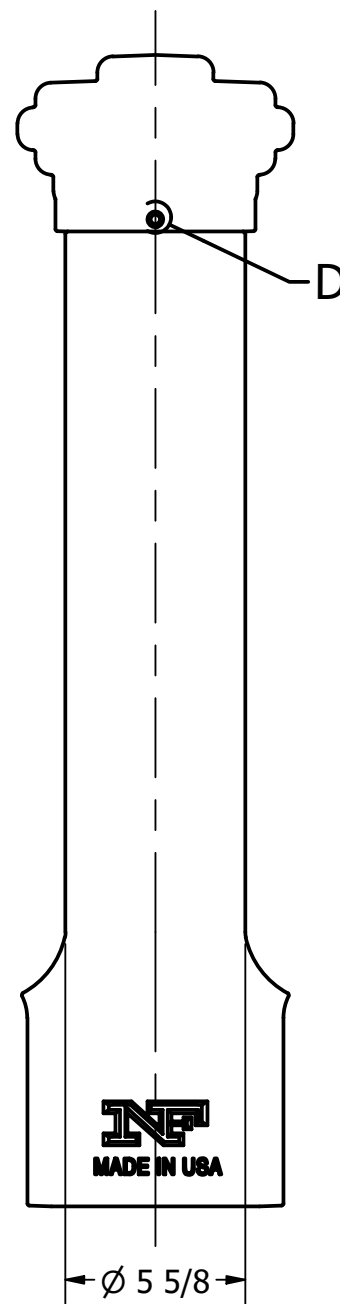
DETAIL D
SCALE 1 / 1
3 PLACES



SECTION E-E
SCALE 1 / 1



SECTION C-C
SCALE 1 / 6



SECTION C-C
SCALE 1 / 6

General Description:

Reliance Foundry's 8401-43DB decorative bollards are made from cast iron, while black powder-coating provides bollard surfaces with extra protection against corrosion. The 8401-43DB has an elegant silhouette with a corniced top casting. Use as fixed, stand-alone bollards or slide over impact-resistant security posts to beautify them instantly. Removable options also exist using premium retractable mountings (please contact us for details). The 8401-43DB is American-made, and meets all Buy America and Buy American Acts requirements.

Specifications:

Height : 36
Base Diameter : 8"
Weight : 101 lbs (Bollard only)
Material : ASTM A-48, CLASS 35B

Finish Options:

☉ Polyester Powdercoated

See Reliance Foundry's standard color options at:
www.reliance-foundry.com/bollard/colors-bollards

Care and Maintenance:

Reliance's line of bollards are finished with a long-lasting powder-coating. Proper care and maintenance are required. Regularly-performed inspections and routine cleaning will ensure that a bollard retains its aesthetic appeal and does not become damaged by the elements.

See Reliance Foundry's maintenance guide at:
www.reliance-foundry.com/bollard/maintenance-bollards

Notes:

- 1) Bollard post is provided as shown. Concrete, foundation and/or installation ordered separately or provided by others.
- 2) Minimum foundation sizes depend on local soil conditions, weather conditions, and engineering requirements.
- 3) Dimensions provided herein is for reference only. Please consult Reliance Foundry sales professionals if any dimension is critical to your particular installation.
- 4) Reliance Foundry reserves the right to amend design and specifications without prior notice for product improvement.

PARTS LIST			
ITEM	QTY	PART NUMBER	DESCRIPTION
1	1	84014302	BASE
2	1	84004004	CAP
3	3	C00005	SET SCREW, FLAT-3/8 X 3/8
4	3	C00006	PLUG, FLAT TIP-3/8 SET SCREW



Unit 207, 6450 - 148 Street, Surrey, BC V3S 7G7, Canada
1-877-789-3245 info@reliance-foundry.com
www.reliance-foundry.com

TITLE

**BOLLARD
8401-43DB**

SIZE
C

DWG NO
8401354-00

REV
A00