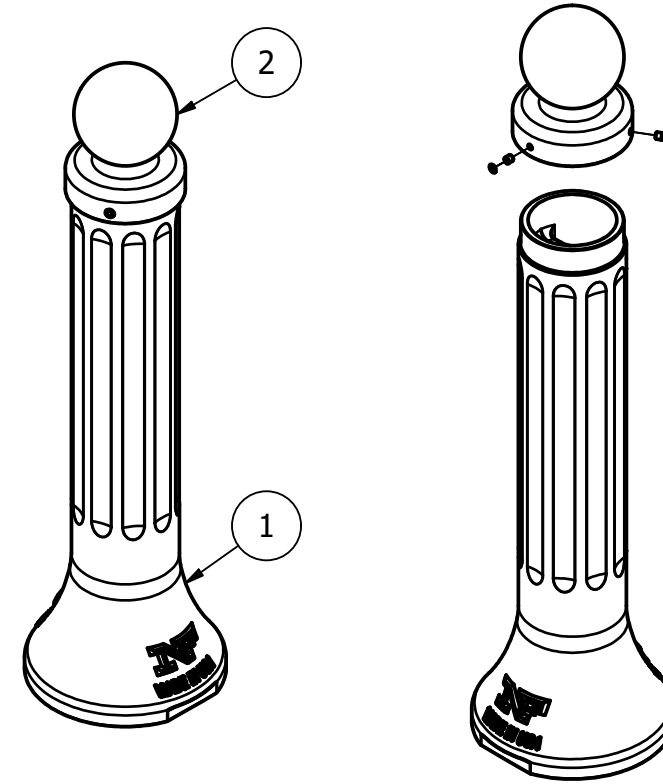
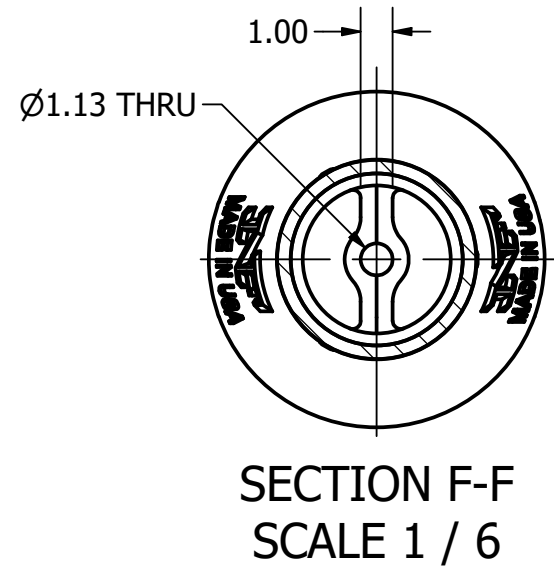


# BOLLARD 8401-43BC



ISOMETRIC VIEW ISOMETRIC VIEW

### General Description:

8401-43BC decorative bollards are made in the USA, and meet Buy America and Buy American Acts requirements. These bollards are composed of tough cast iron and topped with spherical castings for visual flair. A tapered silhouette with wider base makes for a refined appearance. Black powder-coating protects bollard surfaces from harsh weather conditions. Use to hide impact-resistant security pipes or use as fixed, stand-alone bollards. 8401-43BC bollards are versatile applications as they can be made removable using premium retractable mountings (contact us for details).

### Specifications:

Height : 38 1/16  
 Base Diameter : 10 1/2"  
 Weight : 86 lbs (Bollard only)  
 Material : ASTM A-48, CLASS 35B

### Finish Options:

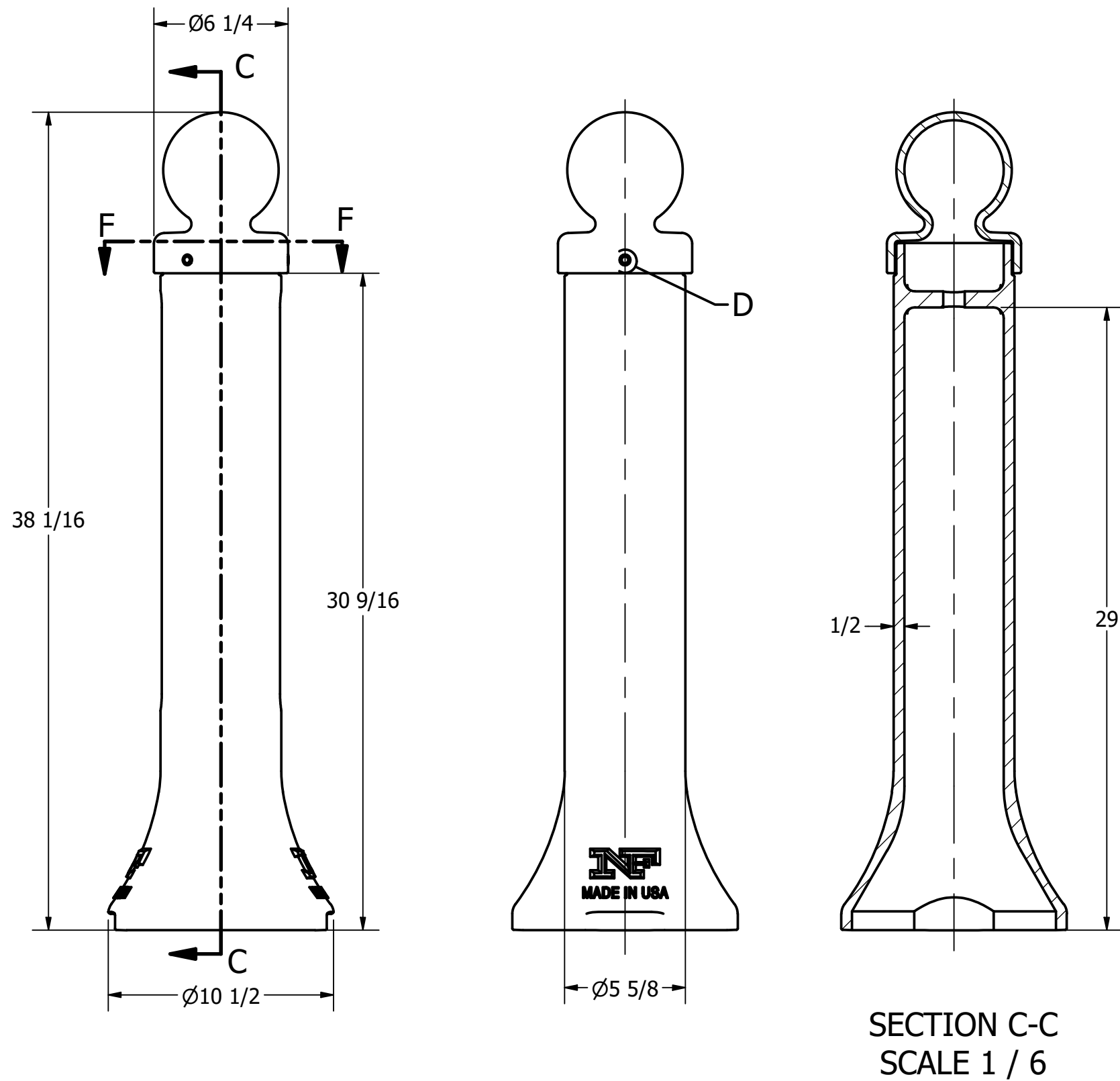
© Polyester Powdercoated

See Reliance Foundry's standard color options at:  
[www.reliance-foundry.com/bollard/colors-bollards](http://www.reliance-foundry.com/bollard/colors-bollards)

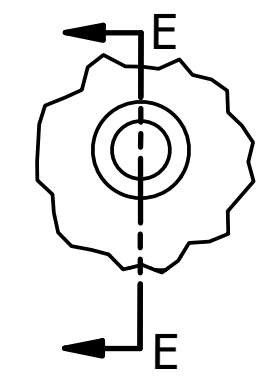
### Care and Maintenance:

Reliance's line of bollards are finished with a long-lasting powder-coating. Proper care and maintenance are required. Regularly-performed inspections and routine cleaning will ensure that a bollard retains its aesthetic appeal and does not become damaged by the elements.

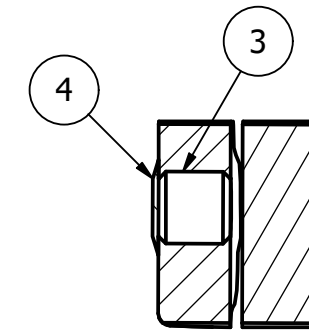
See Reliance Foundry's maintenance guide at:  
[www.reliance-foundry.com/bollard/maintenance-bollards](http://www.reliance-foundry.com/bollard/maintenance-bollards)



SECTION C-C SCALE 1 / 6



DETAIL D SCALE 1 / 1  
3 PLACES



SECTION E-E SCALE 1 / 1

- Notes:
- 1) Bollard post is provided as shown. Concrete, foundation and/or installation ordered separately or provided by others.
  - 2) Minimum foundation sizes depend on local soil conditions, weather conditions, and engineering requirements.
  - 3) Dimensions provided herein is for reference only. Please consult Reliance Foundry sales professionals if any dimension is critical to your particular installation.
  - 4) Reliance Foundry reserves the right to amend design and specifications without prior notice for product improvement.

PARTS LIST			
ITEM	QTY	PART NUMBER	DESCRIPTION
1	1	84014303	BASE
2	1	84004002	CAP
3	3	C00005	SET SCREW, FLAT-3/8 X 3/8
4	3	C00006	PLUG, FLAT TIP-3/8 SET SCREW



Unit 207, 6450 - 148 Street, Surrey, BC V3S 7G7, Canada  
 1-877-789-3245 info@reliance-foundry.com  
[www.reliance-foundry.com](http://www.reliance-foundry.com)

TITLE			
<b>BOLLARD 8401-43BC</b>			
SIZE	DWG NO	REV	
C	8401258-00	A00	
NOT TO SCALE		SHEET 1 OF 1	